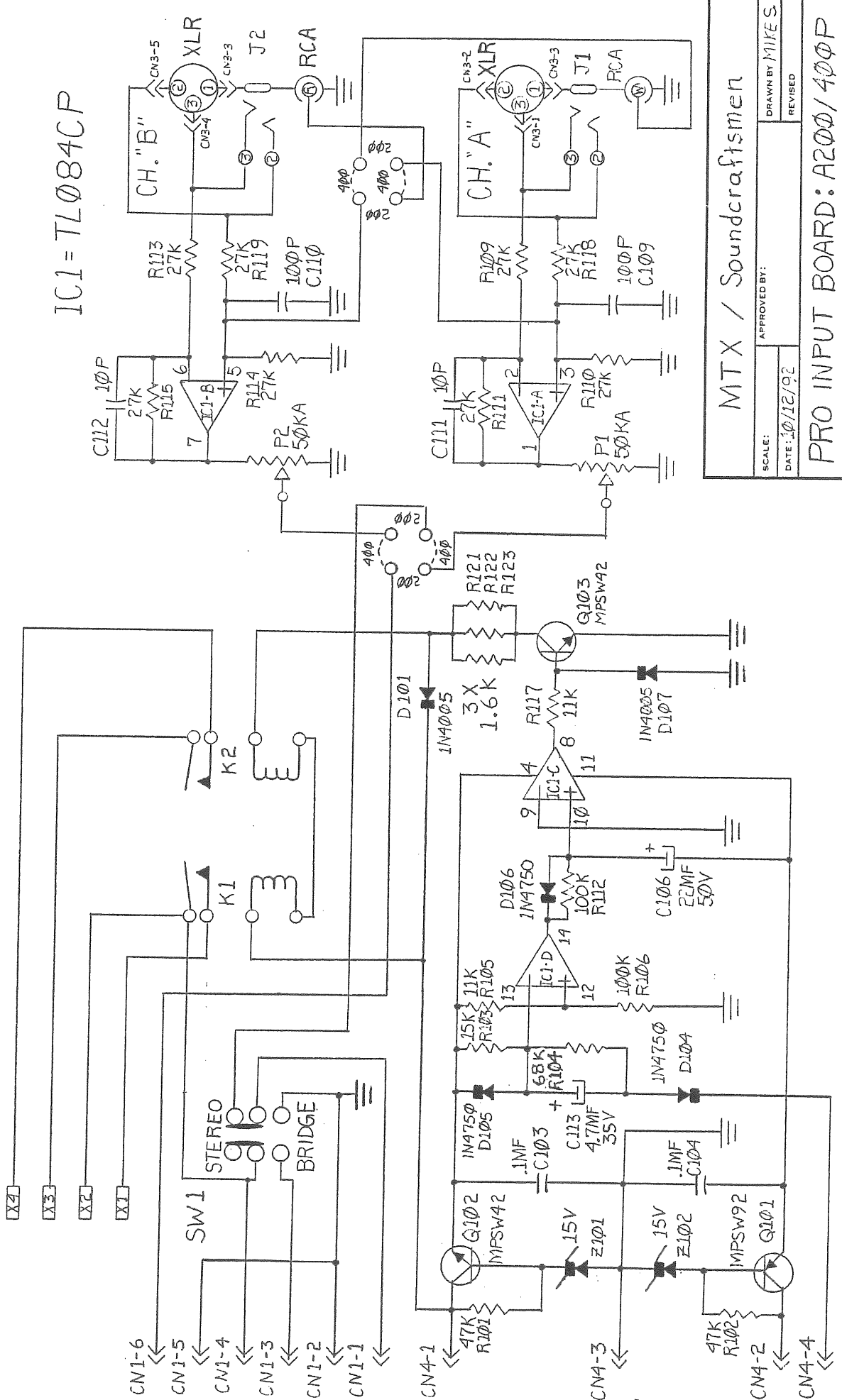


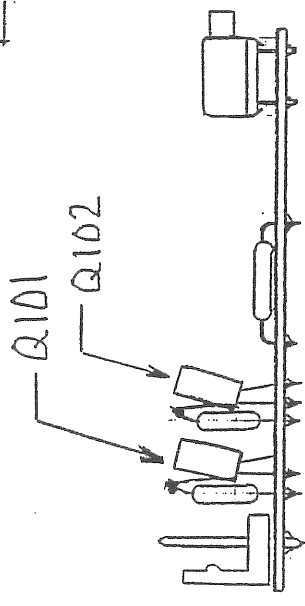
IC1 = TL084CP



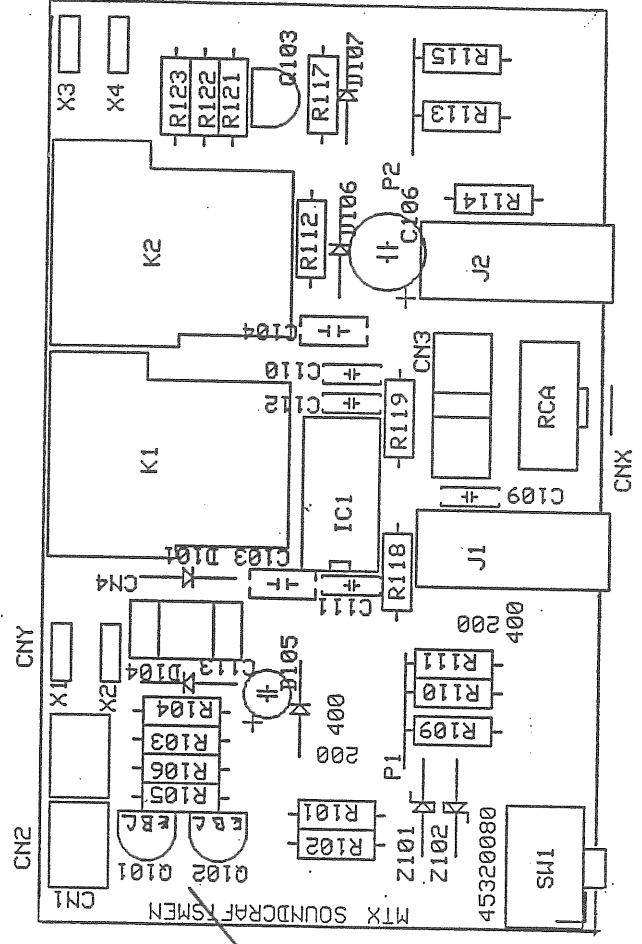
MTX / Soundcraftsmen	
SCALE:	APPROVED BY:
DATE: 10/12/92	DRAWN BY MIKES
	REVISED
PRO INPUT BOARD: A200/400P	
BOARD # 45320081	DRAWING NUMBER 2008

Notes:  
 Add a resistor to the  
 collector of Q101 & Q102.  
 On the A200PRD resistor  
 value = 3.9K 1/2 W.  
 On the A400PRD resistor  
 value = 2.2K 1/2 W.

AREA IN DETAIL.



Components not shown for clarity.



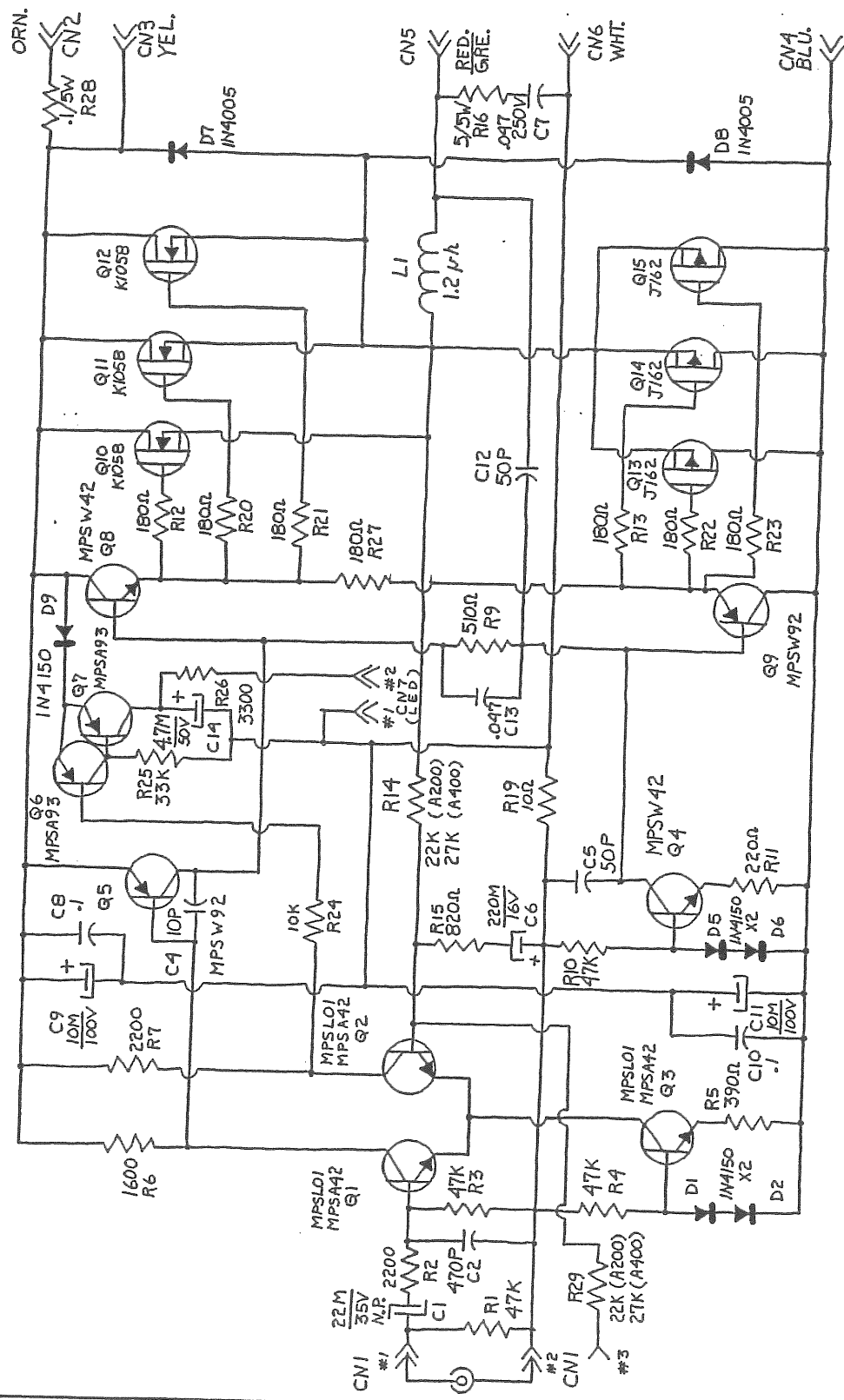
# MTX SOUND CRAFTSMEN

## A200 & A400 PRO INPUT BOARD MODS

DO NOT SCALE THIS DRAWING. IT IS A PICTORIAL REPRESENTATION OF WIRES AND THEIR TERMINATIONS. FOR WIRE SIZE INFORMATION PLEASE REFER TO THE BILL OF MATERIAL.

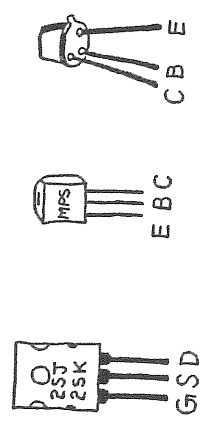
≈ 1/11/93

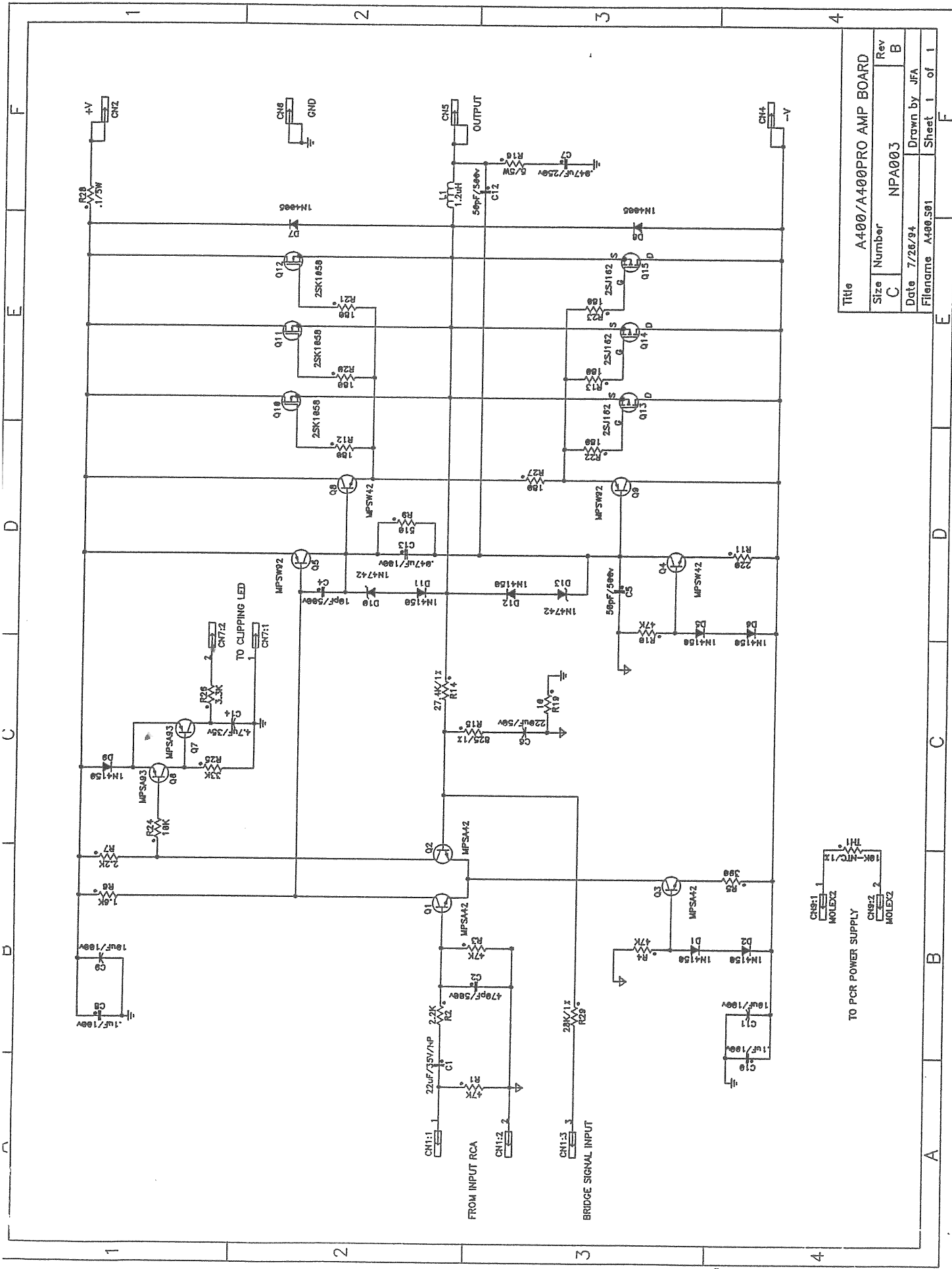
Recalled all for modification



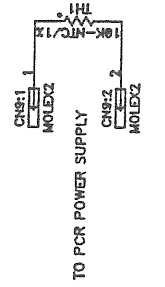
MTX Soundcraftsmen  
 SCALE: NO  
 DATE: 9/3/91  
 APPROVED BY: M.S.  
 REVISION: 3/1/92  
 Schematic: AMPLIFIER BOARD 9444  
 A200, A400  
 1997

NOTES:  
 ONLY ONE CHANNEL IS SHOWN  
 CAPACITOR VALUES IN MICROFARADS.  
 RESISTOR VALUES IN OHMS ±5% %W.  
 UNLESS OTHERWISE SPECIFIED.



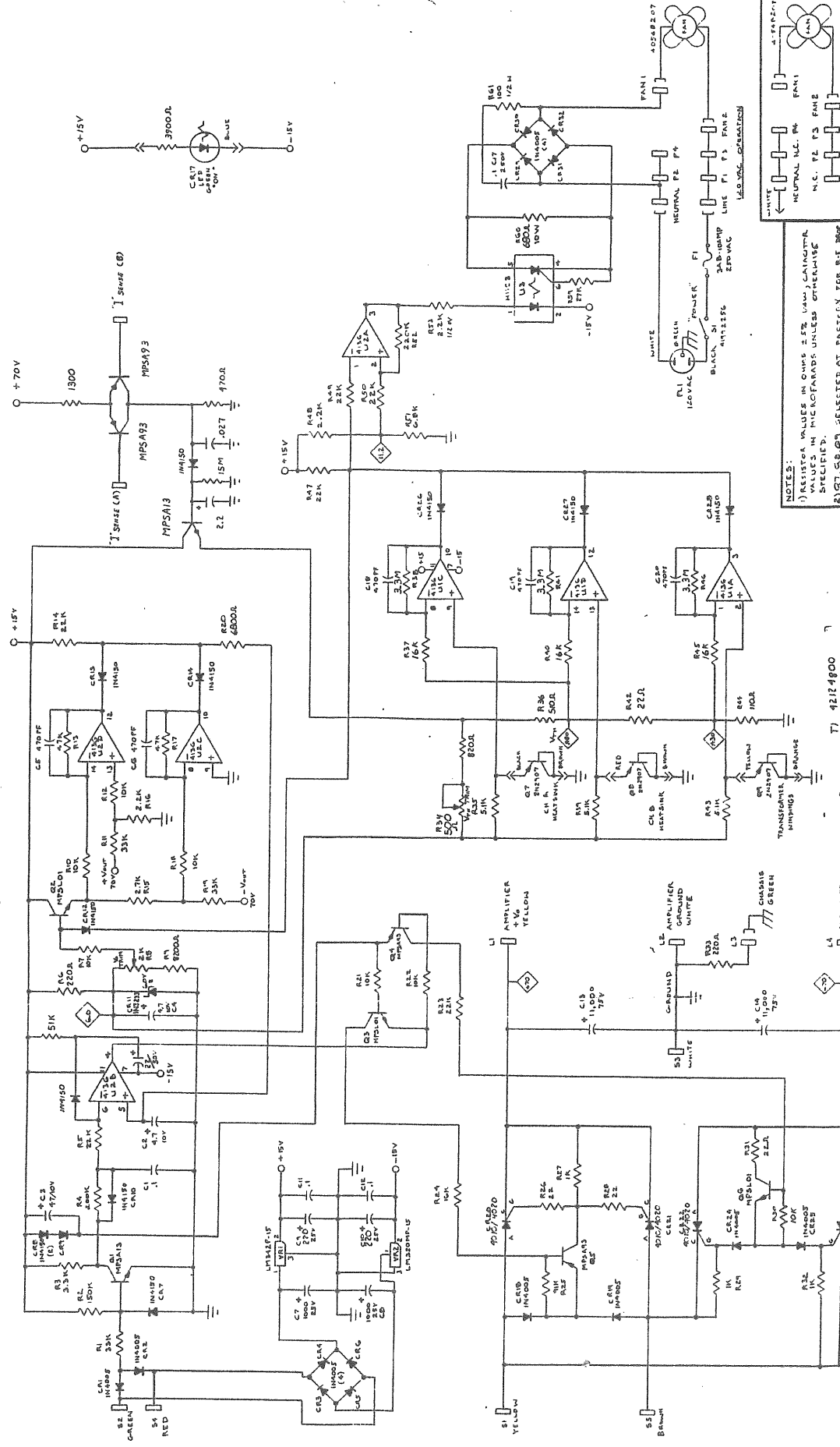


Title		A400/A400PRO AMP BOARD	
Size	Number	Rev	B
C	NPA003	Date	7/26/94
Filename		A400.501	
Drawn by		JFA	
Sheet		1 of 1	



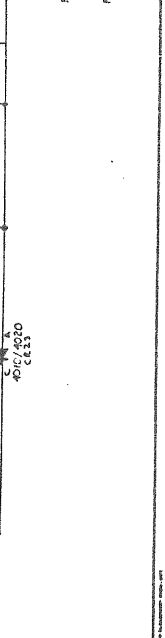
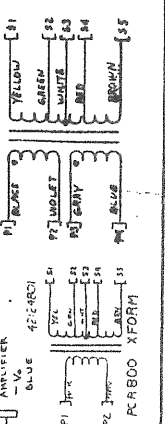
TO PCR POWER SUPPLY

**POWER SUPPLY BOARD #1700-F for amplifier models PCR800, PM860, PRO-POWER ONE, PRO-POWER THREE, PRO-POWER FOUR, DJ900 and 450X2.**

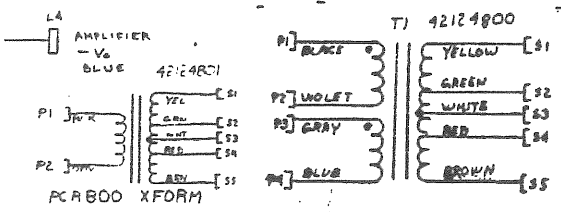
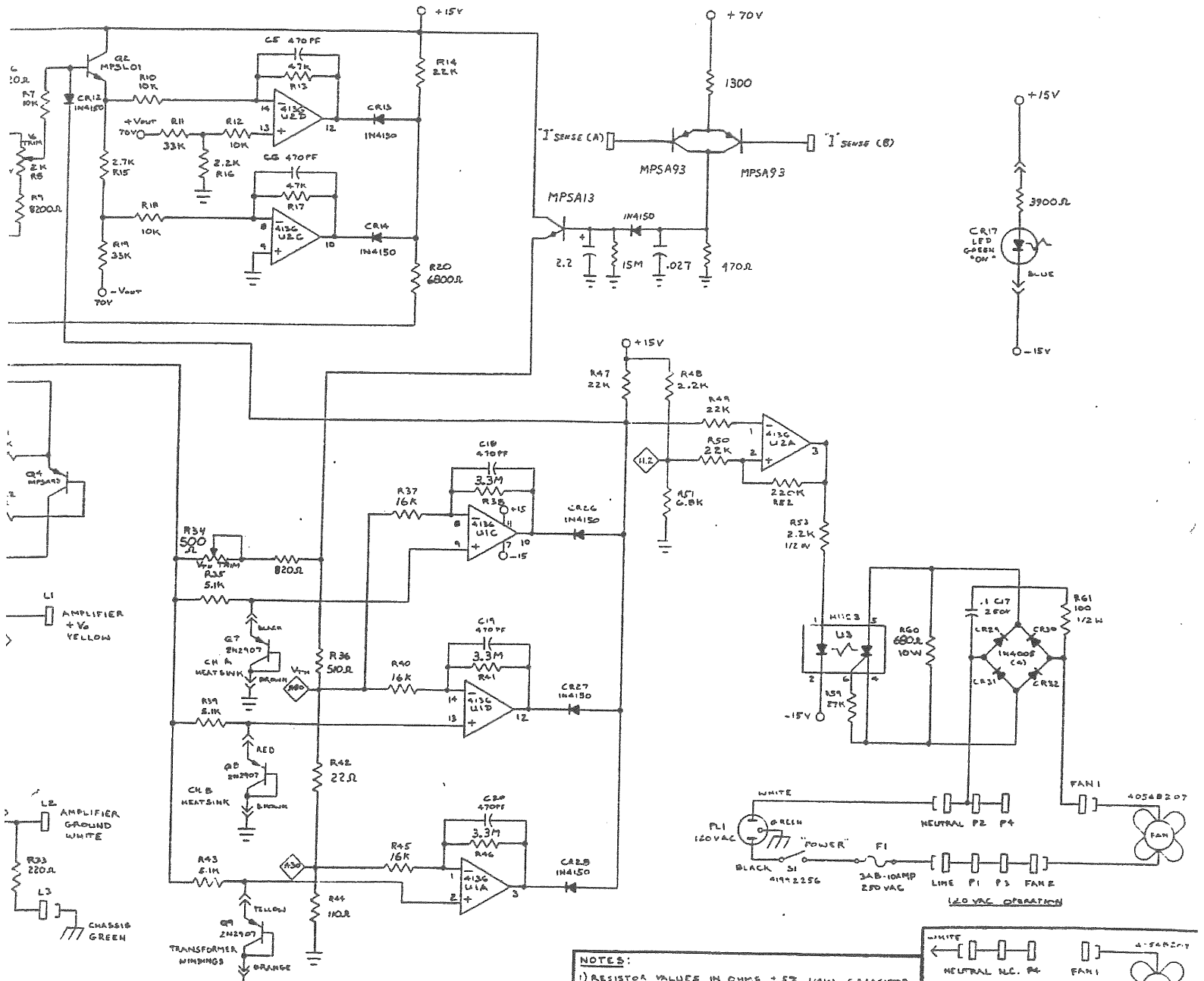


**NOTES:**  
 1) RESISTOR VALUES IN OHMS ± 5% UNLESS OTHERWISE SPECIFIED.  
 2) CAPACITORS INDICATED BY THE LETTERS C1 THROUGH C15 ARE TO BE USED UNLESS OTHERWISE SPECIFIED.  
 3) TRANSISTORS INDICATED BY THE LETTERS T1 THROUGH T2 ARE TO BE USED UNLESS OTHERWISE SPECIFIED.  
 4) FOR THE TRANSISTORS, THE LETTERS IN PARENTHESES INDICATE THE TYPE OF TRANSISTOR TO BE USED (PARALLEL).  
 TRANSISTOR FINISHES:  
 MPA113 40C/40D  
 MPA115 40C/40D  
 MPA117 40C/40D  
 MPA119 40C/40D

MODEL: 1707	AMPLIFIER
SCHEMATIC: POWER SUPPLY BOARD #1700	
SUNDRAMARTMEN, INC.	
MADE IN U.S.A.	
DATE: 6-15-79	
DRAWN BY: [Signature]	
CHECKED BY: [Signature]	



-F for amplifier models PCR800, PM840, PM860, PRO-POWER ONE, THREE, PRO-POWER FOUR, DJ900 and 450X2.



**NOTES:**

- 1) RESISTOR VALUES IN OHMS 5% TOL, CAPACITOR VALUES IN MICROFARADS UNLESS OTHERWISE SPECIFIED.
- 2) CR7, CR8, CR9 SELECTED AT FACTORY FOR B-E DROF.
- 3) DIAMONDS INDICATE D.C. TEST VOLTAGES REFERENCED TO GROUND UNDER IDLE CONDITIONS.
  - 1) FOR 120 VOLT OPERATION: THE PC AND P3 TOGETHER (SERIES).
  - 2) FOR 120 VOLTS: THE PC AND P1 TOGETHER AND P1 AND P3 TOGETHER (PARALLEL).

TRANSISTOR FINOUT :

MPSA13  
MPSA93  
MPSA91  
2N2907

4010/4020  
12410  
S.C.R.

EBG CAG

WHITE NEUTRAL N.C. P2 P3 FAN2 FAN1

BLACK 31 41972256 3AB-10AMP 250 VAC LINE F1 P1 P3 FAN2 FAN1

120 VAC OPERATION

**SOUNDCRAFTSMEN, INC.**

SCALE	APPROVED BY	DATE
		6-15-91

**SCHEMATIC : POWER SUPPLY BOARD - 1**

MODEL : AMPLIFIER 170

# POWER SUPPLY BOARD #1700-F for amplifier models PCR80C PRO-POWER THREE, PRO-POWER FOUR, DJ

