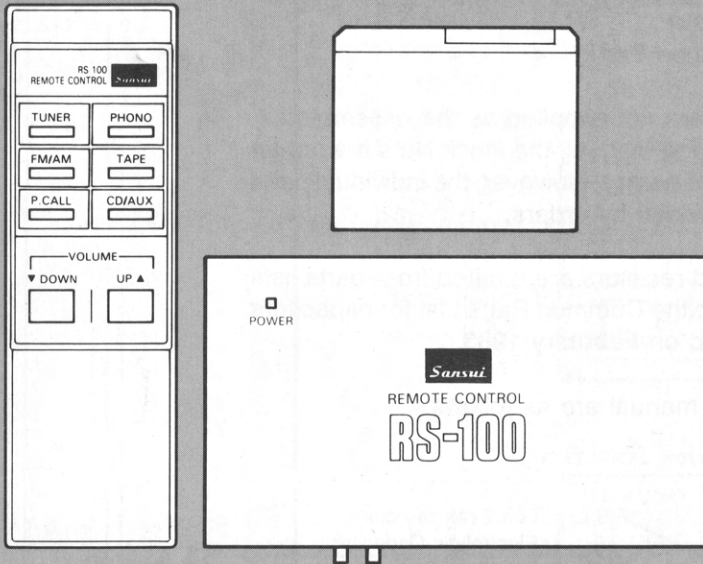


SERVICE MANUAL

REMOTE CONTROL SANSUI RS-100



•SPECIFICATIONS

Input sensitivity and impedance (1 kHz)

SOURCE IN 150 mV/100 kohms

Output level (1 kHz)

REC 150 mV

SOURCE OUT 85 mV

(Max. output level; 0.8V at 1 kHz, less than 0.5% total harmonic distortion)

Total harmonic distortion (1 kHz, 0.3V)

SOURCE IN 0.15%

Frequency response (0.5V)

SOURCE IN 10 Hz ~ 100 kHz,
+1 dB, -2 dB

Signal to noise ratio (Short-circuit, A-network)

SOURCE IN 55 dB

Channel separation (1 kHz)

SOURCE IN 60 dB

Power requirements 110 ~ 120V/220 ~ 240V (50/60 Hz)

For U.S.A. and Canada

..... 120 V (60 Hz)

Power consumption 2 watts

Dimensions (Main unit) ... 150 mm (5-15/16") W

60 mm (2-3/8") H

95 mm (3-3/4") D

Weight (Main unit) 0.6 kg (1.3 lbs) net

* Design and specifications subject to change without notice for improvements.

* Due to local laws and regulations, this unit sold in some areas are not equipped with variable voltage selectors

CAUTION

1. Parts identified by the \triangle symbol on the schematic diagram and the parts list are critical for safety. Use only replacement parts that have critical characteristics recommended by the manufacturer.
2. Make leakage-current or resistance measurements to determine that exposed parts are acceptably insulated from the supply circuit before returning the appliance to the customer.

Sansui

SANSUI ELECTRIC CO., LTD.

CAUTION

1. The symbols, UL, CSA, SA, BS, UK, EU, AS, XX <EXPORT> and XX-V <EXPORT(V)> on the parts list and the schematic diagram mean followings respectively.
 - UL..... Manufactured for U.S.A market.
(Underwriters Laboratories approved model.)
 - CSA Manufactured for Canadian market.
 - SA..... Manufactured for South African market.
 - BS, UK..... Manufactured for United Kingdom market.
 - EU Manufactured for European market.
 - AS..... Manufactured for Australian market.
 - XX <EXPORT> Standard Version with Inner Voltage Selector.
 - XX-V <EXPORT(V)> Standard Version with Outer Voltage Selector.
 - NON MARK Common Parts.

2. Some printed circuit boards are not supplied as the assembled. To separate these in this service manual, the stock No's are not indicated at the ends of the board names. However, the individual parts on the circuit boards are provided by orders.

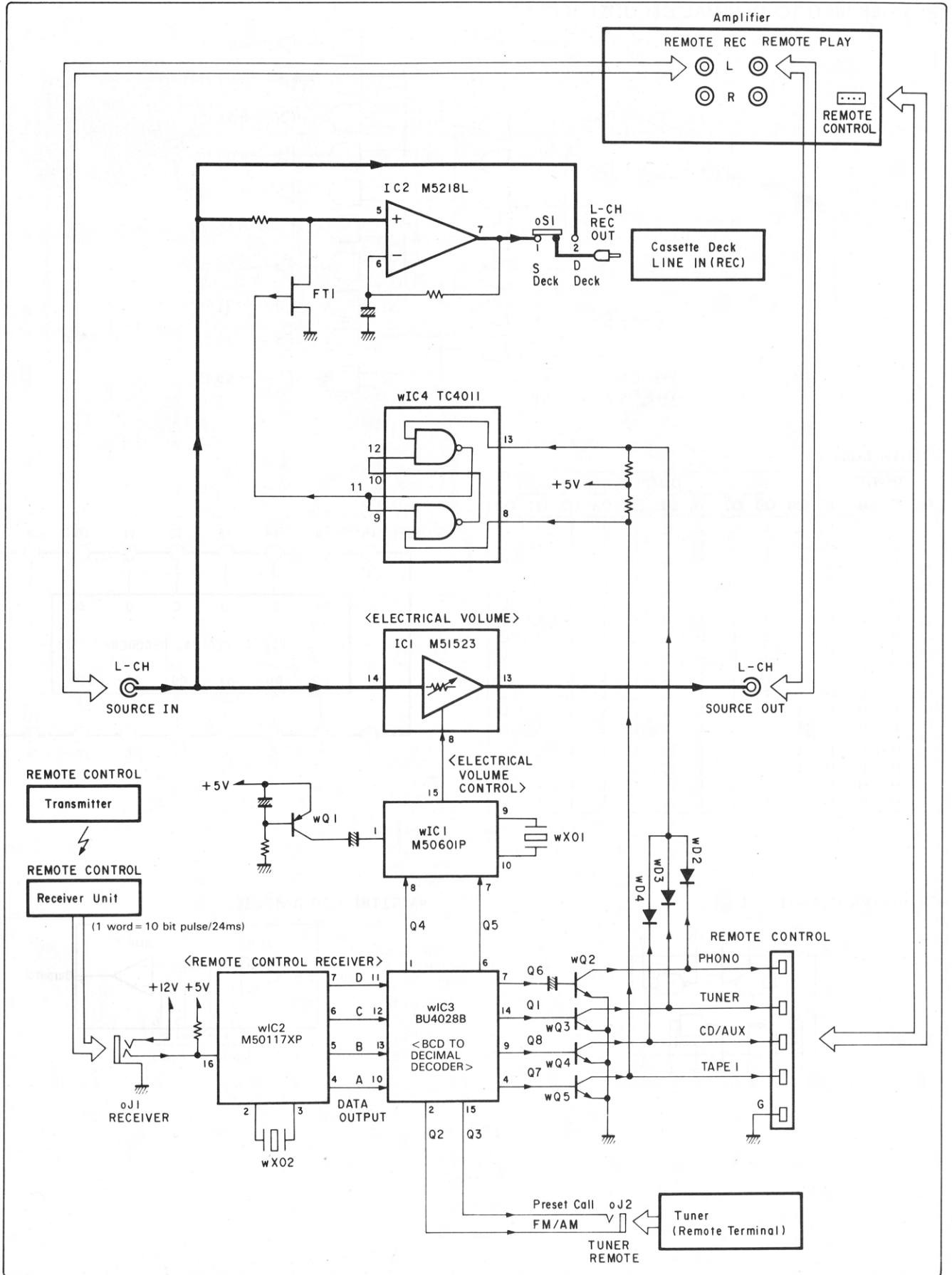
3. Since some of capacitors and resistors are omitted from parts lists in this service manual, refer to the Common Parts List for capacitors & resistors, which was issued on February 1983.

4. Abbreviations in this service manual are as follows.

•Abbreviations List

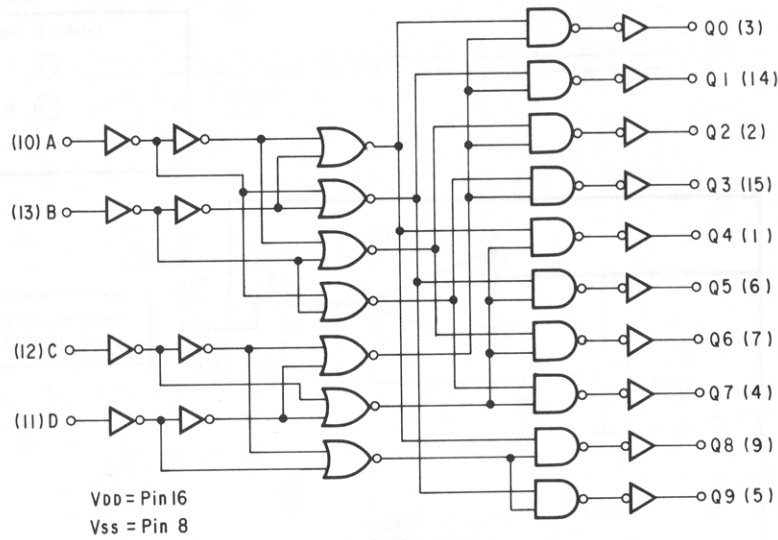
C.R. : Carbon Resistor	E.B.L. : Low Leak Bi-Polar Electrolytic Capacitor
S.R. : Solid Resistor	Ta.C. : Tantalum Capacitor
Ce.R. : Cement Resistor	F.C. : Film Capacitor
M.R. : Metal Film Resistor	M.P. : Metalized Paper Capacitor
F.R. : Fusing Resistor	P.C. : Polystyrene Capacitor
N.I.R. : Non-Inflammable Resistor	G.C. : Gimmic Capacitor
A.R. : Array Resistor	A.C. : Array Capacitor
C.C. : Ceramic Capacitor	V.R. : Variable Resistor
C.T. : Ceramic Capacitor, Temperature Compensation	S.V.R. : Semi Variable Resistor
E.C. : Electrolytic Capacitor	SW. : Switch
E.L. : Low Leak Electrolytic Capacitor	Chip R. : Chip Resistor
E.B. : Bi-Polar Electrolytic Capacitor	Chip C. : Chip Capacitor

1. BLOCK DIAGRAM



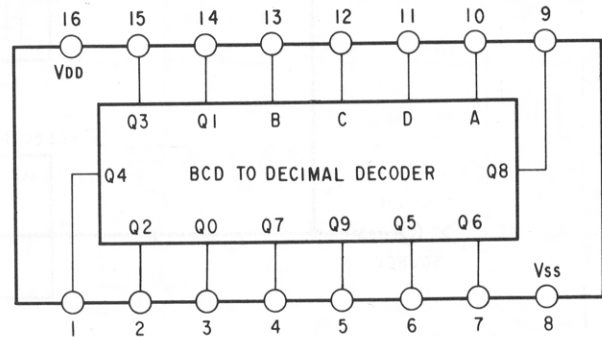
2. INTERIOR BLOCK DIAGRAM OF IC

•BU4028B (BCD TO DECIMAL DECODER IC)

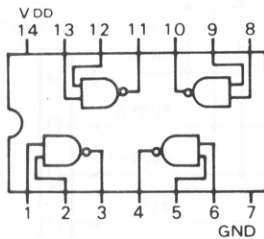


< TRUTH TABLE >

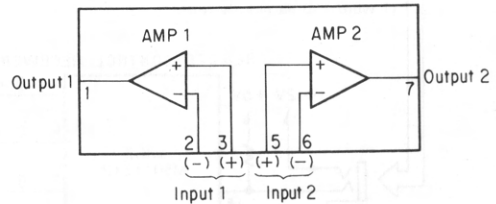
INPUT				OUTPUT									
D	C	B	A	Q9	Q8	Q7	Q6	Q5	Q4	Q3	Q2	Q1	Q0
L	L	L	L	L	L	L	L	L	L	L	L	L	H
L	L	L	H	L	L	L	L	L	L	L	L	H	L
L	L	H	L	L	L	L	L	L	L	H	L	L	L
L	L	H	H	L	L	L	L	L	L	H	L	L	L
L	H	L	L	L	L	L	L	H	L	L	L	L	L
L	H	L	H	L	L	L	L	H	L	L	L	L	L
L	H	H	L	L	L	L	H	L	L	L	L	L	L
L	H	H	H	L	L	H	L	L	L	L	L	L	L
H	L	L	L	L	H	L	L	L	L	L	L	L	L
H	L	L	H	L	H	L	L	L	L	L	L	L	L
H	L	H	L	L	L	L	L	L	L	L	L	L	L
H	L	H	H	L	L	L	L	L	L	L	L	L	L
H	H	L	L	L	L	L	L	L	L	L	L	L	L
H	H	L	H	L	L	L	L	L	L	L	L	L	L
H	H	H	L	L	L	L	L	L	L	L	L	L	L
H	H	H	H	L	L	L	L	L	L	L	L	L	L



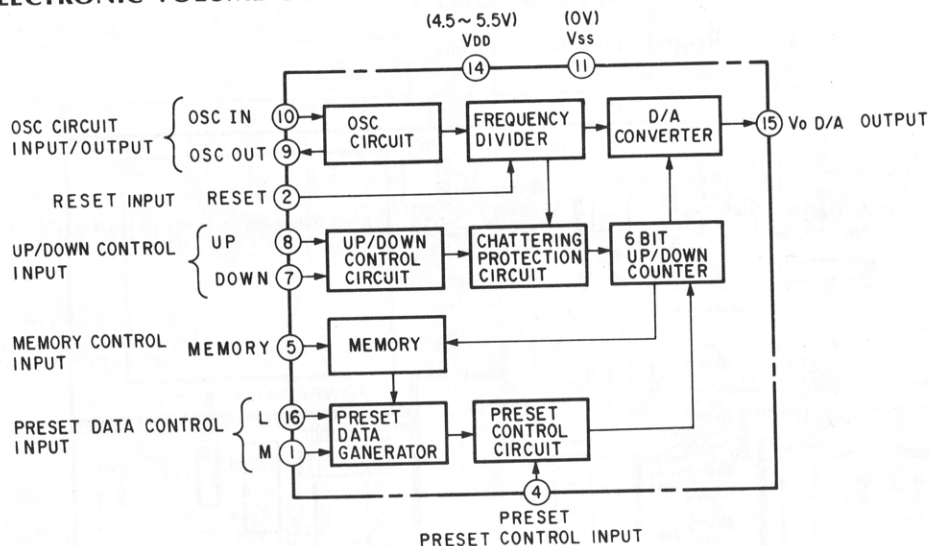
•TC4011RS (NAND1~4)



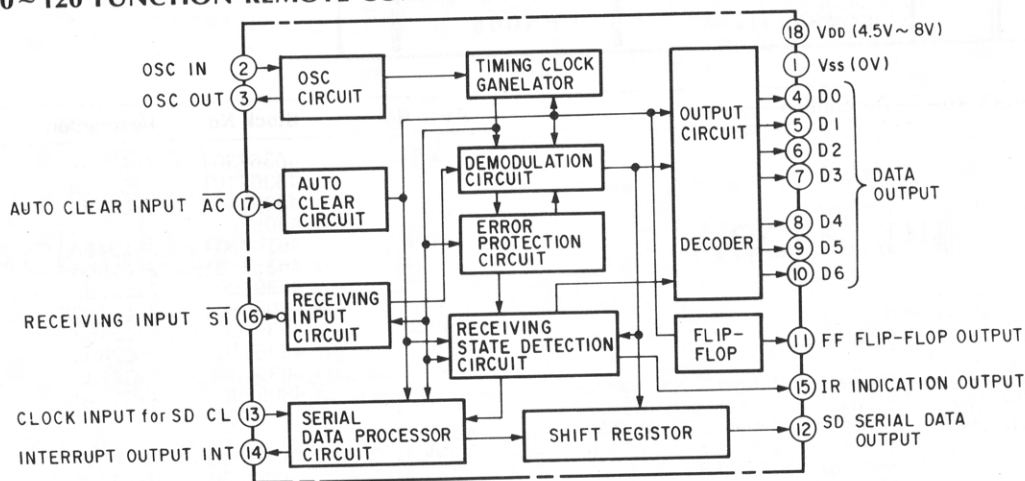
•M5218L (OP AMP. IC)



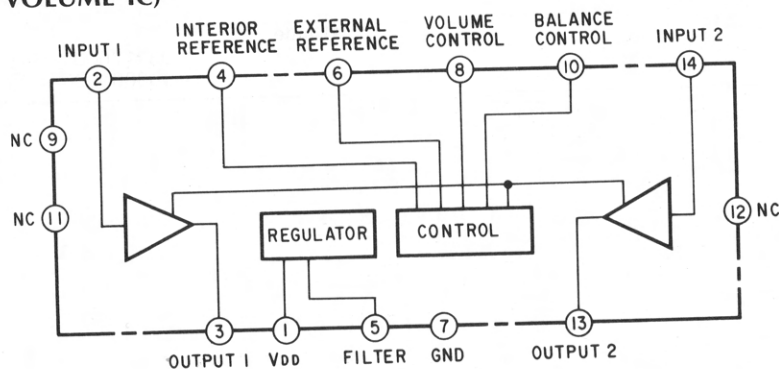
•M50601P (ELECTRONIC VOLUME CONTROL D/A CONVERTER IC)



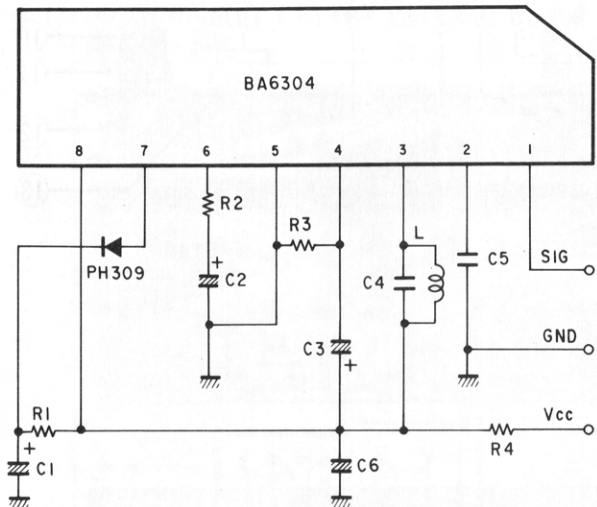
•M50117XP (30~120 FUNCTION REMOTE-CONTROL RECEIVER)



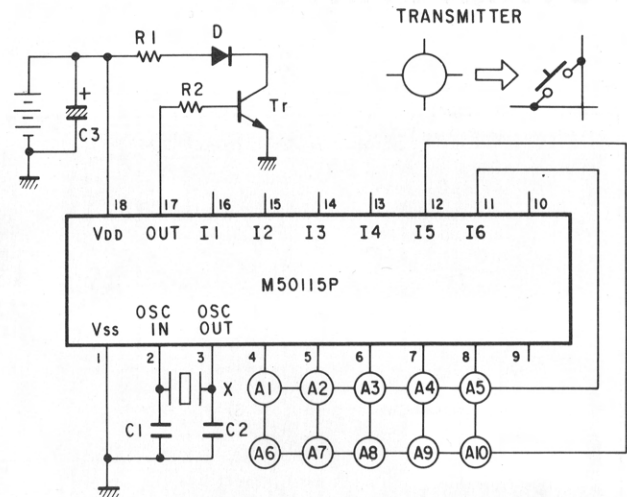
•M51523L (ELECTRICAL VOLUME IC)



•SCHEMATIC DIAGRAM OF REMOTE CONTROL RECEIVER

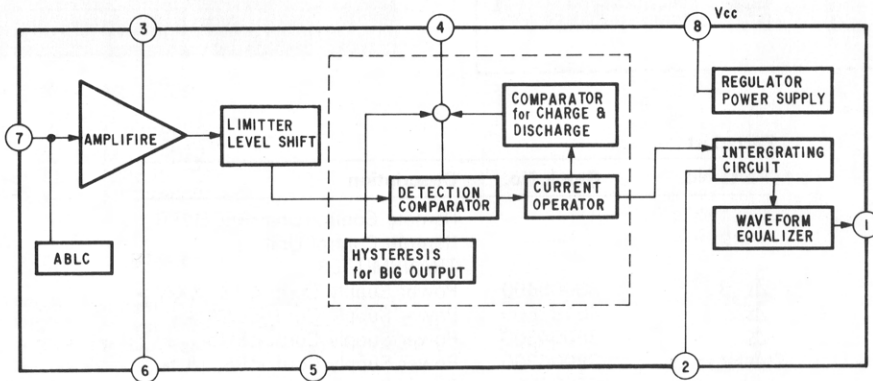


•SCHEMATIC DIAGRAM OF TRANSMITTER

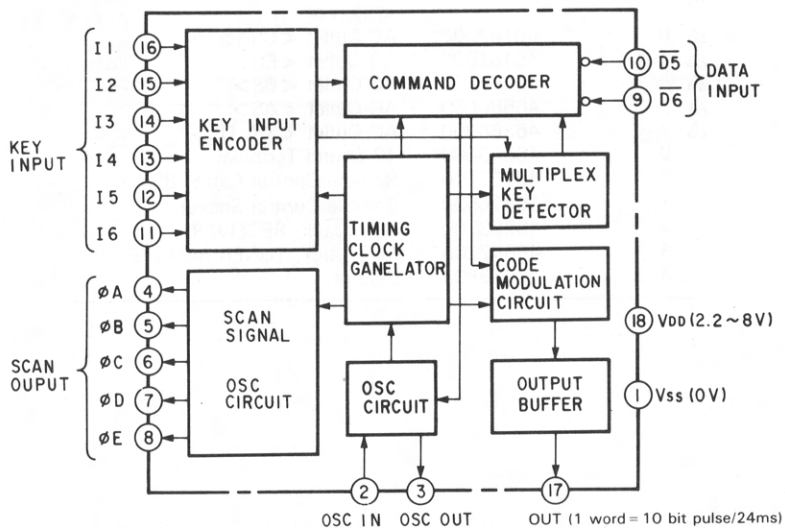


- A1 : TUNER
- A2 : FM/AM
- A3 : PRESET CALL
- A4 : VOLUME UP
- A5 : VOLUME DOWN
- A6 : PHONO
- A7 : TAPE
- A8 : CD/AUX

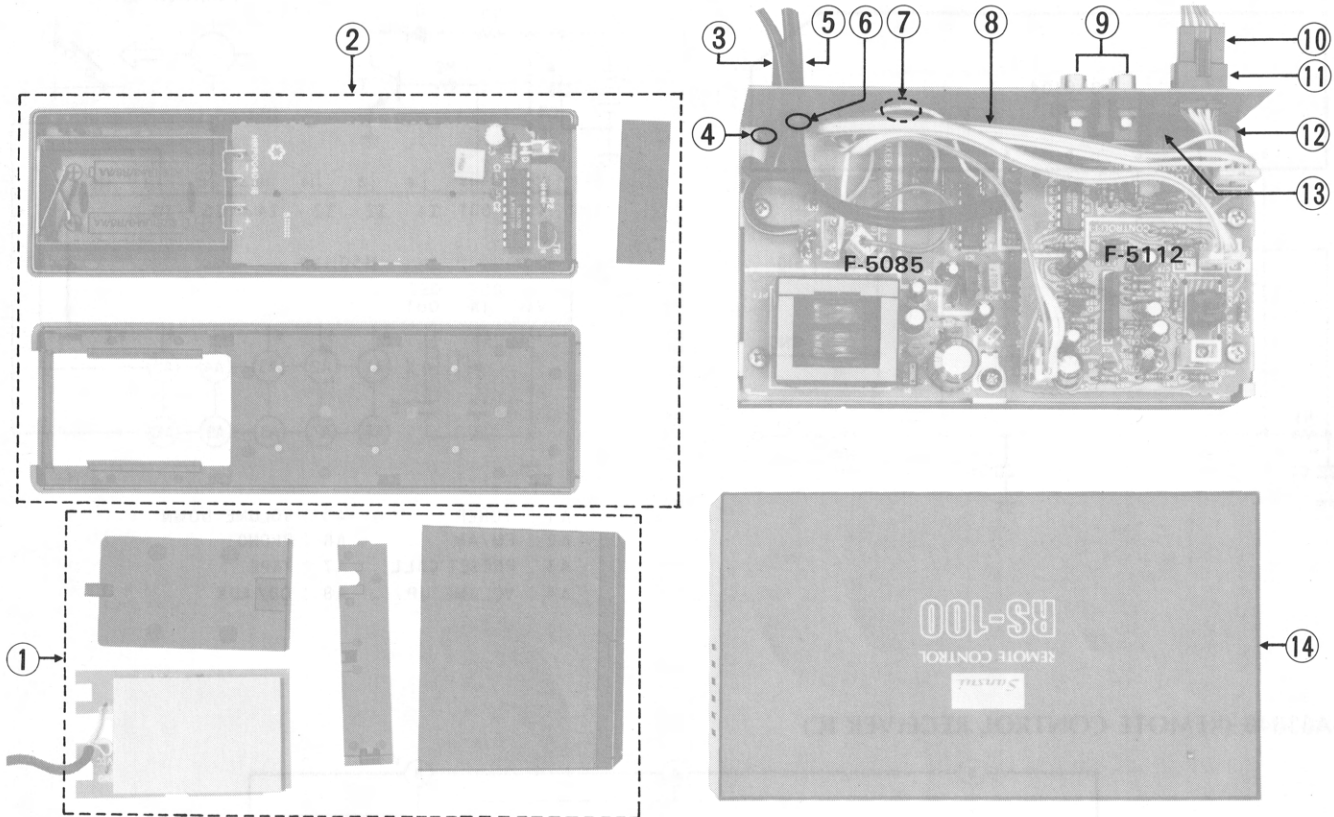
•BA63040 (REMOTE CONTROL RECEIVER IC)



•M50115P (REMOTE CONTROL TRANSMITTER IC)



3. OTHER PARTS



Parts List

Parts No.	Stock No.	Description
1	—	Remote Control Unit, RECEIVER
2	—	Remote Control Unit, TRANSMITTER
△ 3	38005400	Power Supply Cord <XX, XX-V>
△	48187600	Power Supply Cord <CSA>
△	38004500	Power Supply Cord <EU>
△	38004300	Power Supply Cord <BS, UL>
△	07204200	Power Supply Cord <AS>
4	39106000	Strain Relief <XX, XX-V, CSA, UL>
	39104900	Strain Relief <EU, BS, AS>
5	48238400	Output Cord (REC)
6	39106000	Strain Relief
7	46533500	Slide SW., Voltage Selector <XX-V>
△ 8	48184000	AC Outlet <CSA>
△	46161000	AC Outlet <EU>
△	46364800	AC Outlet <BS>
△	46580600	AC Outlet <AS>
△	46364900	AC Outlet <XX, UL>
9	46363800	4P Sound Terminal
10	48197700	Remote Control Cable, 80 cm
11	16416500	Remote Control Socket
12	48223700	MIN. Jack, RECEIVER
13	46547200	MIN. Jack, TUNER REMOTE
14	47913800	Bonnet

4. P

4-1. F
Co

Parts Lis

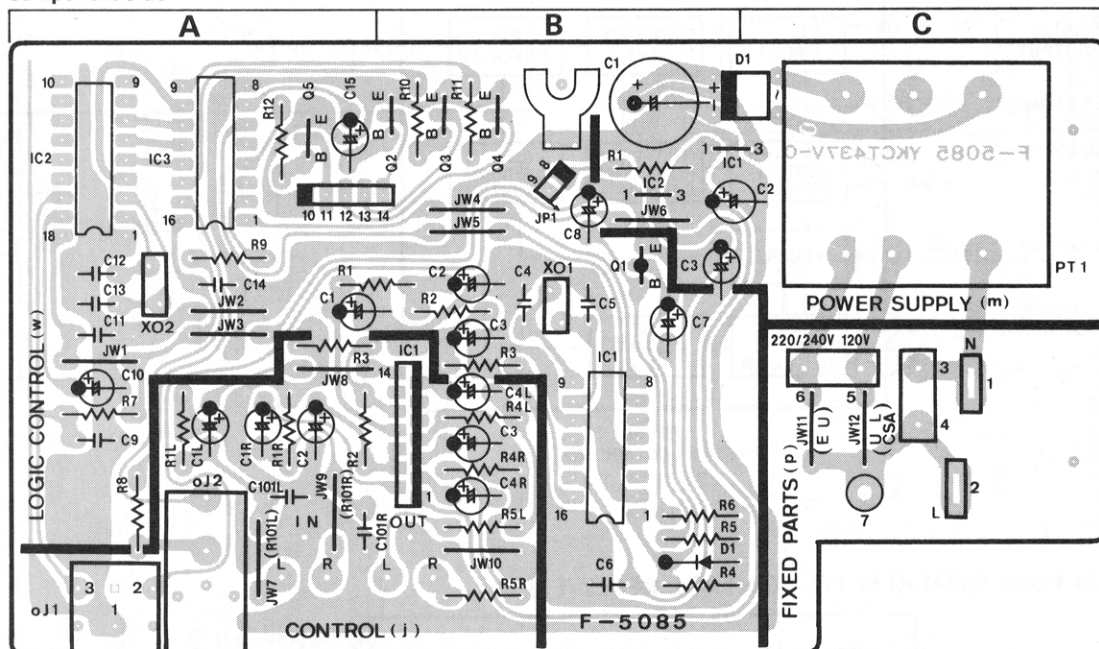
Parts N

- IC
jIC1
- △ mIC1
- △
- △ mIC2
- △
- Diode
- △ mD1
- △ mPT
- △
- △
- oJ1
- oJ2
- Transi
- wQ1
- wQ1
- wQ2

4. PARTS LOCATION & PARTS LIST

4-1. F-5085 Remote Control Receiver Board (Stock No. 00907001)

Component Side

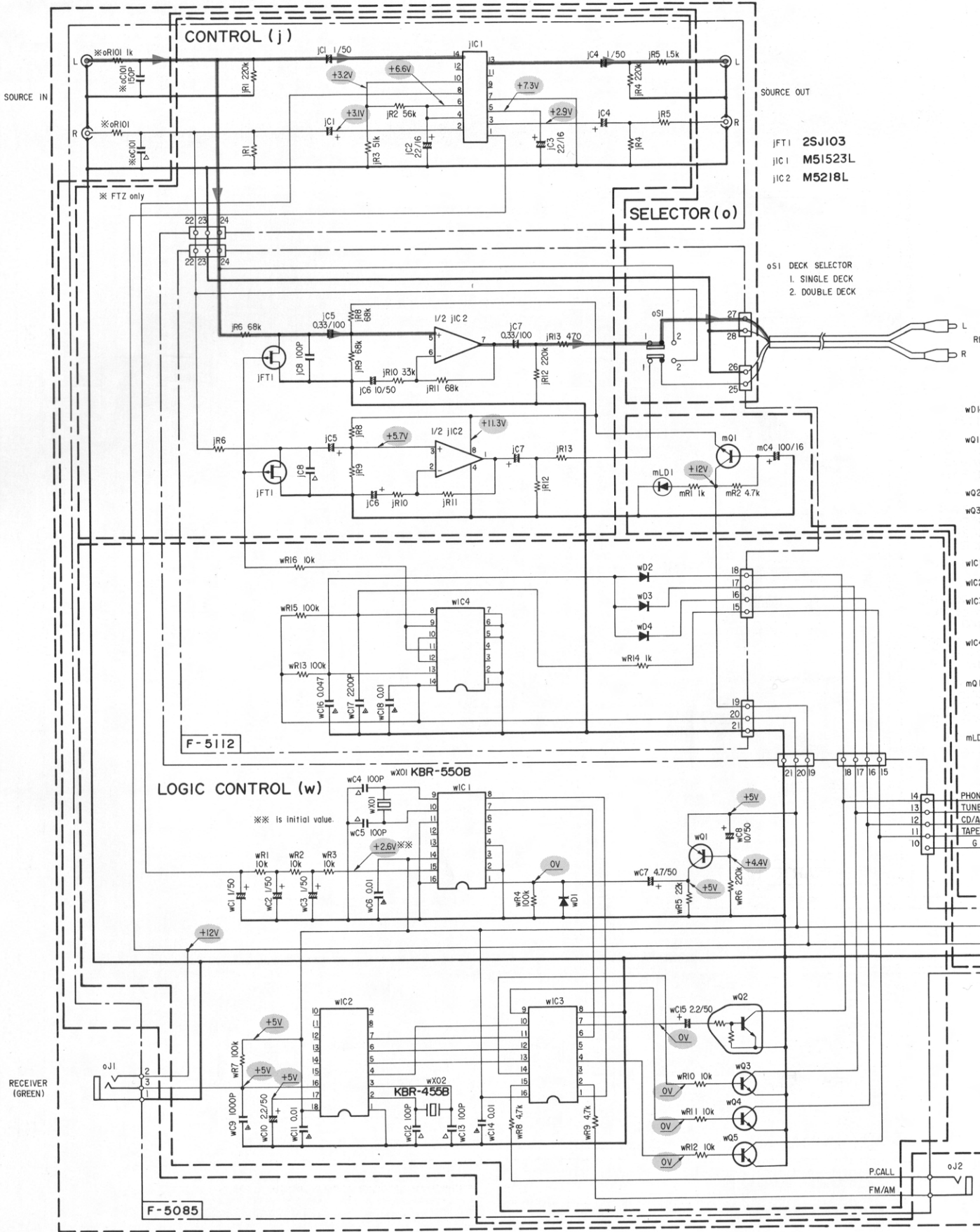


Parts List

Parts No.	Stock No.	Description	Parts No.	Stock No.	Description
•IC			wQ3	46367301	2SC2458
jIC1	48223500	M51523L		or 46367101	2SC2603
△mIC1	46614700	NJM78L12		or 46391901	2SC2785
△mIC2	or 48066100	M5278L12	wQ4	48058801	2SC1740S
△mIC2	46148600	NJM78L05A		46367301	2SC2458
△	or 48065800	M5278L05		or 46367101	2SC2603
•Diode				or 46391901	2SC2785
△mD1	46273600	DBB10-B	wQ5	48058801	2SC1740S
△mPT1	15021401	Power Transformer <XX, XX-V>		46367301	2SC2458
△	15021402	Power Transformer <UL, CSA>		or 46367101	2SC2603
△	15021405	Power Transformer <EU, BS, AS>		or 46391901	2SC2785
oJ1	48223700	Mini Jack, RECEIVER	•IC		
oJ2	46547200	Mini Jack, TUNER REMOTE	wIC1	46361900	M50601P
	46363800	4P SOURCE Terminal	wIC2	48223600	M50117P
•Transistor			wIC3	48223400	μPD4028BC
wQ1	46367201	2SA1048		or 48223300	TC4028BP
	or 46367001	2SA1115		or 48223200	BU4028B
wQ1	46392001	2SA1175	wXD1	48224400	KBR-550B, Quartz Element
	or 48058601	2SA933S	wXD2	48224300	KBR455, Quartz Element
wQ2	48171600	DTC114YS	•Diode		
			wD1	03117600	1S2473T77
				or 46086000	1S1588TP-3

► to be continued on page 7

5. SCHEMATIC DIAGRAM



- jT1 2SJ103
- jIC1 M51523L
- jIC2 M5218L

- oS1 DECK SELECTOR
- 1. SINGLE DECK
- 2. DOUBLE DECK

F-5112

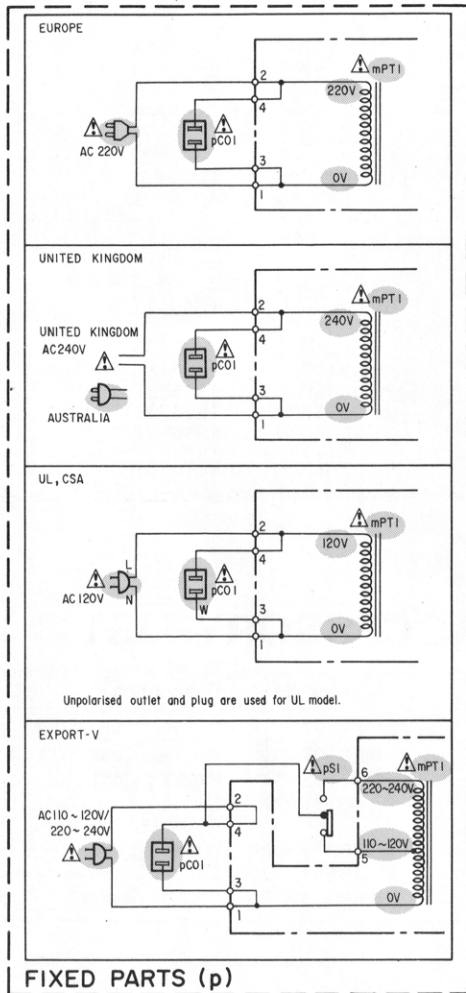
F-5085

PHONO
TUNER
CD/AU
TAPE
6

P.CALL
FM/AM

*Design and specifications subject to change without notice for improvement.
 *La présentation et les spécifications sont susceptibles d'être modifiées sans préavis par suites d'améliorations éventuelles.
 *Änderungen, die dem technischen Fortschritt dienen, bleiben vorbehalten.

2473
1588
SAIO48
SAI115
SAI175
SA933S
TC114Y
SC2458
SC2603
SC2785
SC1740S
5060IP
50117P
PD4028BC
C4028BP
U4028B
PD4011BC
C4011BP
U4011B
SC2458
SC2603
SC2785
SC1740S
S-123
EL2210S



SYMBOL OF FUNCTION

- (j) CONTROL
- (m) POWER SUPPLY
- (o) SELECTOR
- (p) FIXED PARTS
- (w) LOGIC CONTROL

SYMBOL

- △ Ceramic Capacitor
- ▲ Barrier Layer Capacitor

RESISTORS

Are in ohms, 1/4 Watts, ±5% Tolerance
 Unless Otherwise Noted. k: kΩ, M: MΩ

CAPACITORS

Are in μF, Unless Otherwise Noted.

P: pF

Electrolytic Capacitor:

Capacitance (μF) / Volt (V)

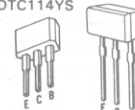
Each D.C. Voltages shows the nominal value
 in Volts at no input signal.

▲ is Safety Part.
 Use only replacement parts recommended
 by manufacturer.

m1C1 NJM78L12A
 M5278L12

m1C2 NJM78L05A
 M5278L05

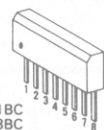
2SA1048 2SA933
 2SA1115 2SA1175
 2SC2458 2SC1740S
 2SC2603 2SC2785
 DTC114YS



M5278L05 M5278L12
 NJM78L05A NJM78L12

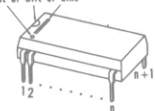


1: OUTPUT
 2: GND
 3: INPUT

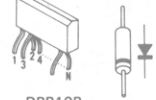


μPD4011BC
 μPD4028BC
 BU4011B
 BU4028B
 M50117P
 M50601P
 TC4011BC
 TC4028BP

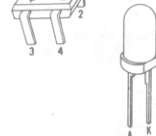
Dot or Slit or Line



M51523L 1S1588TP-3
 1S2473T77

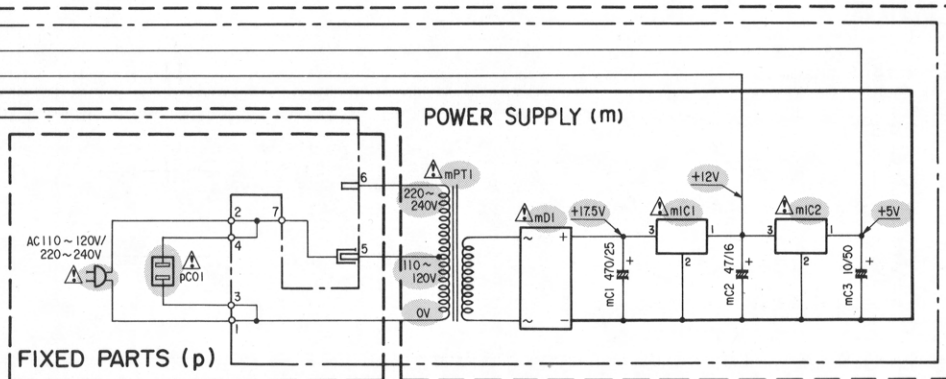


DBB10B SEL2210S
 TLS123



REMOTE CONTROL

FIXED PARTS (p)



FIXED PARTS (p)

Signal Line

R
TE
(LOW)

1

2

3

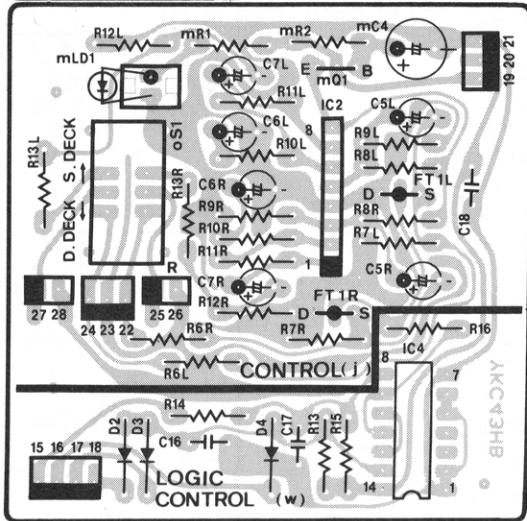
4

5

6

4-2. F-5112 Cassette Line Amp. Board (Stock No. 00914701)

Component Side

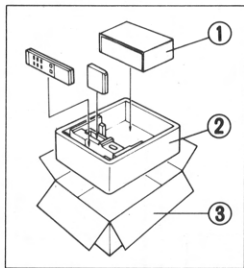


Parts List

Parts No.	Stock No.	Description
•FET jFT1	46643800 or 46643801 or 46643802 or 46421200 or 46421201 or 46421202	2SJ103-Y 2SJ103-GR 2SJ103-BL 2SJ103-Y 2SJ103-GR 2SJ103-BL
•IC jIC2	46147700	M5218L
•Transistor mQ1	46367301 or 46367101 or 46391901 or 48058801	2SC2458 2SC2603 2SC2785 2SC1740S
•LED mLD1	46176900 or 46470200	TLS-123 SEL2210S
•IC wIC4	46427200 or 48063700 or 03604100	μPD4011BC BU4011B TC4011P
•Diode wD2	03117600 or 46086000 or 03117600 or 46086000	1S2473T77 1S1588TP-3 1S2473T77 1S1588TP-3
wD4	03117600 or 46086000	1S2473T77 1S1588TP-3

6. PACKING LIST

Parts No.	Stock No.	Description
1	47934100	Vinyl Cover
2	47913700	Styrofoam Packing
3	47914100	Carton Case <XX, UL, CSA, EU, BS, AS>
	47933800	Carton Case <XX-V>



7. ACCESSORY LIST

Stock No.	Description
48197700	Remote Control Cable 80 cm
38103300	Pin Plug Cord, 108 cm
or 07193400	Pin Plug Cord, 100 cm
48181700	Mini Pin Plug Cord, TUNER REMOTE
46979200	Operating Instruction
46983200	Caution Sheet 2
46983100	Caution Sheet 1 <EU>



SANSUI ELECTRIC CO., LTD.:

SANSUI ELECTRONICS CORPORATION:

SANSUI ELECTRONICS (U.K.) LTD.:

SANSUI ELECTRONICS G.M.B.H.:

14-1, Izumi 2-chome, Suginami-ku, Tokyo 168 Japan
PHONE: (03) 324-8891/TELEX: 232-2076 (International Division)
1250 Valley Brook Ave. Lyndhurst, N.J. 07071 U.S.A.
17150 South Margay Ave. Carson, California 90746 U.S.A.
3036 Koapaka Street, Honolulu, Hawaii 96819 U.S.A.
Unit 10A, Lyon Industrial Estate, Rockware Avenue, Geenford, Middx UB6, OAA, England
Pau Ehrich Strasse 8, 6074 Rödermark 2, West Germany

(SM1-231)

Printed in Japan (254120M) <Stock No. 36515400>