

LX
Series



LX Series Loudspeaker Systems



LX Series Instruction Manual

Congratulations on choosing JBL LX Series loudspeakers. JBL LX Series loudspeakers were designed using technology developed for JBL's latest studio monitor systems. The same low distortion, accurate, dynamic sound demanded by recording professionals is available for the home listener.

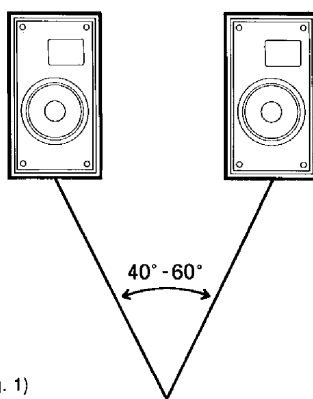
Built with careful attention to detail, and with only the highest-quality materials, your JBL speakers will provide many years of excellent performance.

The instructions in this manual will help you realize the full potential of your loudspeakers.

Placement

JBL LX Series loudspeakers are designed to produce a flat frequency response in the home when located free standing, at least 1 foot from wall.

The LX22 will additionally benefit from placement 3" from the wall or back panel when set on a bookshelf or 15" to 20" from the wall when placed on a speaker stand.



(Fig. 1)

For best stereo imaging, the two loudspeakers should be equidistant from your listening position and separated by an angle of between 40° and 60° (see Fig. 1). For example, if your listening position is 8 to 12 feet from each speaker, the two systems should be about 8 feet apart. Since every room is different, there are no absolutes regarding placement, so please experiment.

Placing the loudspeakers in corners or against a wall will increase the amount of bass but not necessarily its quality. If unavoidable, we recommend that you use your tone controls or an equalizer to reduce the bass.

Panel-mounting: Be careful not to block the rear panel mounted reflex port as this will sharply reduce bass output. A minimum 4" spacing between rear panel and adjacent surface is recommended.

Connections

To connect the loudspeaker to the receiver or amplifier, use two conductor insulated wire. Your JBL dealer can recommend suitable cables.

We recommend # 16 AWG (1.3 mm diameter) wire as a minimum size. If your speakers are more than 30 feet from your receiver or amplifier, use larger diameter wire. Interconnects are an important component in an audio system. You may wish to audition and compare the performance of some of the specially designed audio cables and speaker wire sets available from your dealer.

For each channel, the red terminal on the loudspeaker should be connected to the red or (+) loudspeaker connection terminal on the amplifier (or receiver), and the black terminal

on the loudspeaker should be connected to the black or (-) terminal on the amplifier. Connecting the loudspeakers in this manner ensures that they will work in phase; that is, work together rather than in opposition. Connecting the loudspeakers out of phase will not damage them, but will result in less bass and poor imaging. Most two conductor wire is color-coded or has a ridge on one of its insulating jackets, so that you can easily identify which wire is connected to which terminal.

When connecting more than one pair of loudspeakers to an amplifier or receiver, consult your dealer or amplifier manufacturer to ensure that the resulting load can be handled safely.

General Care

JBL LX Series loudspeaker systems are constructed of high quality particle board, superior to solid wood in its acoustic properties. For maximum strength and resistance from vibration, all panels are cut from 3/4" stock and are rigidly braced. Enclosure surfaces are finished in high quality laminates. Occasional dusting with a clean, soft cloth will maintain the original beauty of the finish. Furniture waxes, polishes, or cleaners are not recommended.

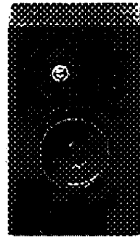
The grille may be gently vacuumed, and stains can be removed with an aerosol cleaner, following the manufacturer's instructions. Never use any solvents to clean any part of the system.

Service

Should your loudspeaker system ever need service, return it to the JBL dealer from whom it was purchased.

**Technical
Specifications**

Recommended amplifier power range	10-125 W
Nominal impedance	8 ohms
Sensitivity	90 dB
Frequency response	50Hz-20kHz
Crossover frequencies	3kHz
Low frequency loudspeaker	6½ in/165 mm
Midrange loudspeaker	-
High frequency loudspeaker	1 in/25 mm Pure titanium dome
Enclosure finish	Black ash/walnut high pressure laminate.



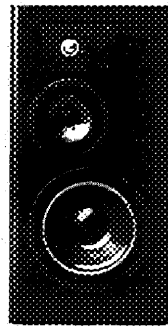
LX 22

Grille color	Charcoal grey
Dimensions	
Height	15½ in/394 mm
Width	10 in/254 mm
Depth	8⅝ in/219 mm
Net weight	6.5 kg
Shipping weight	19 kg*

* The LX 22 is packed two per carton.

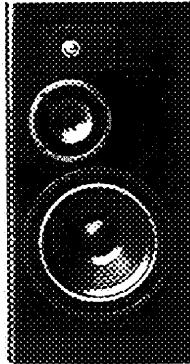
**Technical
Specifications**

Recommended amplifier power range	10-150 W
Nominal impedance	8 ohms
Sensitivity	91 dB
Frequency response	45Hz-20kHz
Crossover frequencies	800Hz/4kHz
Low frequency loudspeaker	8 in/200 mm
Midrange loudspeaker	5 in/125 mm
High frequency loudspeaker	1 in/25 mm Pure titanium dome
Enclosure finish	Black ash/walnut high pressure laminate
Grille color	Charcoal grey
Dimensions	
Height	23 in/584 mm
Width	11 ³ / ₄ in/298 mm
Depth	11 ³ / ₄ in/298 mm
Net weight	13 kg
Shipping weight	17 kg



LX 44

**Technical
Specifications**



LX 55

Recommended amplifier power range	10-200 W
Nominal impedance	8 ohms
Sensitivity	92 dB
Frequency response	40Hz-20kHz
Crossover frequencies	800Hz/4kHz
Low frequency loudspeaker	10 in/250 mm
Midrange loudspeaker	5 in/125 mm
High frequency loudspeaker	1 in/25 mm Pure titanium dome
Enclosure finish	Black ash/walnut high pressure laminate.
Grille color	Charcoal grey
Dimensions	
Height	26 in/660 mm
Width	13 1/2 in/343 mm
Depth	11 3/4 in/298 mm
Net weight	15 kg
Shipping weight	20 kg