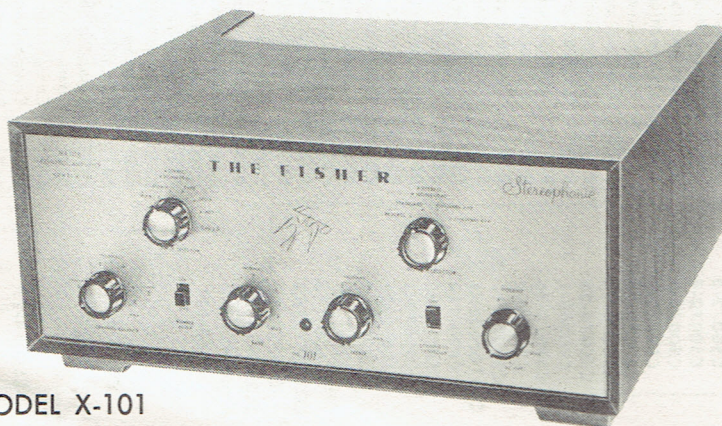




THE FISHER X-101

SCHEMATIC and PARTS LIST



MODEL X-101

CHASSIS SERIAL NUMBERS
10001-29999 INCLUSIVE

PRICE: \$1.00

FISHER RADIO CORPORATION • NEW YORK

CHASSIS SERIAL NUMBERS
10001 - 29999 INCLUSIVE

THE FISHER X-101



PARTS DESCRIPTION LIST

CHASSIS SERIAL NUMBERS 10001 - 29999 INCLUSIVE

CAPACITORS

20% tolerance for all fixed capacitors, unless otherwise noted or marked GMV (guaranteed minimum value.)

| Symbol | Description | Order No. |
|---------------------------|--|-------------|
| C1 | Ceramic, 820uuf 10%, 1000V | C50072-7 |
| C2, 3 | Ceramic, 390uuf 10%, 1000V | C50072-6 |
| C4 | Ceramic, 1800uuf 10%, 1000V | C50072-8 |
| C5 | Ceramic, 82uuf 10% N1500, 1000V | C50070-7 |
| C6 | Ceramic, 1800uuf 10%, 1000V | C50072-8 |
| C7, 8 | Ceramic, 560uuf 10%, 1000V | C50072-14 |
| C9, 10 | Molded, .022uf 10%, 250V | C50074-26 |
| C11, 12 | Molded, .01uf 10%, 250V | C50074-25 |
| C13, 14 | Ceramic, .005uf, 500V | C50089-1 |
| C15, 16 | Molded, .022uf 10%, 250V | C50074-26 |
| C17 | Ceramic, 12uuf 10% NPO, 1000V | C50070-2 |
| C18 | Ceramic, 10uuf 10% NPO, 1000V | C50070-11 |
| C19, 20 | Ceramic, 68uuf 10%, 500V | CC21GP680K5 |
| C21, 22 | Electrolytic, 25uf, 6V | C639-114 |
| C23, 24 | Molded, .01uf 10%, 250V | C50074-25 |
| C25 | Ceramic, 1000uuf 10%, 1000V | C50072-3 |
| C26 | Molded, .022uf 10%, 250V | C50074-26 |
| C27 | Ceramic, 1000uuf 10%, 1000V | C50072-3 |
| C28 | Molded, .022uf 10%, 250V | C50074-26 |
| C29 | Electrolytic, 100uf, 100V | C663-143 |
| C30 | Ceramic, 150uuf 10%, 500V | CC21GP151K5 |
| C31 | Molded, .0027uf 10%, 200V | C68P272K2 |
| C32 | Ceramic, 150uuf 10%, 500V | CC21GP151K5 |
| C33 | Molded, .0027uf 10%, 200V | C68P272K2 |
| C34 | Electrolytic, three section: 40uf, 450V 40uf, 450V 20uf, 450V | C563-127 |
| C35, 36 | Molded, .01uf 10%, 250V | C50074-25 |
| C37 | Electrolytic, two section: 60uf, 450V 40uf, 450V | C663-136 |
| C38, 39, 40, 41, **42, 43 | Molded, .01uf 10%, 250V | C50074-25 |
| C44, 45 | Ceramic, 68uuf 10%, 500V | CC21GP680K5 |
| C46, 47 | Ceramic, 47uuf 10%, 500V | CC21GP470K5 |
| C48 | Ceramic, 33uuf 10%, 500V | CC21GP330K5 |
| C49 | Molded, .047uf 10%, 500V | C50074-37 |
| C50 | Ceramic, 33uuf 10%, 500V | CC21GP330K5 |
| C51, 52, 53 | Molded, .047uf 10%, 500V | C50074-37 |
| C54 | Molded, .01uf, 600V | C2747 |

**C42 and C43 not used in serial numbers 20001 to 29999.

RESISTORS AND POTENTIOMETERS

In ohms, 10% tolerance, 1/2 watt, unless otherwise noted. K = kilohm, M = megohm.

| Symbol | Description | Order No. |
|---------|---|--------------------------|
| R1, 2 | Potentiometer, 250K 20% | R657-134 |
| R3 | Composition, 10K | RC20BF103K |
| R4 | Composition, 150K (Earlier Units) Composition, 100K (Later Units) | RC20BF154K RC20BF104K |
| R5 | Composition, 10K | RC20BF103K |
| R6 | Composition, 150K (Earlier Units) Composition, 100K (Later Units) | RC20BF154K RC20BF104K |
| R7, 8 | Composition, 2.7K, 1W | RC30BF272K |
| R9 | Composition, 3.3M | RC20BF335K |
| R10 | Composition, 2.2M | RC20BF225K |
| R11 | Composition, 1.2M | RC20BF125K |
| R12 | Composition, 270K | RC20BF274K |
| R13 | Composition, 10M | RC20BF106K |
| R14 | Composition, 270K | RC20BF274K |
| R15 | Composition, 10M | RC20BF106K |
| R16, 17 | Composition, 120K | RC20BF124K |
| R18, 19 | Potentiometer, 250K 20% | R657-134 |
| R20, 21 | Composition, 330K, 1W | RC30BF334K |
| R22, 23 | Composition, 220K | RC20BF224K |
| R24, 25 | Composition, 10M | RC20BF106K |
| R26, 27 | Composition, 3.3M | RC20BF335K |
| R28, 29 | Composition, 2.2M | RC20BF225K |
| R30, 31 | Composition, 3.3M | RC20BF335K |
| R32 | Composition, 100K | RC20BF104K |
| R33 | Composition, 1.2K | RC20BF122K |
| R34 | Composition, 100K | RC20BF104K |
| R35 | Composition, 1.2K | RC20BF122K |
| R36, 37 | Composition, 15M | RC20BF156K |
| R38, 39 | Composition, 180K | RC20BF184K |
| R40 | Composition, 220K | RC20BF224K |
| R41 | Potentiometer, Dual, 1M | R663-134 |
| R42 | Composition, 15K | RC20BF153K |
| R43 | Composition, 220K | RC20BF224K |
| R44 | Composition, 15K | RC20BF153K |
| R45, 46 | Composition, 47K | RC20BF473K |
| R47 | Potentiometer, Dual, 1M | R663-134 |
| R48 | Wirewound, 920, 5%, 5W | R592-167 |
| R49 | Composition, 100K | RC20BF104K |
| R50 | Composition, 1.2K | RC20BF122K |
| R51 | Composition, 100K | RC20BF104K |
| R52 | Composition, 1.2K | RC20BF122K |
| R53 | Composition, 47K | RC20BF473K |
| R54 | Potentiometer, Dual, 500K | R663-138 |
| R55 | Composition, 10K, 1W | RC30BF103K |
| R56, 57 | Composition, 120K (Serial Numbers 10001-19999) Composition, 47K (Serial Numbers 20001-29999) | RC20BF124K RC20BF473K |

R58, 59 Composition, 47K
(Serial Numbers 10001-19999)
Composition, 120K
(Serial Numbers 20001-29999)

| | | |
|-------------|--|------------|
| R60 | Composition, 4.7K, 1W | RC30BF472K |
| R61, 62 | Composition, 270K | RC20BF274K |
| R63 | Wirewound, 2.2K, 7W | R563-148 |
| R64 | Composition, 68K | RC20BF683K |
| R65 | Potentiometer, 500K, 20% | R663-131 |
| R66 | Composition, 68K | RC20BF683K |
| R67 | Wirewound, 250, 7W (Two Used in Parallel) | R539-121 |
| | Wirewound, 115 7W (Used in Some Models) | R563-205 |
| R68 | Composition, 390K | RC20BF394K |
| R69 | Composition, 1.5K | RC20BF152K |
| R70 | Composition, 390K | RC20BF394K |
| R71 | Composition, 1.5K | RC20BF152K |
| R72 | Composition, 100K | RC20BF104K |
| R73 | Composition, 82K | RC20BF823K |
| R74 | Potentiometer, 50K, 20% | R50103-3 |
| R75 | Composition, 100K | RC20BF104K |
| R76 | Composition, 82K | RC20BF823K |
| R77 | Potentiometer, 50K, 20% | R50103-3 |
| R78, 79 | Composition, 47K | RC20BF473K |
| R80, 81 | Composition, 470K | RC20BF474K |
| 82, 83 | Composition, 2.2K | RC20BF222K |
| R84 | Composition, 33K | RC20BF333K |
| R85 | Composition, 2.2K | RC20BF222K |
| R86 | Composition, 33K | RC20BF333K |
| R87, 88, 89 | Composition, 10 | RC20BF100K |
| R90, 91 | Composition, 100K | RC20BF104K |

TRANSFORMERS

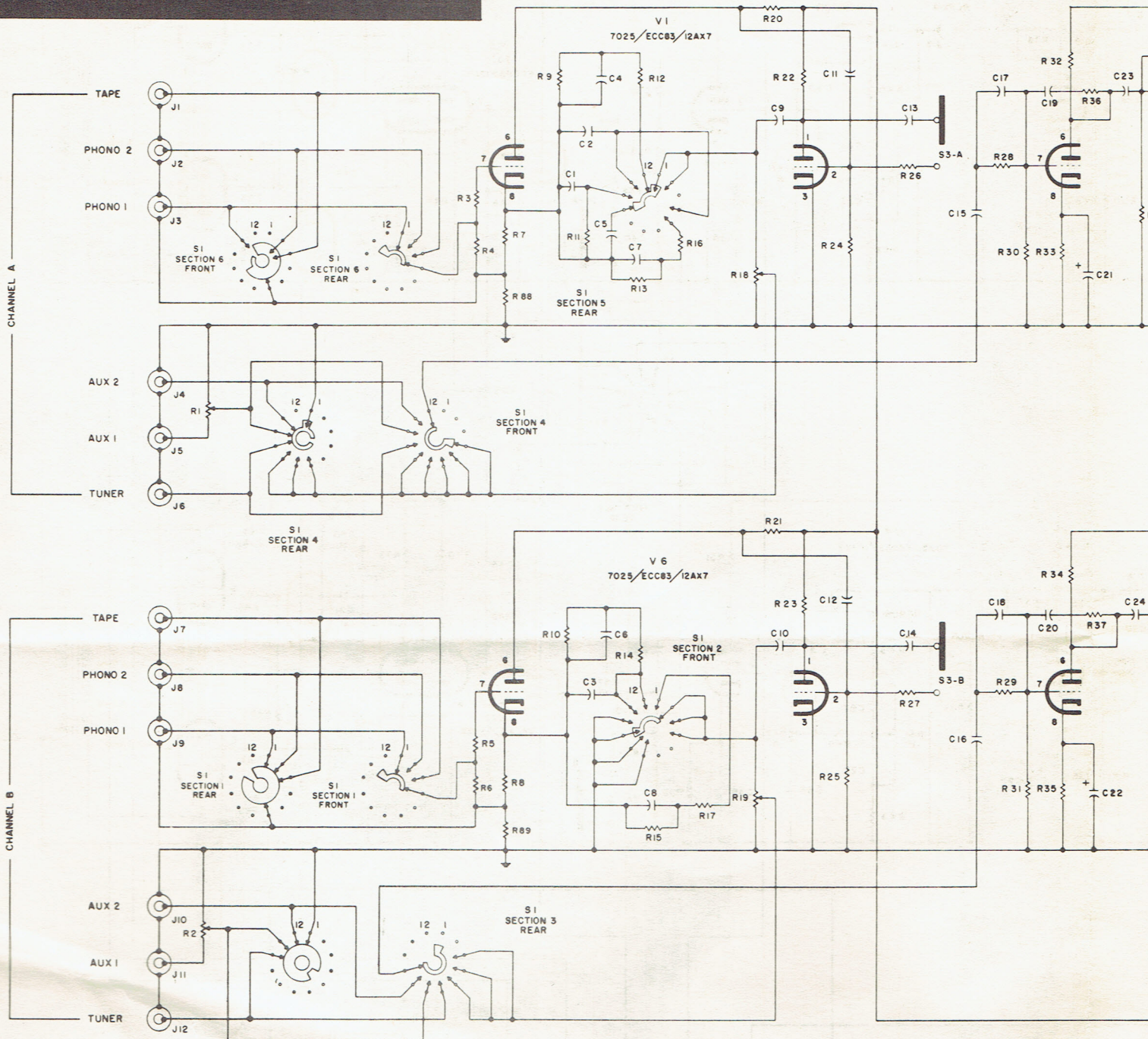
| Symbol | Description | Order No. |
|--------|---------------------|-----------|
| T1 | Transformer, Output | T663-135 |
| T2 | Transformer, Output | T663-114 |
| T3 | Transformer, Power | T663-115 |

MISCELLANEOUS

| Symbol | Description | Order No. |
|--------|--|--------------------|
| F1 | Fuse, 3.2 Ampere, Slo-Blo (Early Units) | F3319 |
| I1 | Lamp Panel (Early Units) Lamp Panel (Later Units) | I558-120 A50118 |
| S1 | Switch, Input Selector | S663-132 |
| S2 | Switch, Output Selector | S663-130 |
| S3, 4 | Switch, Slide | S663-133 |
| S5 | Switch, AC Power | Part of R54 |

SCHEMATIC DIAGRAM

10001-19999



S1
INPUT SELECTOR
POSITIONS

- 78 (MONAURAL)
- LP (MONAURAL)
- RIAA 1 (STEREO)
- RIAA 2 (STEREO)
- TAPE (STEREO)
- TUNER (STEREO)
- AUX 1 (STEREO)
- AUX 2 (STEREO)

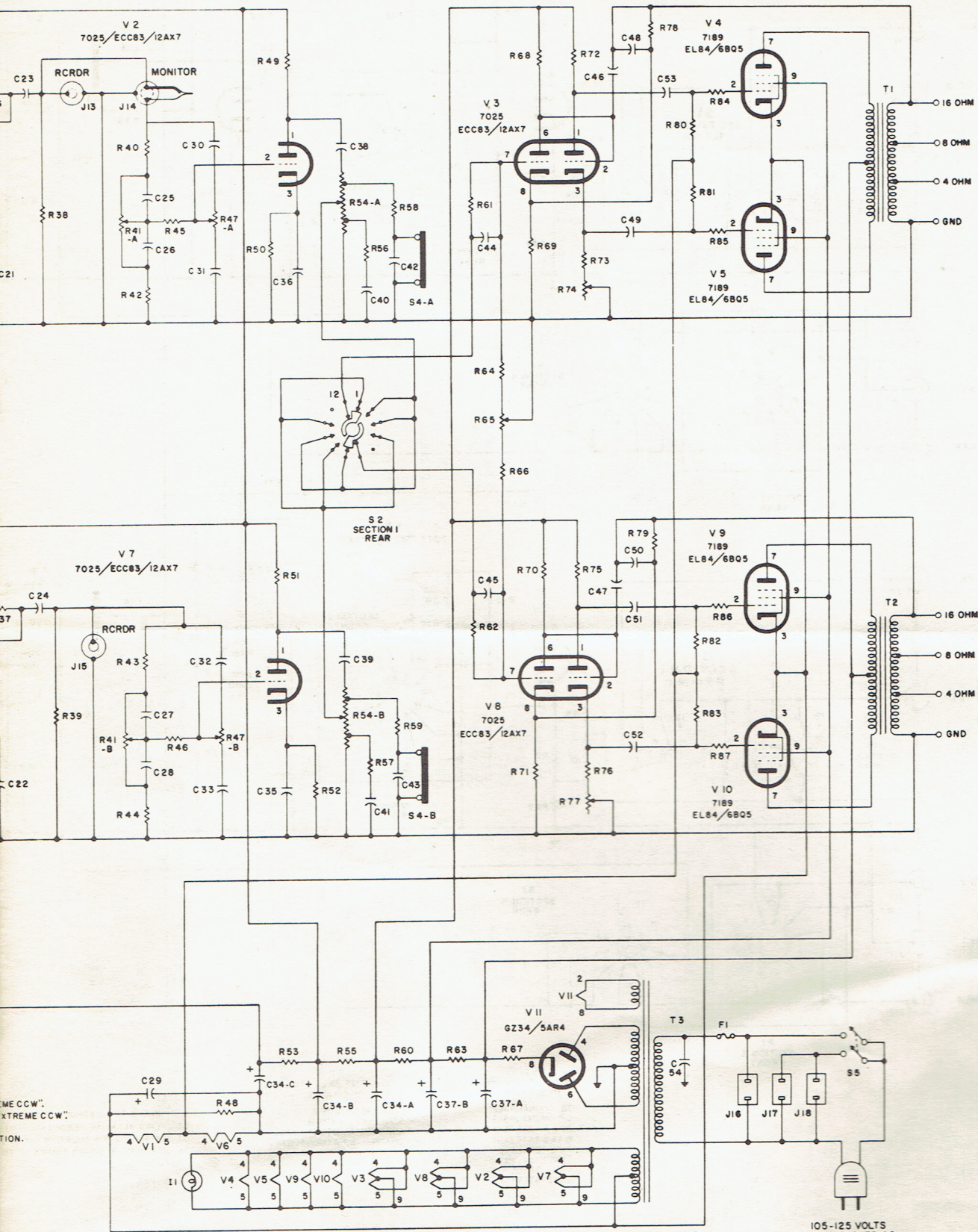
S2
OUTPUT SELECTOR
POSITIONS

- REVERSE (STEREO)
- STANDARD (STEREO)
- CHANNEL A+B (MONAURAL)
- CHANNEL B+A (MONAURAL)

NOTES

- S1 SHOWN IN THE 78 (MONAURAL) POSITION "EXTREME CCW".
- S2 SHOWN IN THE REVERSE (STEREO) POSITION "EXTREME CCW".
- S3 RUMBLE FILTER SHOWN IN THE OFF POSITION.
- S4 LOUDNESS CONTOUR SHOWN IN THE OFF POSITION.

| | | | | | | | | | | | | | | | | | | |
|------------|----------|----------------|----------|------------|----------------|------------------|------------------|------------|------------|------------|------------|------------|------------|------------|------------|------------|------------|------------|
| RESISTORS | R1 R2 | R3 TO R6 | R7 R8 | R8B R89 | R9 R10 | R11 TO R15 | R12 TO R17 | R16 R17 | R18 R19 | R20 R21 | R22 R23 | R24 R25 | R26 R27 | R28 R29 | R30 R31 | R32 R35 | R36 R37 | R38 R39 |
| CAPACITORS | | | | | C1 C2 C3 | C4 TO C6 | C7 TO C8 | | | C9 C10 | C11 C12 | C13 C14 | C15 C16 | C17 C18 | C19 C20 | C21 C22 | C23 C24 | |



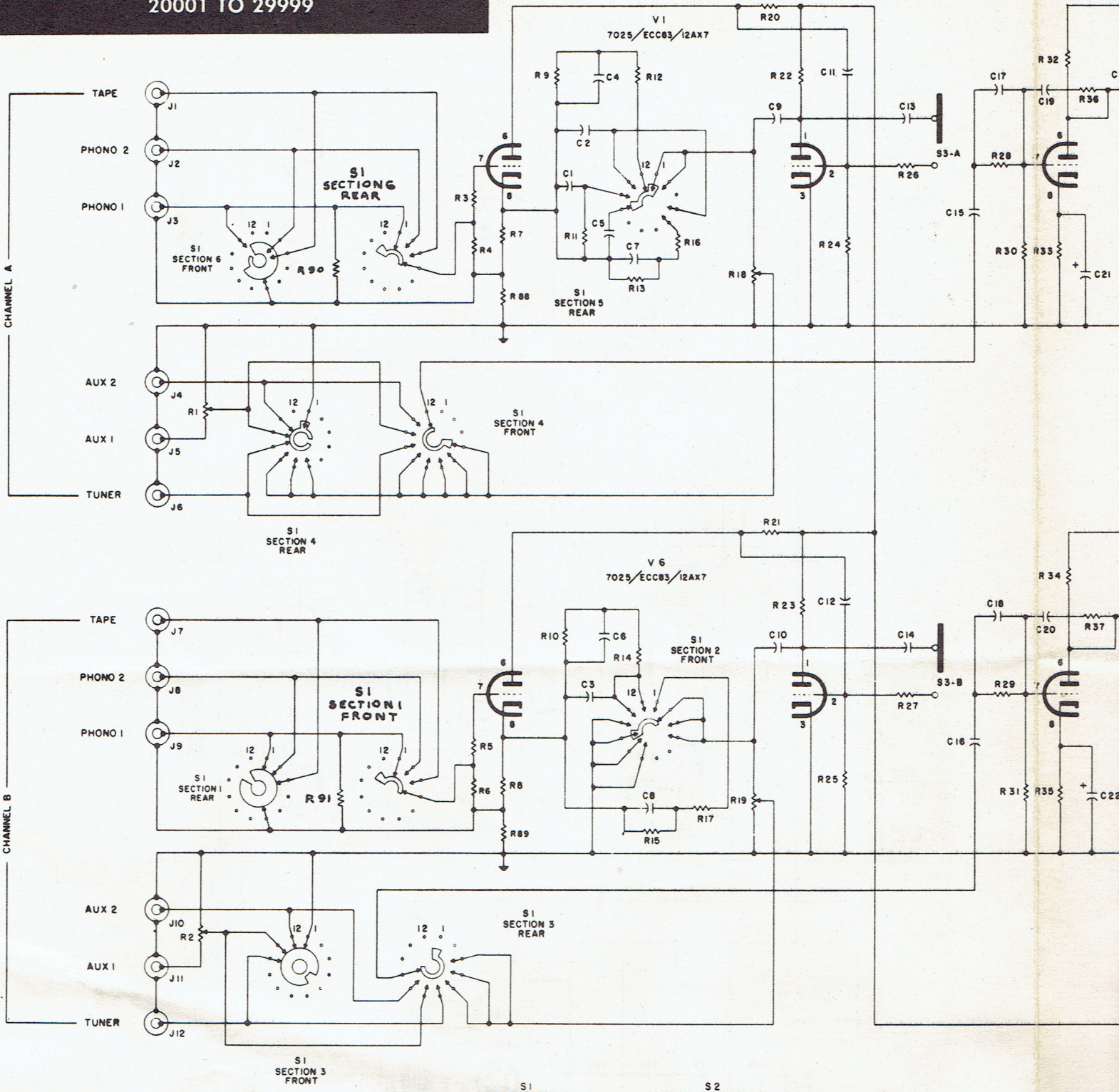
ME CCW"
XTREME CCW"
TION.

105-125 VOLTS
50/60 CYCLES AC

| | | | | | | | | | | | | | | | | | | |
|----|-----|-------|-----|-----|-------|-----|-------|-------|-----|-------|-------|-------|-----|-----|-----|-----|-----|-----|
| 36 | R38 | R41-A | R40 | R45 | R47-A | R50 | R52 | R54-A | R56 | R58 | R63 | R61 | R64 | R68 | R72 | R78 | R80 | R84 |
| 37 | R39 | R41-B | TO | R46 | R47-B | R51 | R53 | R54-B | R57 | TO | R62 | TO | TO | TO | TO | R79 | TO | TO |
| | | | R44 | | R48 | R52 | R55 | R55 | R60 | R60 | R63 | R67 | R71 | R77 | R79 | R83 | R87 | |
| 1 | C23 | | C25 | C30 | C34-C | C35 | C34-B | C38 | C40 | C42 | C37-B | C44 | | C46 | C48 | C53 | | |
| 2 | C24 | | TO | C33 | TO | C36 | C39 | C41 | C43 | C34-A | C37-A | C45 | | C47 | TO | C54 | | |
| | | | C29 | | | | | | | | | C37-A | | C52 | | | | |

SCHEMATIC DIAGRAM

20001 TO 29999

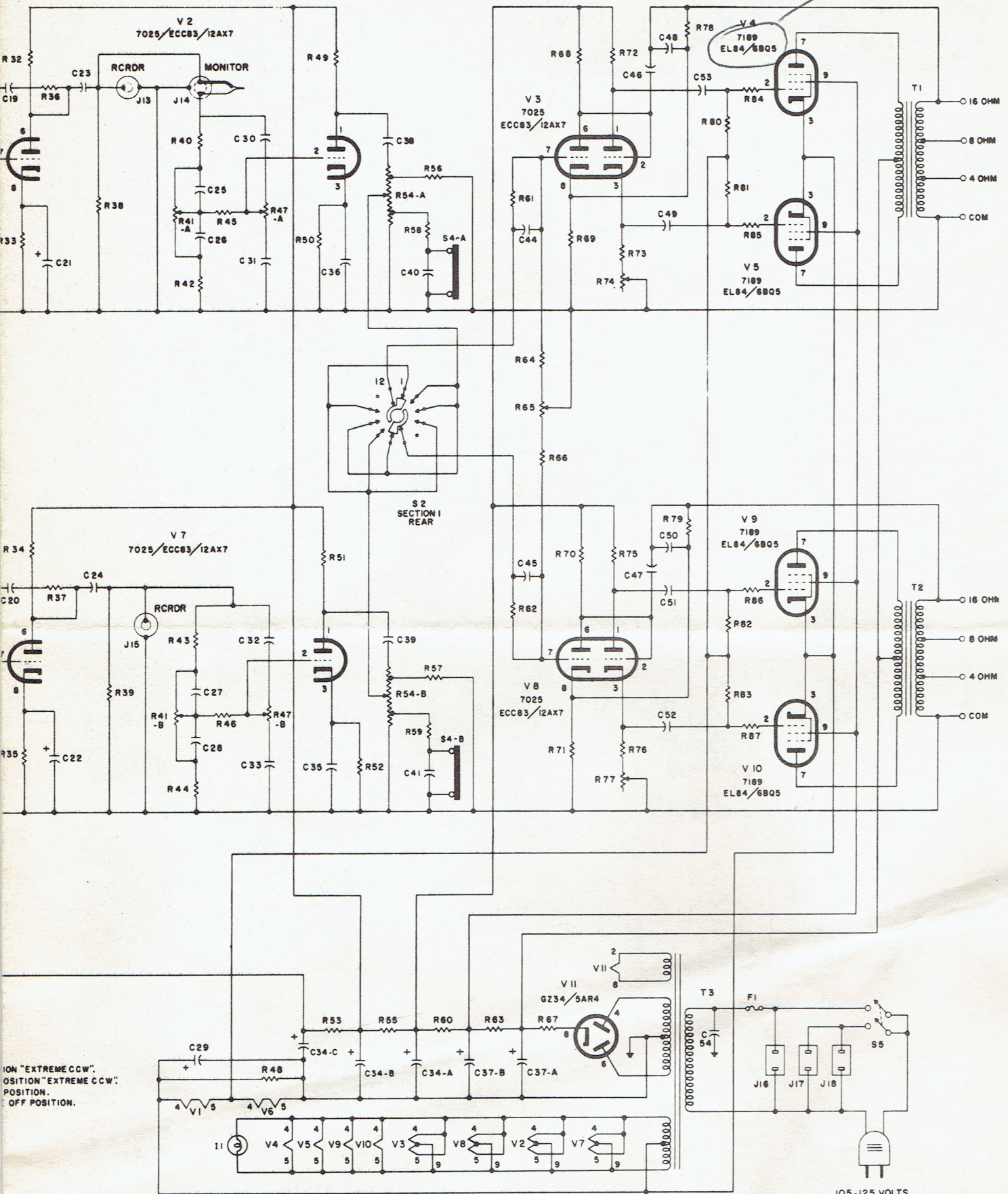


S1 INPUT SELECTOR POSITIONS
 78 (MONAURAL)
 LP (MONAURAL)
 RIAA 1 (STEREO)
 RIAA 2 (STEREO)
 TAPE (STEREO)
 TUNER (STEREO)
 AUX 1 (STEREO)
 AUX 2 (STEREO)

S2 OUTPUT SELECTOR POSITIONS
 REVERSE (STEREO)
 STANDARD (STEREO)
 CHANNEL A+B (MONAURAL)
 CHANNEL B+A (MONAURAL)

NOTES
 S1 SHOWN IN THE 78 (MONAURAL) POSITION "EXTREME C"
 S2 SHOWN IN THE REVERSE (STEREO) POSITION "EXTREME C"
 S3 RUMBLE FILTER SHOWN IN THE OFF POSITION.
 S4 LOUDNESS CONTOUR SHOWN IN THE OFF POSITION.

| | | | | | | | | | | | | | | | | | | |
|------------|----------|------------|----------------|----------|------------|----------------------------|----------------------|------------------|------------|------------|------------|------------|------------|------------|------------|------------|------------------|------------|
| RESISTORS | R1 R2 | R90 R91 | R3 TO R6 | R7 R8 | R88 R89 | R9 R10 | R11 | R12 TO R15 | R16 R17 | R18 R19 | R20 R21 | R22 R23 | R24 R25 | R26 R27 | R28 R29 | R30 R31 | R32 TO R35 | R36 R37 |
| CAPACITORS | | | | | | C1 C2 C3 TO C6 | C4 C5 C7 C8 | | | C9 C10 | C11 C12 | C13 C14 | C15 C16 | C17 C18 | C19 C20 | C21 C22 | | |



ION "EXTREME CCW".
 POSITION "EXTREME CCW".
 POSITION.
 OFF POSITION.

105-125 VOLTS
 50/60 CYCLES AC

| | | | | | | | | | | | | | | | | | | | |
|-----|-----|-----|-------|-----|-------|-------|-------|-----|-------|-------|-------|-----|-----|-----|-----|-----|-----|-----|-----|
| R32 | R36 | R38 | R41-A | R40 | R45 | R47-A | R50 | R52 | R54-A | R56 | R58 | R63 | R61 | R64 | R68 | R72 | R78 | R80 | R84 |
| TO | R37 | R39 | R41-B | TO | R46 | R47-B | R51 | R52 | R54-B | R57 | R60 | TO | TO | TO | TO | TO | TO | TO | TO |
| R35 | | | R44 | R46 | R48 | R48 | R53 | R55 | R55 | R60 | | R62 | R62 | R67 | R71 | R77 | R79 | R83 | R87 |
| 19 | C21 | C23 | C25 | C30 | C34-C | C35 | C34-B | C38 | C40 | C37-B | C44 | C46 | C46 | C48 | C53 | | | | |
| 20 | C22 | C24 | TO | TO | TO | C36 | C39 | C41 | C34-A | C44 | C45 | C47 | C48 | C52 | C54 | | | | |
| | | | C29 | C33 | | | | | | | C37-A | | | | | | | | |