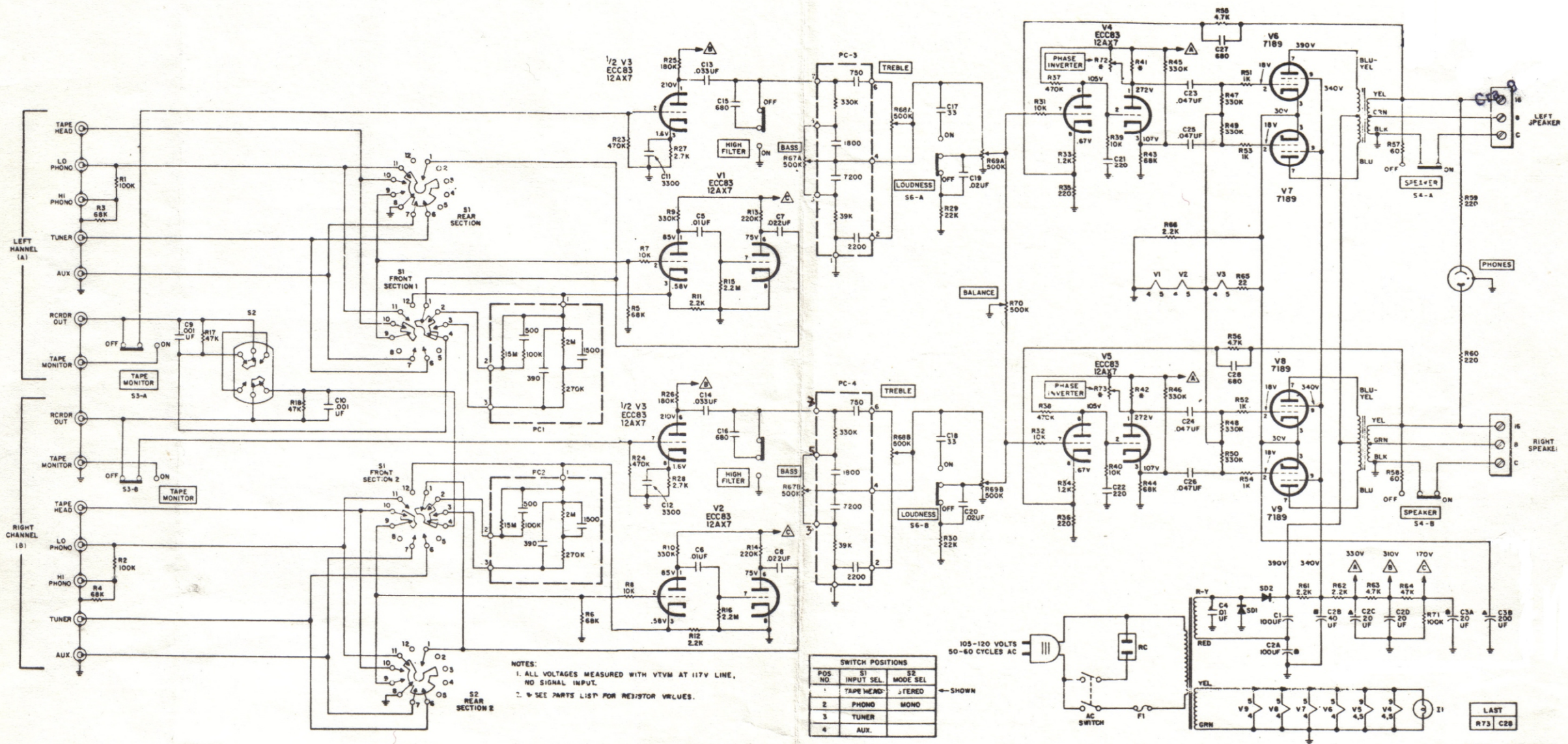


# Fisher X100



NOTES:  
 1. ALL VOLTAGES MEASURED WITH VTVM AT 117V LINE, NO SIGNAL INPUT.  
 2. SEE PARTS LIST FOR RESISTOR VALUES.

SWITCH POSITIONS	
POS. NO.	S1 INPUT SEL. MODE SEL.
1	TAPE HEAD MONO
2	PHONO MONO
3	TUNER
4	AUX.

BECAUSE HIS PRODUCTS ARE SUBJECT TO CONTINUOUS IMPROVEMENT, FISHER RADIO CORPORATION RESERVES THE RIGHT TO MODIFY ANY DESIGN OR SPECIFICATION WITHOUT NOTICE AND WITHOUT INCURRING ANY OBLIGATION.