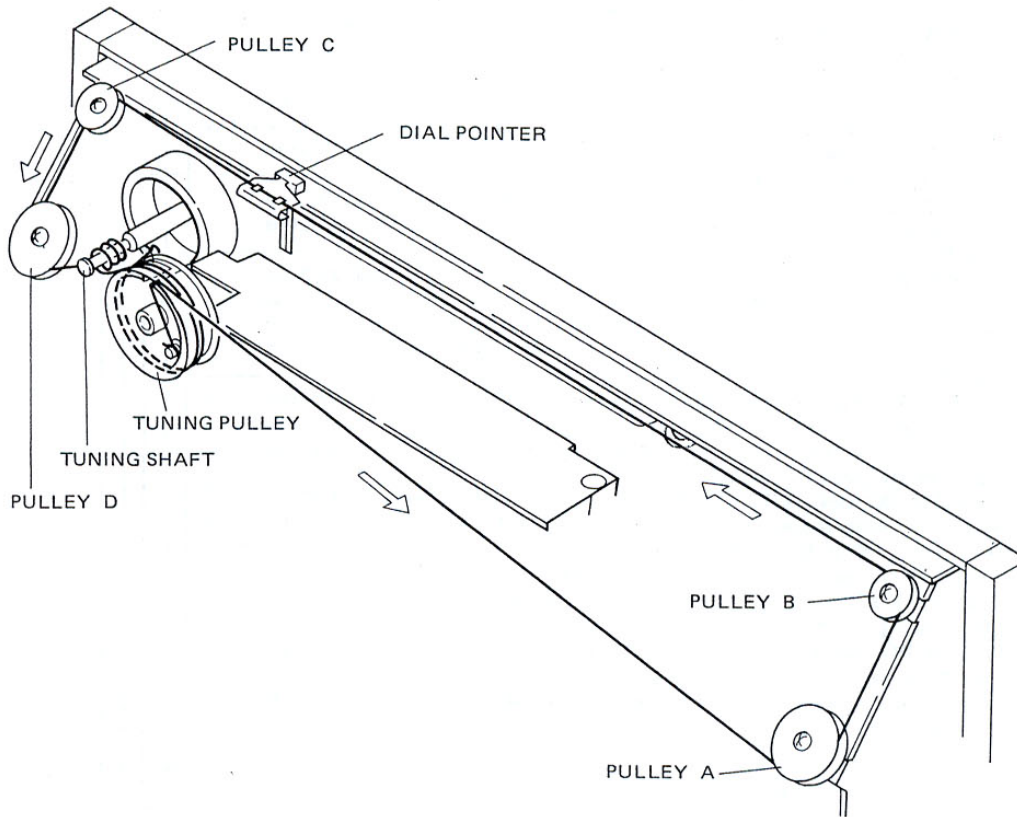


## 7. DIAL CORD STRINGING

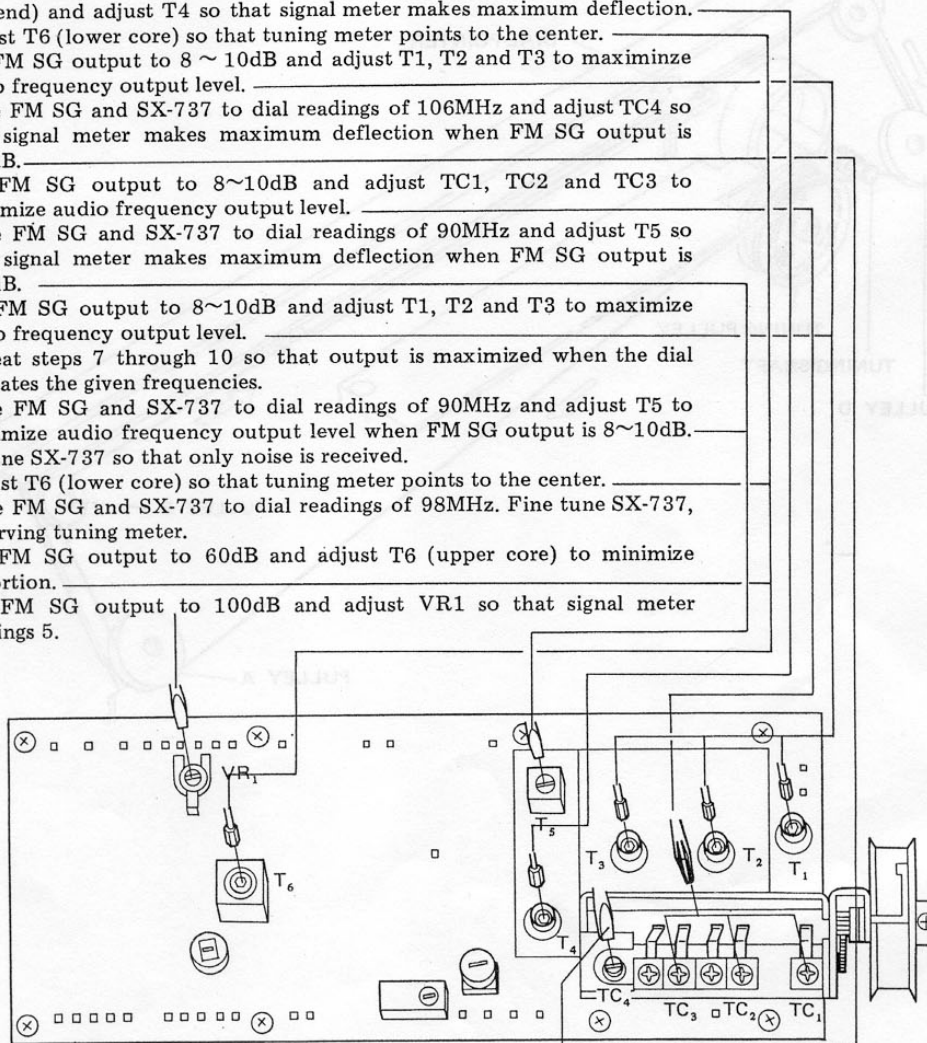
1. Turn the tuning knob until the plates of the tuning capacitor are as far out as possible.
2. Fasten one end of the cord to the boss on the tuning pulley and pass it through the slit.
3. Run the cord round pulleys A, B, C and D in this order and wind 3 turns round the tuning shaft.
4. Wind the cord 2 turns round the tuning pulley and tie the end to the spring while tensioning the spring slightly. Trim off excess cord.
5. Turn the tuning knob fully clockwise and fix the dial pointer to the cord at the point where it indicates "10" on the dial scale.



## 8. ALIGNMENT PROCEDURE

### FM Section

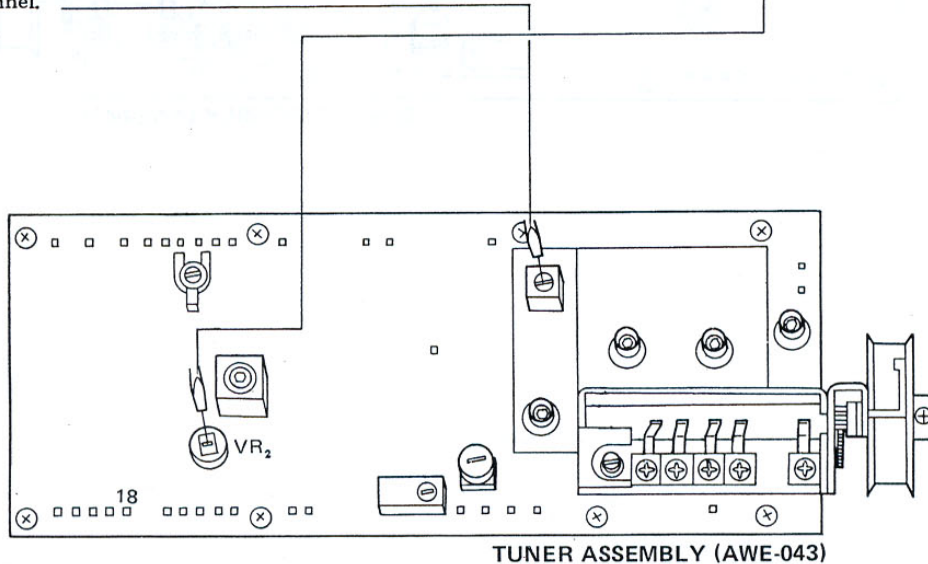
1. Switch positions on the SX-737:
  - FUNCTION . . . . . FM
  - FM MUTING . . . . . OFF (pressed in)
  - POWER . . . . . ON
  - REC SELECTOR . . . . . SOURCE
2. Connection of instruments:
  - FM Signal Generator (FM SG) . . . . . Connect to FM ANTENNA terminals through 300Ω dummy antenna.
  - AC Voltmeter } . . . . . Connect in parallel to TAPE REC
  - Distortion meter } jack.
  - Oscilloscope }
3. Set FM SG to 100% modulation ( $\pm 75\text{kHz}$  deviation) at 400Hz and 100dB output.
4. Tune FM SG and SX-737 to dial readings of 87.4MHz (dial pointer set to left end) and adjust T4 so that signal meter makes maximum deflection.
5. Adjust T6 (lower core) so that tuning meter points to the center.
6. Set FM SG output to 8 ~ 10dB and adjust T1, T2 and T3 to maximize audio frequency output level.
7. Tune FM SG and SX-737 to dial readings of 106MHz and adjust TC4 so that signal meter makes maximum deflection when FM SG output is 100dB.
8. Set FM SG output to 8~10dB and adjust TC1, TC2 and TC3 to maximize audio frequency output level.
9. Tune FM SG and SX-737 to dial readings of 90MHz and adjust T5 so that signal meter makes maximum deflection when FM SG output is 100dB.
10. Set FM SG output to 8~10dB and adjust T1, T2 and T3 to maximize audio frequency output level.
- Repeat steps 7 through 10 so that output is maximized when the dial indicates the given frequencies.
11. Tune FM SG and SX-737 to dial readings of 90MHz and adjust T5 to maximize audio frequency output level when FM SG output is 8~10dB.
12. Detune SX-737 so that only noise is received.
13. Adjust T6 (lower core) so that tuning meter points to the center.
14. Tune FM SG and SX-737 to dial readings of 98MHz. Fine tune SX-737, observing tuning meter.
15. Set FM SG output to 60dB and adjust T6 (upper core) to minimize distortion.
16. Set FM SG output to 100dB and adjust VR1 so that signal meter readings 5.



TUNER ASSEMBLY (AWE-043)

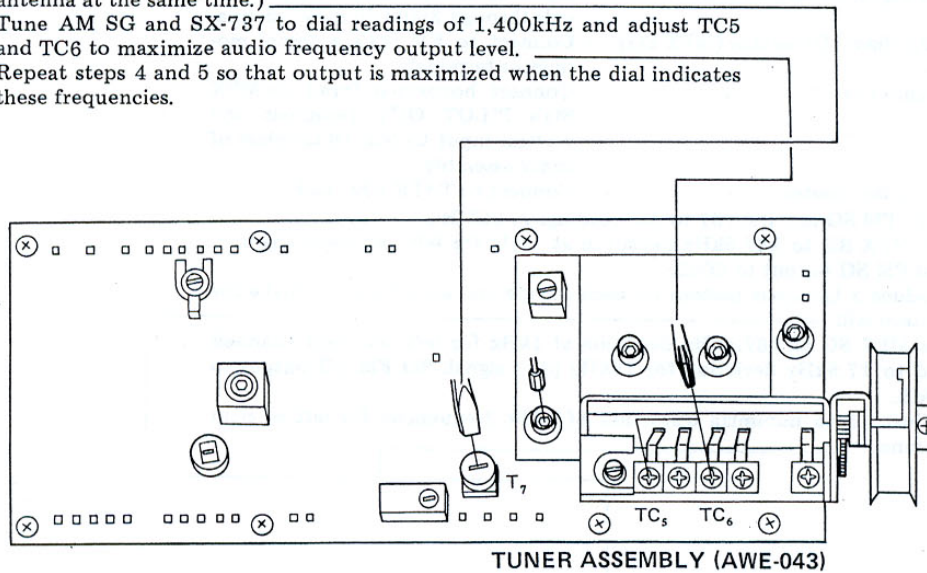
**FM MPX Section**

- The SX-737 incorporates a PLL demodulator circuit. This adjustment should only be made when MPX IC has been replaced.
  - This adjustment should be made after completion of FM section adjustment.
1. Switch positions on the SX-737:
    - FUNCTION . . . . . FM
    - FM MUTING . . . . . OFF (pressed in)
    - POWER . . . . . ON
    - REC SELECTOR . . . . . SOURCE
  2. Connection of instruments:
    - FM Signal Generator (FM SG) . . . . . Connect to FM ANTENNA terminals through 300Ω dummy antenna.
    - MPX Signal Generator (MPX SG) . . . . . Connect to FM SG's external modulator terminals.
    - Oscilloscope . . . . . Connect horizontal input to MPX SG's PILOT OUT terminals and vertical input to No. 18 terminal of tuner assembly.
    - Distortion meter . . . . . Connect to TAPE REC jack.
  3. Tune FM SG and SX-737 to dial readings of 98MHz.
  4. Set MPX SG to ±67.5kHz deviation at 1kHz for left and right channels and FM SG output to 60dB.
  5. Produce a Lissajous pattern on oscilloscope and adjust VR2 to make the pattern still.
  6. Set MPX SG to ±67.5kHz deviation at 1kHz for left and right channels and to ±7.5kHz deviation for 19kHz pilot signal. Set FM SG output to 60dB.
  7. Adjust T5 to minimize distortion of audio frequencies for left or right channel.



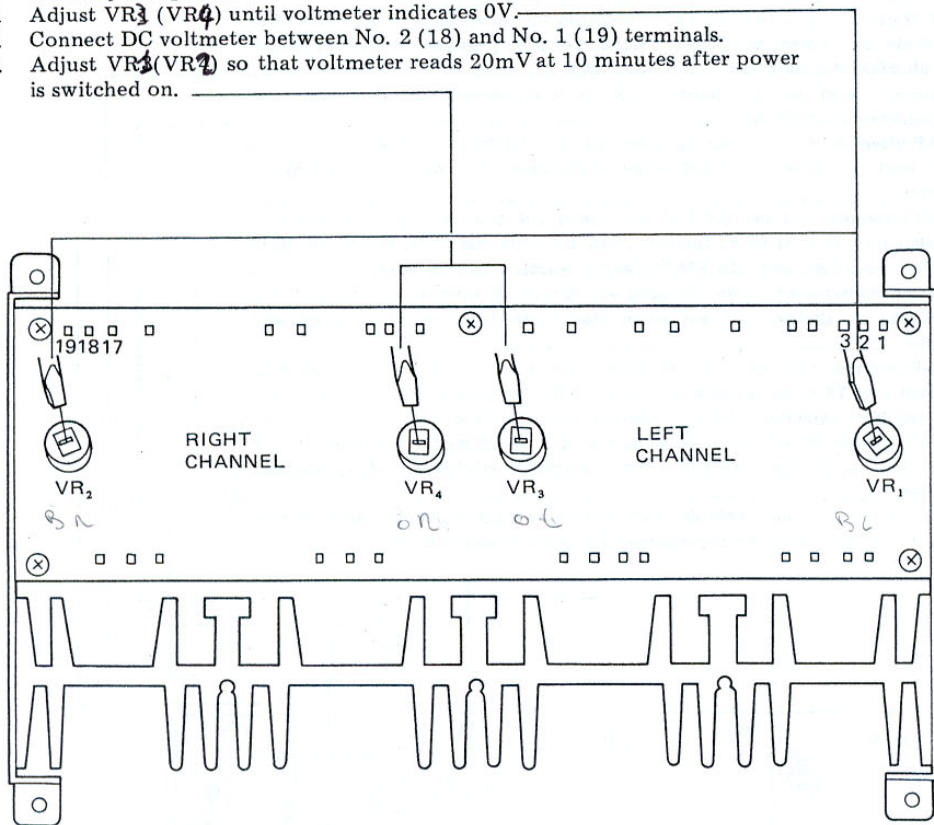
## AM Section

1. Switch positions on the SX-737:  
FUNCTION . . . . . AM  
POWER . . . . . ON  
REC SELECTOR . . . . . SOURCE
  2. Connection of instruments:  
AM Signal Generator (AM SG) . . . . Connect to AM ANTENNA terminals in series with dummy antenna (1k $\Omega$  resistor).
  3. Set AM SG to 30% modulation at 400Hz and 30dB output.
  4. Tune AM SG and SX-737 to dial readings of 600kHz and adjust T7 to maximize audio frequency output level. (Adjust core of ferrite loopstick antenna at the same time.)
  5. Tune AM SG and SX-737 to dial readings of 1,400kHz and adjust TC5 and TC6 to maximize audio frequency output level.
- Repeat steps 4 and 5 so that output is maximized when the dial indicates these frequencies.



**Power Amplifier (DC neutral voltage and idle current)**

- Do this adjustment when any of the transistors in the power amplifier has been replaced.
  - Terminal and VR numbers given first are for the left channel and those in brackets are for the right channel.
1. Switch positions on the SX-737:  
 FUNCTION . . . . . AUX  
 POWER . . . . . ON  
 SPEAKER . . . . . A (A button pressed in)
  2. Connect 8Ω dummy load to SPEAKER A terminals. (Keep AUX jacks free, and VOLUME control set at minimum.)
  3. Connect DC voltmeter to No. 3 (17) terminal of power amplifier assembly and ground it to chassis.
  4. Adjust VR<sub>3</sub> (VR<sub>4</sub>) until voltmeter indicates 0V.
  5. Connect DC voltmeter between No. 2 (18) and No. 1 (19) terminals.
  6. Adjust VR<sub>3</sub> (VR<sub>2</sub>) so that voltmeter reads 20mV at 10 minutes after power is switched on.



**POWER AMPLIFIER ASSEMBLY (AWH-033)**

## 9. EXPLODED VIEW AND PARTS LIST

**NOTE:**

Parts number is subject to change for the purpose of improvement with notice of a service bulletin.

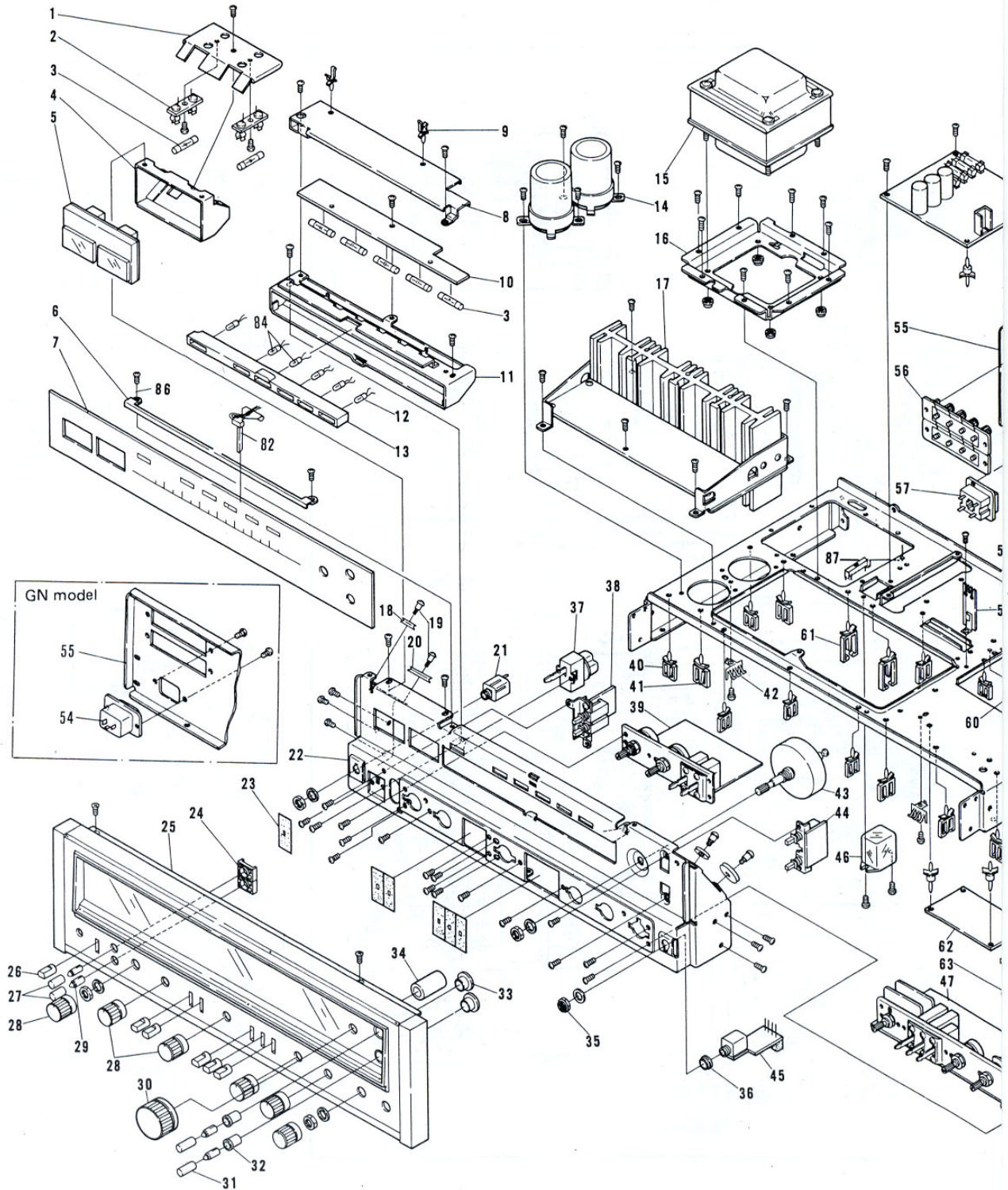
Service bulletin will be furnished whenever necessary and you are requested to amend parts number in this manual according to the instructions.

NOTICE: Any parts asterisked (\*) are subject to being not supplied.

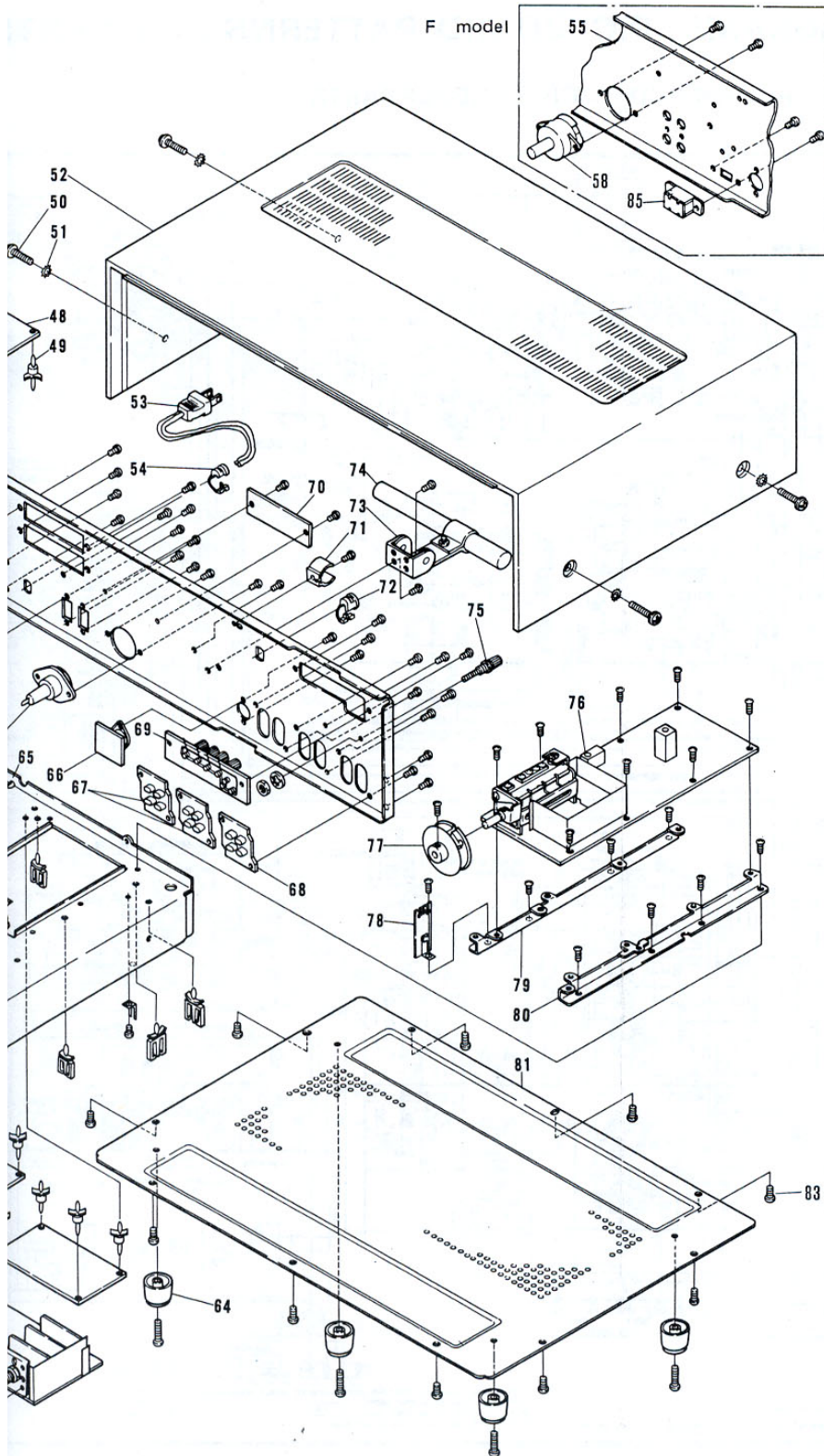
### Parts List of Exploded View

Key No.	Description	Part No.	
1*	Lamp-held metal	ANF-260-0	
2	Pilot lamp socket	AKK-002-0	
3	Pilot lamp 8V, 0.3A (meter & dial scale)	E22-032-0	
4*	Meter lamp box	ANH-218-0	
5	Meter (signal & tuning)	AAW-032-0	
6*	Dial scale-held metal	ANG-105-0	
7	Dial scale	AAG-079-A	
8*	P.C. board cover	ANK-072-0	
9*	Wire clip-C	AEC-007-0	
10	Lamp board assembly	AWX-072-0	
11*	Lamp box	ANH-217-A	
12	Pilot lamp 8V, 50mA (program indicator)	AEL-022-0	
13*	Rubber bracket	AEB-060-0	
14	Electrolytic capacitor 6,800 $\mu$ F 50V	ACH-014-0	
15	Power transformer	ATT-186-0	KCU
	Power transformer	ATT-192-0	F
	Power transformer	ATT-191-0	GN
16*	Sub-chassis	ANF-259-0	
17	Power amplifier assembly	AWH-033-0	
18*	Pulley (small)	AEC-153-0	
19*	Pulley shaft	M49-025-E	
20*	Pulley (large)	AEC-101-0	
21	Phone jack (headphone)	K72-026-0	
22*	Sub-panel	AND-075-A	
23*	Shading plate	AED-025-A	
24	Spacer	AEC-116-0	
25	Front panel assembly	ANB-273-0	
26	Knob (power, tape monitor, filter, loudness)	ADD-040-B	
27	Knob (speakers)	ADD-082-B	
28	Knob (volume, balance, bass, treble, function, rec selector)	AAB-068-0	
29	Coupler (knob-to-switch)	AAE-007-0	
30	Knob (tuning)	AAA-024-0	

# Exploded View



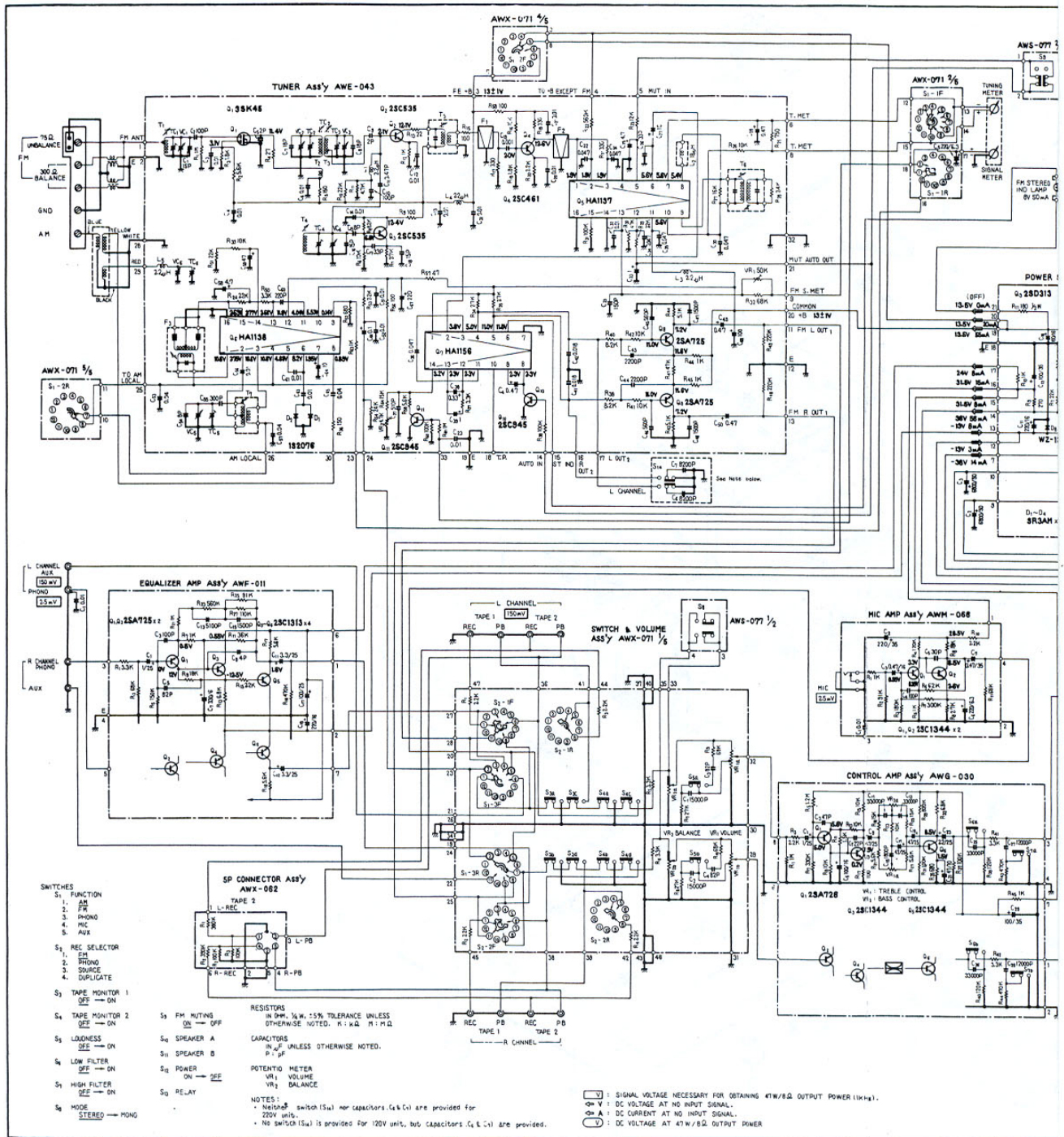
# SX-737





# 10. SCHEMATIC DIAGRAMS, P.C. BOARD PATTERNS AND PARTS

## 10.1 CIRCUIT CONNECTION DIAGRAM AND MISCELLANEOUS PARTS





# SX-737

## Miscellaneous Parts

- CAPACITORS: IN  $\mu$ F UNLESS OTHERWISE NOTED p: pF
- RESISTORS: IN  $\Omega$ ,  $\frac{1}{4}$ W UNLESS OTHERWISE NOTED k: k $\Omega$ , M: M $\Omega$

### CAPACITORS

Symbol	Description	Part No.	
C1	Ceramic 0.01 50V	CKDYF 103Z 50	
C2	Electrolytic 6,800 50V	ACH-014-0	
C3	Electrolytic 6,800 50V	ACH-014-0	
C4	Ceramic 0.01 250V	ACG-003-0	KCU
	Ceramic 0.01 250V	ACG-001-0	F, GN
C5	Ceramic 0.01 250V	ACG-001-0	KCU, F
C6	Mylar 0.0082 50V	CQMA 822J 50	KCU, F
C7	Mylar 0.0082 50V	CQMA 822J 50	KCU, F

### RESISTOR

Symbol	Description	Part No.	
R1	Carbon film 2.2M $\frac{1}{4}$ W	RD $\frac{1}{2}$ PS 225J	KCU

### SWITCHES

Symbol	Description	Part No.	
S12	Lever switch (power)	ASK-066-0	KCU
	Lever switch (power)	ASK-067-0	F
	Lever switch (power)	ASK-068-0	GN
S13	Relay	ASR-007-0	
S14	Slide switch (de-emphasis)	ASH-008-0	F

### COILS AND TRANSFORMERS

Symbol	Description	Part No.	
	Power transformer	ATT-186-0	KCU
	Power transformer	ATT-192-0	F
	Power transformer	ATT-191-0	GN
	Ferrite loopstick antenna	ATB-026-0	
	Balun	T22-025-A	

### OTHERS

Symbol	Description	Part No.	
	Tuner assembly	AWE-043-0	
	Equalizer amplifier assembly	AWF-011-0	
	Microphone amplifier assembly	AWM-066-0	
	Control amplifier assembly	AWG-030-0	
	Power amplifier assembly	AWH-033-0	
	Protection circuit assembly	AWM-025-C	
	Switch & volume circuit assembly	AWX-071-0	
	Speaker switch circuit assembly	AWS-076-0	
	Push switch circuit assembly	AWS-077-0	
	5P connector assembly	AWX-062-0	
	Power supply circuit assembly	AWR-057-0	KCU, F
	Power supply circuit assembly	AWR-058-0	GN
	Lamp board assembly	AWX-072-0	
	Front panel assembly	ANB-273-0	
	Wooden cabinet	AMM-040-0	

Continued on the Next Page

Symbol	Description	Part No.	
	Tuning pulley assembly	AXA-058-A	
	Tuning shaft assembly	AXA-057-0	
	Foot assembly	AEC-061-A	
	Knob (tuning)	AAA-024-0	
	Knob (power, filter, tape monitor, loudness)	AAD-040-B	
	Knob (volume, balance, bass, treble, function, rec selector)	AAB-068-0	
	Knob (mode, FM muting)	AAD-054-0	
	Dial scale	AAG-079-A	
	Dial pointer assembly	AAF-020-0	
	Meter (signal & tuning)	AAW-032-0	
	Knob (speakers)	AAD-082-B	
	Antenna terminal board	AKA-002-0	
	Speaker output terminal	AKA-001-0	
	Phono jack-A (4 jacks)	AKB-014-0	
	Phono jack-B (4 jacks)	AKB-015-0	
	Pilot lamp 8V, 50mA (program indicator)	AEL-023-0	
	Binding post for ground	AKE-017-0	
	Pilot lamp 8V, 0.3A (dial scale)	E22-032-0	
	Pilot lamp 8V, 50mA (program indicator)	AEL-022-0	
F1	Fuse 3A (protection)	AEK-101-0	KCU, F GN
	Fuse 3.15A (protection)	AEK-042-0	
F2	Fuse 1A (protection)	AEK-106-0	KCU, F GN
	Fuse 1A (protection)	E21-031-0	
F3	Fuse 1A (protection)	AEK-106-0	KCU, F GN
	Fuse 1A (protection)	E21-031-0	
F4	Fuse 1A (protection)	AEK-106-0	KCU, F GN
	Fuse 1A (protection)	E21-031-0	
F5	Fuse 3A (AC power)	AEK-101-0	KCU F
	Fuse 1.5A (AC power)	AEK-104-0	
	Fuse 1.6A (protection)	AEK-013-0	GN
F6	Fuse 3A (protection)	AEK-003-0	KCU
	Fuse holder (AC power)	AKR-007-0	KCU
	Fuse holder (AC power)	AKR-001-0	F
	Connector (AC power)	AKP-008-0	GN
	Fuse holder (protection)	K91-008-0	GN
	Phone jack (headphone)	K72-026-0	
	AC socket	AKP-004-0	KCU, F
	Pilot lamp socket	AKK-002-0	
	AC power cord	ADG-005-A	KCU
	AC power cord	ADG-004-0	F
	Washer	B21-011-0	
	Screw M4 x 15	ABA-010-A	
	FM T-type antenna	ADH-002-0	
	Operating instructions (English)	ARB-105-0	
	Operating instructions (French/German)	ARD-069-0	
	Packing case	AHD-223-0	
	Inside packing	AHC-015-0	
	Side pad	AHA-068-0	

Miscellaneous Parts

# SX-737

NOTICE: Any parts asterisked (\*) are subject to being not supplied.

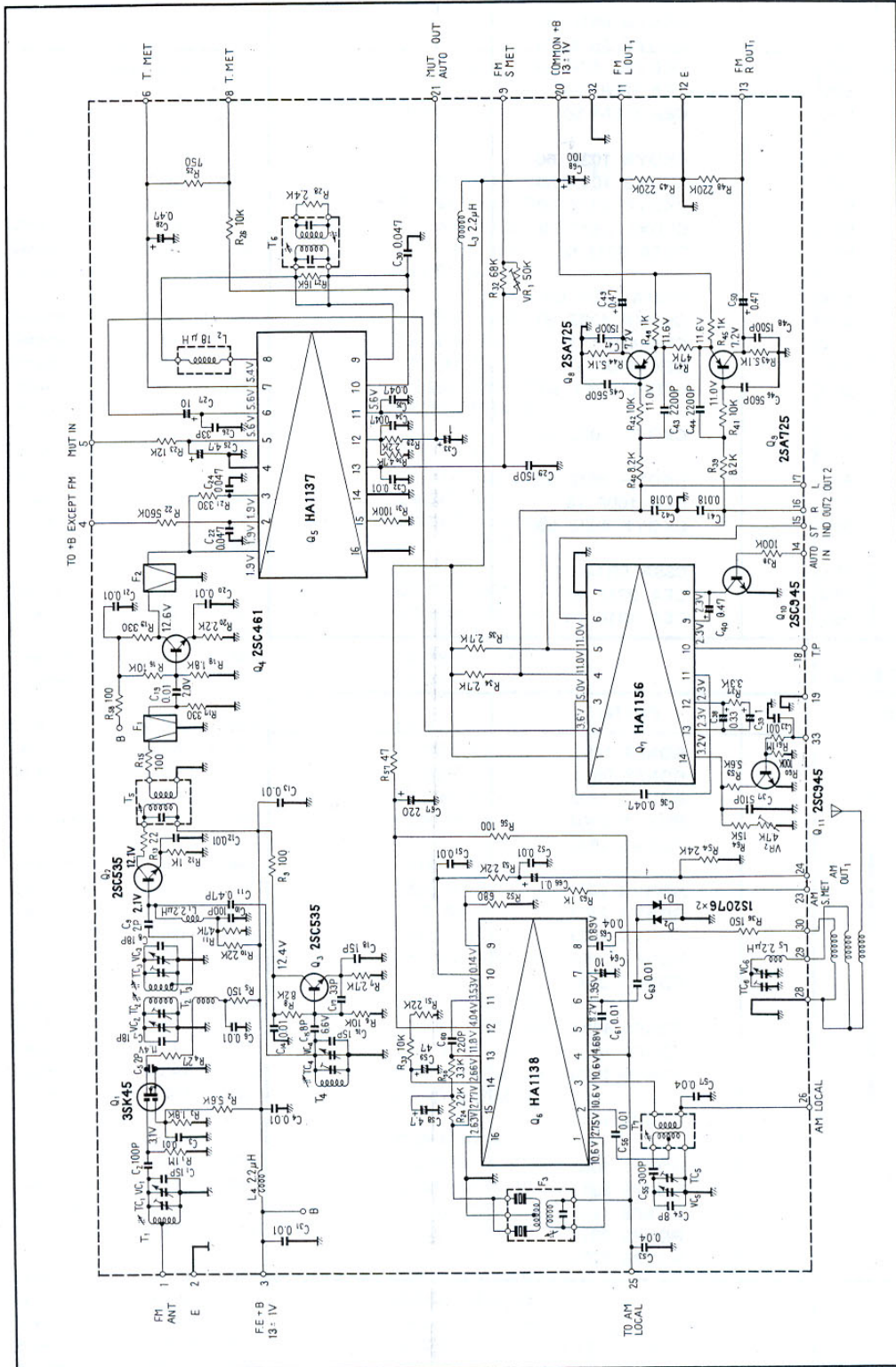
Key No.	Description	Part No.	
31	Knob (mode, FM muting)	AAD-054-0	
32	Spacer	AEC-152-B	
33	Bush	AEC-160-0	
34 *	Sponge rubber	AEC-119-0	
35	Nut (insulator)	AEC-085-0	
36	Spacer (insulator)	E32-045-0	
37	Lever switch (power)	ASK-066-0	KCU
	Lever switch (power)	ASK-067-0	F
	Lever switch (power)	ASK-068-0	GN
38	Speaker switch circuit assembly	AWS-076-0	
39	Control amplifier assembly	AWG-030-0	
40 *	Wire clip-A	AEC-004-0	
41 *	Wire clip-B	AEC-005-0	
42	Ground terminal strip (4P)	K13-047-0	
43	Tuning shaft assembly	AXA-057-0	
44	Push switch circuit assembly	AWS-077-0	
45	Microphone amplifier assembly	AWM-066-0	
46	Relay	ASR-007-0	
47	Switch & volume circuit assembly	AWX-071-0	
48	Power supply circuit assembly	AWR-057-0	KCU, F
	Power supply circuit assembly	AWR-058-0	GN
49 *	P.C. board holder	AEB-019-0	
50	Screw M4 x 15	ABA-010-A	
51	Washer	B21-011-0	
52	Wooden cabinet	AMM-040-0	
53	AC power cord	ADG-005-A	KCU
	AC power cord	ADG-004-0	F
54	AC cord grommet	AEC-079-0	KCU, F
	Connector (AC power)	AKP-008-0	GN
55 *	Rear panel	ANC-118-0	KCU
	Rear panel	ANC-119-0	F
	Rear panel	ANC-120-0	GN
56	Speaker output terminal	AKA-001-0	
57	AC socket	AKP-004-0	KCU, F
58	Fuse holder (AC power)	AKR-007-0	KCU
	Fuse holder (AC power)	AKR-001-0	F
59 *	Wire supporter	M45-105-C	
60	Ground terminal strip (2P)	K13-048-0	
61 *	Wire clip	AEC-064-0	
62	Equalizer amplifier assembly	AWF-011-0	
63	Protection circuit assembly	AWM-025-C	
64	Foot assembly	AEC-061-A	
65 *	Chassis	ANA-069-A	
66	5P connector assembly	AWX-062-0	
67	Phono jack-A (4 jacks)	AKB-014-0	
68	Phono jack-B (4 jacks)	AKB-015-0	
69	Antenna terminal board	AKA-002-0	
70 *	Model name plate	AAL-183-0	KCU
	Model name plate	AAL-203-0	F
	Model name plate	AAL-185-0	GN

Continued on the Next Page

NOTICE: Any parts asterisked (\*) are subject to being not supplied.

Key No.	Description	Part No.	
71	Antenna clamper	AEC-154-0	
72	AC cord grommet	AEC-079-0	
73	Ferrite antenna holder assembly	AXB-001-A	
74	Ferrite loopstick antenna	ATB-026-0	
75	Binding post for ground	AKE-017-0	
76	Tuner assembly	AWE-043-0	
77	Tuning pulley assembly	AXA-058-A	
78*	Wire supporter	M45-105-C	
79*	P.C. board-held metal-A	ANF-237-C	
80*	P.C. board-held metal-B	ANF-238-C	
81*	Bottom plate	ANE-058-0	
82	Dial pointer	AAF-020-0	
83	Screw	ABA-012-0	
84	Pilot lamp 8V,50mA(program indicator)	AEL-023-0	
85	Slide switch (de-emphasis)	ASH-008-0	GN
86	Small pulley	AEC-017-0	
87	Terminal strip (2P)	AKC-023-0	GN

# 10.2 TUNER ASSEMBLY (AWE-043-0)



- 3SK45
- 2SC945
- 2SC461
- 2SA725
- 2SC945
- HA1137
- HA1138
- HA1156
- 12076
- HA1137
- 413
- 12
- 2SA725





Parts List of Tuner Assembly (AWE-043-0)

CAPACITORS

Symbol	Description	Part No.
VC	Tuning capacitor	ACK-005-0
TC	Ceramic trimmer	C43-007-0
C1	Ceramic 15p 50V	CCDSH 150K 50
C2	Ceramic 100p 50V	CCDSL 101K 50
C3	Ceramic 0.01 50V	CKDYF 103Z 50
C4	Ceramic 0.01 50V	CKDYF 103Z 50
C5	Ceramic 2p 50V	CCDSL 020C 50
C6	Ceramic 0.01 50V	CKDYF 103Z 50
C7	Ceramic 18p 50V	CCDSH 180K 50
C8	Ceramic 18p 50V	CCDSH 180K 50
C9	Ceramic 2p 50V	CCDSL 020C 50
C10	Ceramic 100p 50V	CCDSL 101K 50
C11	Ceramic 0.47p 50V	CGB R47K 50
C12	Ceramic 0.01 50V	CKDYF 103Z 50
C13	Ceramic 0.01 50V	CKDYF 103Z 50
C14	Ceramic 0.01 50V	CKDYB 103K 50
C15	Ceramic 8p 50V	CCDCH 080F 50
C16	Ceramic 15p 50V	CCDLH 150K 50
C17	Ceramic 33p 50V	CCDCH 330K 50
C18	Ceramic 15p 50V	CCDCH 150K 50
C19	Ceramic 0.01 50V	CKDYF 103Z 50
C20	Ceramic 0.01 50V	CKDYF 103Z 50
C21	Ceramic 0.01 50V	CKDYF 103Z 50
C22	Ceramic 0.047 25V	CKDBC 473Z 25
C23	Ceramic 0.01 50V	CKDYF 103Z 50
C24	Ceramic 0.047 25V	CKDBC 473Z 25
C25	Electrolytic 4.7 25V	CEA 4R7P 25
C26	Ceramic 33p 50V	CCDSL 330K 50
C27	Electrolytic 10 16V	CEA 100P 16
C28	Electrolytic 0.47 50V	CEA R47P 50
C29	Ceramic 150p 50V	CCDSL 151K 50
C30	Ceramic 0.047 25V	CKDBC 473Z 25
C31	Ceramic 0.01 50V	CKDYF 103Z 50
C32	Ceramic 0.01 50V	CKDYF 103Z 50
C33	Electrolytic 1 50V	CEA 010P 50
C34	Ceramic 0.047 25V	CKDBC 473Z 25
C35	Ceramic 0.047 25V	CKDBC 473Z 25
C36	Mylar 0.047 50V	CQMA 473K 50
C37	Styrol 510p 50V	CQSH 511J 50
C38	Electrolytic 0.33 10V	CSSA R33M 10
C39	Electrolytic 1 10V	CSSA 010M 10
C40	Electrolytic 0.47 10V	CSSA R47M 10
C41	Mylar 0.018 50V	CQMA 183J 50
C42	Mylar 0.018 50V	CQMA 183J 50
C43	Ceramic 0.0022 50V	CKDYB 222K 50
C44	Ceramic 0.0022 50V	CKDYB 222K 50
C45	Ceramic 560p 50V	CKDYB 561K 50

Symbol	
C46	Cer
C47	Cer
C48	Cer
C49	Elec
C50	Elec
C51	Cer
C52	Cer
C53	Cer
C54	Cer
C55	Styr
C56	Myl
C57	Cer
C58	Elec
C59	Elec
C60	Cer
C61	Cer
C62	
C63	Cer
C64	Elec
C65	Cer
C66	Elec
C67	Elec
C68	Elec

RESISTORS AND

Symbol	
R1	Carl
R2	Carl
R3	Carl
R4	Carl
R5	Carl
R6	Carl
R7	Carl
R8	Carl
R9	Carl
R10	Carl
R11	Carl
R12	Carl
R13	Carl
R14	
R15	Carl
R16	Carl
R17	Carl
R18	Carl
R19	Carl
R20	Carl

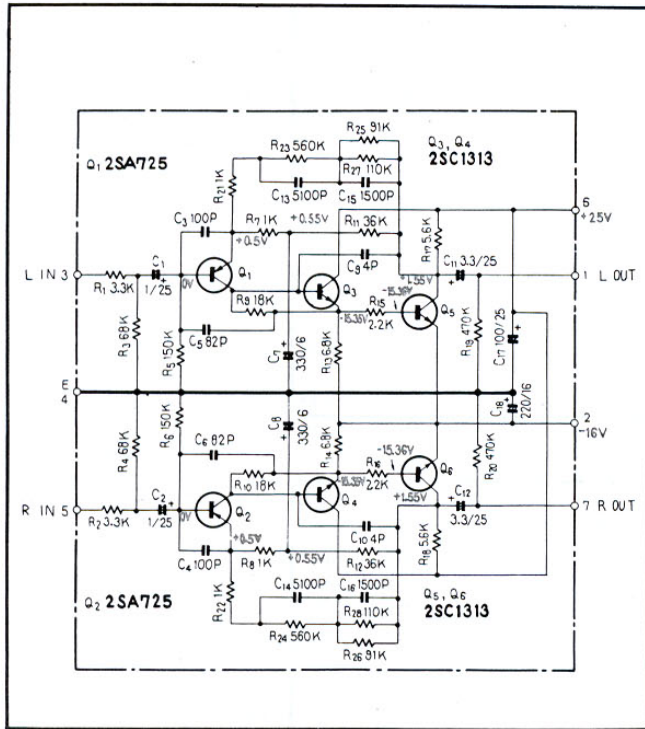
Description			Part No.
nic	560p	50V	CKDYB 561K 50
nic	0.0015	50V	CKDYB 152K 50
nic	0.0015	50V	CKDYB 152K 50
rolytic	0.47	50V	CEA R47P 50
rolytic	0.47	50V	CEA R47P 50
nic	0.01	50V	CKDYB 103K 50
nic	0.01	50V	CKDYB 103K 50
nic	0.04	50V	CKDYF 403Z 50
nic	8p	50V	CCDXL 080F 50
l	300p	50V	CQSA 301J 50
r	0.01	50V	CQMA 103K 50
nic	0.04	50V	CKDYF 403Z 50
rolytic	4.7	25V	CEA 4R7P 25
rolytic	47	6V	CEA 470P 6
nic	220p	50V	CCDSL 221K 50
nic	0.01	50V	CKDYF 103Z 50
nic	0.01	50V	CKDYF 103Z 50
rolytic	10	16V	CEA 100P 16
nic	0.04	50V	CKDYF 403Z 50
rolytic	0.1	25V	CSSA 0R1M 25
rolytic	220	16V	CEA 221P 16
rolytic	100	16V	CEA 101P 16

#### POTENTIOMETERS

Description		Part No.
on film	1M	RD½PS 105J
on film	5.6k	RD½PS 562J
on film	1.8k	RD½VS 182J
on film	27	RD½VS 270J
on film	150	RD½VS 151J
on film	10k	RD½VS 103J
on film	2.7k	RD½VS 272J
on film	8.2k	RD½VS 822J
on film	100	RD½PS 101J
on film	22k	RD½VS 22K
on film	4.7k	RD½PS 472J
on film	1k	RD½PS 102J
on film	22	RD½VS 220J
on film	100	RD½PS 101J
on film	10k	RD½PS 103J
on film	330	RD½PS 331J
on film	1.8k	RD½PS 182J
on film	330	RD½PS 331J
on film	2.2k	RD½PS 222J

### 10.3 EQUALIZER AMPLIFIER ASSEMBLY (AWF-011-0)

### Parts List of



2SA725  
2SC1313



2SC1345



2SA763P



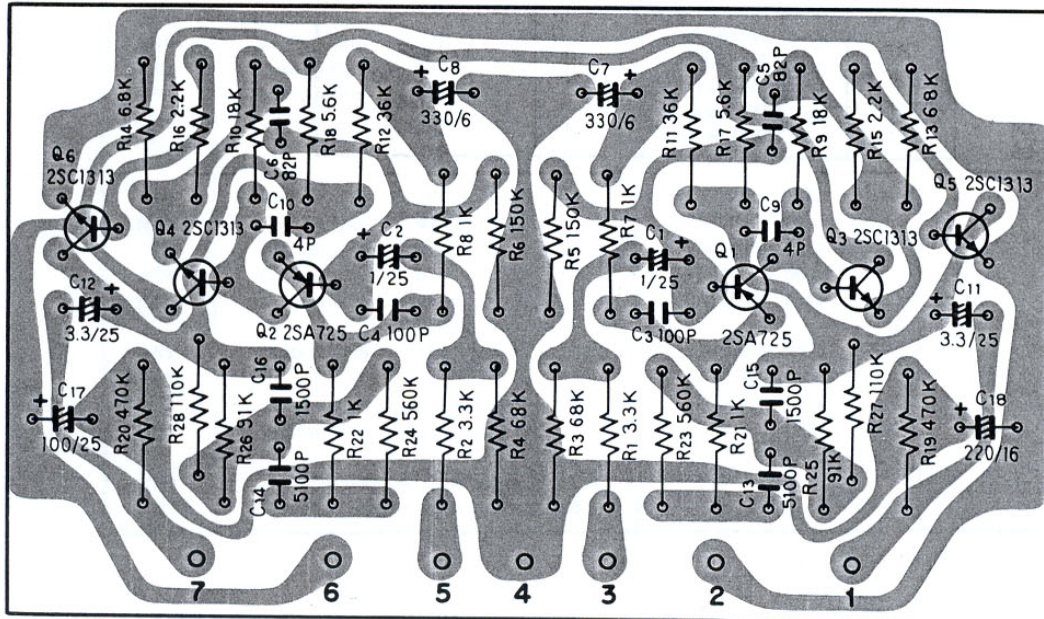
### CAPACITORS

Symbol	
C1	E
C2	E
C3	C
C4	C
C5	C
C6	C
C7	E
C8	E
C9	C
C10	C
C11	E
C12	E
C13	S
C14	S
C15	S
C16	S
C17	E
C18	E

### RESISTORS

Symbol	
R1	C
R2	C
R3	C
R4	C
R5	C
R6	C
R7	C
R8	C
R9	C
R10	C
R11	C
R12	C
R13	C
R14	C
R15	C
R16	C
R17	C
R18	C
R19	C
R20	C

### Foil Side (AWF-011-0)



**Equalizer Amplifier Assembly (AWF-011-0)**

Description			Part No.
Electrolytic	1	25V	CSSA 101M 25
Electrolytic	1	25V	CSSA 101M 25
Ceramic	100p	50V	CCDSL 101K 50
Ceramic	100p	50V	CCDSL 101K 50
Ceramic	82p	50V	CCDSL 820K 50
Ceramic	82p	50V	CCDSL 820K 50
Electrolytic	330	6V	CEA 331P 6
Electrolytic	330	6V	CEA 331P 6
Ceramic	4p	50V	CCDSL 040D 50
Ceramic	4p	50V	CCDSL 040D 50
Electrolytic	3.3	25V	CEANL 3R3P 25
Electrolytic	3.3	25V	CEANL 3R3P 25
Resistor	0.0051	50V	CQSA 512G 50
Resistor	0.0051	50V	CQSA 512G 50
Resistor	0.0015	50V	CQSA 152G 50
Resistor	0.0015	50V	CQSA 152G 50
Electrolytic	100	25V	CEA 101P 25
Electrolytic	220	16V	CEA 221P 16

Description			Part No.
Carbon film	3.3k		RD%PS 332J
Carbon film	3.3k		RD%PS 332J
Carbon film	68k		RD%PS 683J
Carbon film	68k		RD%PS 683J
Carbon film	150k		RD%PS 154J
Carbon film	150k		RD%PS 154J
Carbon film	1k		RD%PS 102J
Carbon film	1k		RD%PS 102J
Carbon film	18k		RD%PS 183J
Carbon film	18k		RD%PS 183J
Carbon film	36k		RD%PS 363J
Carbon film	36k		RD%PS 363J
Carbon film	6.8k		RD%PS 682J
Carbon film	6.8k		RD%PS 682J
Carbon film	2.2k		RD%PS 222J
Carbon film	2.2k		RD%PS 222J
Carbon film	5.6k		RD%PS 562J
Carbon film	5.6k		RD%PS 562J
Carbon film	470k		RD%PS 474JNL
Carbon film	470k		RD%PS 474JNL

Symbol	Description	Part No.
R21	Carbon film 330	RD¼PS 331J
R22	Carbon film 560k	RD¼PS 564J
R23	Carbon film 12k	RD¼PS 123J
R24	Carbon film 2.2k	RD¼PS 222J
R25	Carbon film 750	RD¼PS 751J
R26	Carbon film 10k	RD¼PS 103J
R27	Carbon film 16k	RD¼PS 163J
R28	Carbon film 2.4k	RD¼PS 242J
R29	Carbon film 2.2k	RD¼PS 222J
R30	Carbon film 47k	RD¼PS 473J
R31	Carbon film 100k	RD¼PS 104J
R32	Carbon film 68k	RD¼PS 683J
R33	Carbon film 10k	RD¼VS 103J
R34	Carbon film 2.7k	RD¼PS 272J
R35	Carbon film 2.7k	RD¼PS 272J
R36	Carbon film 150	RD¼PS 151J
R37	Carbon film 3.3k	RD¼PS 332J
R38	Carbon film 100k	RD¼PS 104J
R39	Carbon film 8.2k	RD¼PS 822J
R40	Carbon film 8.2k	RD¼PS 822J
R41	Carbon film 10k	RD¼PS 103J
R42	Carbon film 10k	RD¼PS 103J
R43	Carbon film 5.1k	RD¼PS 512J
R44	Carbon film 5.1k	RD¼PS 512J
R45	Carbon film 1k	RD¼PS 102J
R46	Carbon film 1k	RD¼PS 102J
R47	Carbon film 47k	RD¼PS 473J
R48	Carbon film 220k	RD¼PS 224J
R49	Carbon film 220k	RD¼PS 224J
R50	Carbon film 3.3k	RD¼PS 332J
R51	Carbon film 22k	RD¼PS 223J
R52	Carbon film 680	RD¼PS 681J
R53	Carbon film 2.2k	RD¼PS 222J
R54	Carbon film 24k	RD¼PS 243J
R55		
R56	Carbon film 100	RD¼PS 101J
R57	Carbon film 47	RD¼PS 470J
R58	Carbon film 100	RD¼PS 101J
R59	Carbon film 5.6k	RD¼VS 562J
R60	Carbon film 100k	RD¼PS 104J
R61	Carbon film 1M	RD¼PS 105J
R62		
R63	Carbon film 1k	RD¼PS 102J
R64	Carbon film 15k	RD¼PS 153J
VR1	Variable resistor, semi-fixed 50k-B	ACP-043-0
VR2	Variable resistor, semi-fixed 4.7k-B	C92-051-0

SEMIC

Symbol
Q1
Q2
Q3
Q4
Q5
Q6
Q7
Q8
Q9
Q10
Q11
D1
D2

TRANS

Symbol
T1
T2
T3
T4
T5
T6
T7
F1
F2
F3
L1
L2
L3
L4
L5

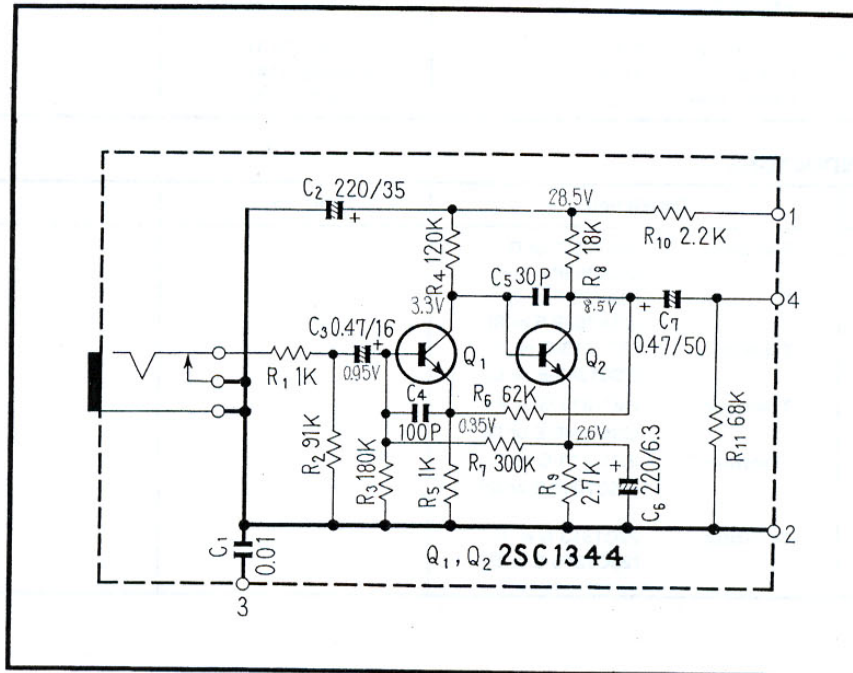
**SX-737****INDUCTORS**

Description		Part No.
FET	3SK45-B	
Transistor	2SC535-B or A	
Transistor	2SC535-B or A	
Transistor	2SC461-B	
IC	HA1137	
IC	HA1138	
IC	HA1156	
Transistor	2SA725-F or G (2SA763P-5 or 6)	
Transistor	2SA725-F or G (2SA763P-5 or 6)	
Transistor	2SC945-Q or R	
Transistor	2SC945-Q or R	
Diode	1S2076	
Diode	1S2076	

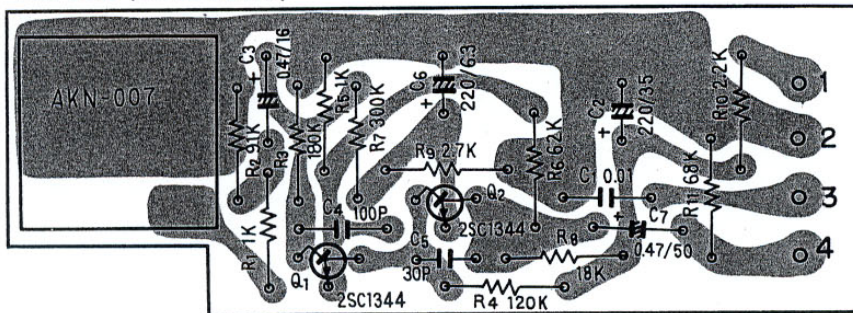
**FORMERS, COILS AND FILTERS**

Description		Part No.
FM antenna coil		ATC-021-0
FM RF coil		ARC-015-0
FM RF coil		ATC-016-0
FM OSC coil		ATC-022-0
FM matching transformer		ATE-008-0
FM IF transformer		T73-035-A
AM OSC coil		ATB-013-0
FM ceramic filter		ATF-013-0
FM ceramic filter		ATF-013-0
AM ceramic filter		ATF-009-0
RF choke coil		T24-028-A
Choke coil		ATH-007-0
RF choke coil		T24-028-A
RF choke coil		T24-028-A
RF choke coil		T24-028-A

## 10.4 MICROPHONE AMPLIFIER ASSEMBLY (AWM-066-0)



### Foil Side (AWM-066-0)



2SC1312



2SC1344



**SX-737**

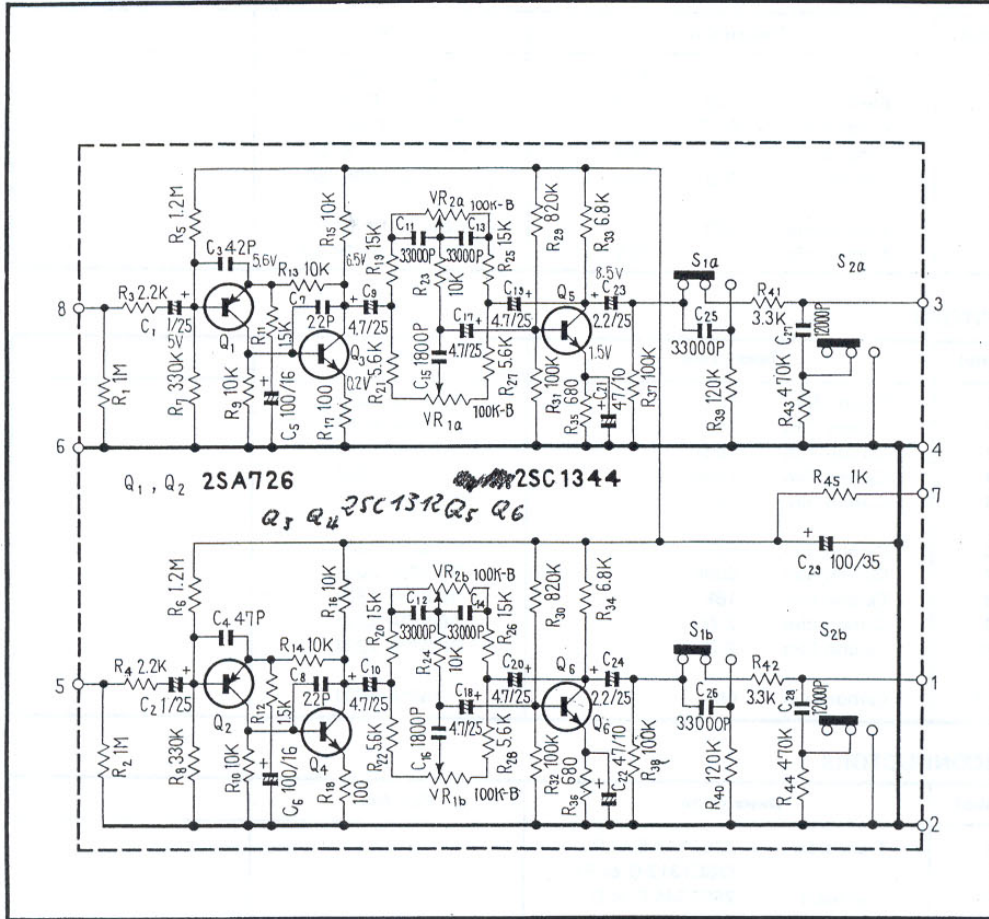
Symbol	Description	Part No.
R21	Carbon film 1k	RD¼PS 102J
R22	Carbon film 1k	RD¼PS 102J
R23	Carbon film 560k	RD¼PS 564JNL
R24	Carbon film 560k	RD¼PS 564JNL
R25	Carbon film 91k	RD¼PS 913J
R26	Carbon film 91k	RD¼PS 913J
R27	Carbon film 110k	RD¼PS 114J
R28	Carbon film 110k	RD¼PS 114J

**SEMICONDUCTORS**

Symbol	Description	Part No.
Q1	Transistor 2SA725-F or G (2SA763P-5 or 6)	
Q2	Transistor 2SA725-F or G (2SA763P-5 or 6)	
Q3	Transistor 2SC1313-G or F (2SC1345-E or D)	
Q4	Transistor 2SC1313-G or F (2SC1345-E or D)	
Q5	Transistor 2SC1313-G or F (2SC1345-E or D)	
Q6	Transistor 2SC1313-G or F (2SC1345-E or D)	



# 10.5 CONTROL AMPLIFIER ASSEMBLY (AWG-030-0)

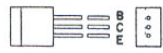


Q<sub>1</sub>, Q<sub>2</sub> 2SA726  
 Q<sub>3</sub>, Q<sub>4</sub> 2SC1312  
 Q<sub>5</sub>, Q<sub>6</sub> 2SC1344

2SA726  
 2SC1312



2SC1344



**Parts List of Microphone Amplifier Assembly (AWM-066-0)**

**CAPACITORS**

Symbol	Description	Part No.
C1	Ceramic 0.01 50V	CKDYF 103Z 50
C2	Electrolytic 220 35V	CEA 221P 35
C3	Electrolytic 0.47 16V	CSSA R47M 16
C4	Ceramic 100p 50V	CCDSL 101K 50
C5	Ceramic 30p 50V	CCDSL 300K 50
C6	Electrolytic 220 6V	CEA 221P 6
C7	Electrolytic 0.47 50V	CEANL R47P 50

**RESISTORS**

Symbol	Description	Part No.
R1	Carbon film 1k	RD¼PM 102J
R2	Carbon film 91k	RD¼PM 913J
R3	Carbon film 180k	RD¼PM 184J
R4	Carbon film 120k	RD¼PM 124J
R5	Carbon film 1k	RD¼PM 102J
R6	Carbon film 62k	RD¼PM 623J
R7	Carbon film 300k	RD¼PM 304J
R8	Carbon film 18k	RD¼PM 183J
R9	Carbon film 2.7k	RD¼PM 272J
R10	Carbon film 2.2k	RD¼PM 222J
R11	Carbon film 68k	RD¼PM 683J

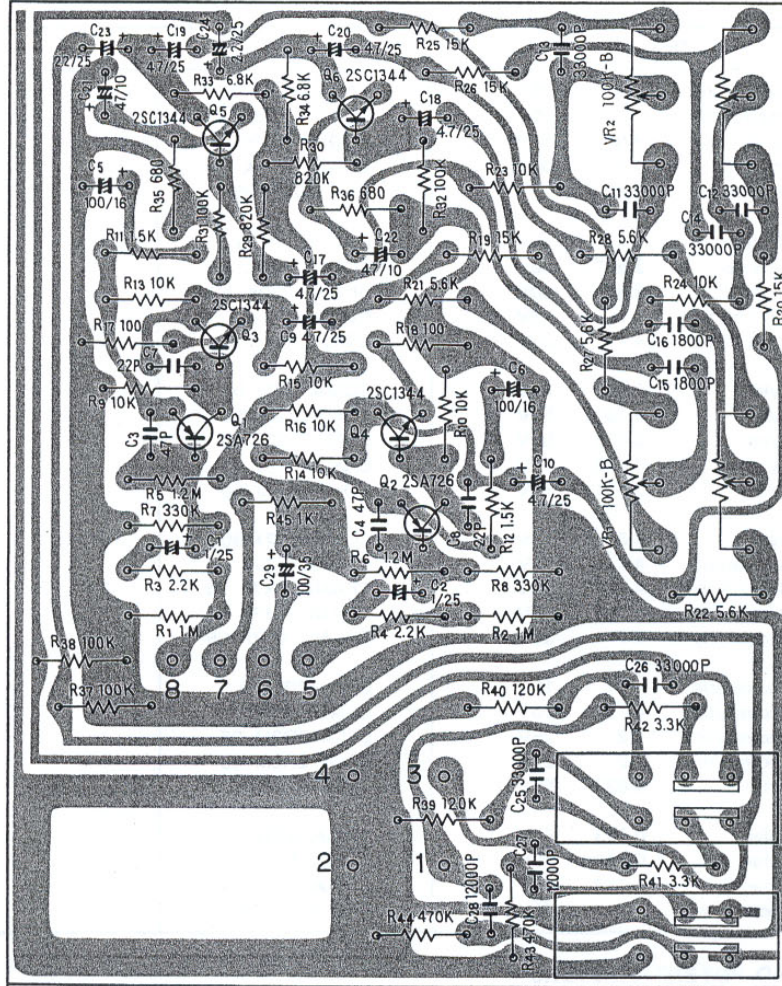
**SEMICONDUCTORS**

Symbol	Description	Part No.
Q1	Transistor 2SC1344-E or D (2SC1312-G or F)	
Q2	Transistor 2SC1344-E or D (2SC1312-G or F)	

**OTHERS**

Symbol	Description	Part No.
	Phone jack (microphone)	AKN-007-0

Foil Side (AWG-030-0)



## Parts List of Control Amplifier Assembly (AWG-030-0)

### CAPACITORS

Symbol	Description			Part No.
C1	Electrolytic	1	25V	CSZA 010M 25
C2	Electrolytic	1	25V	CSZA 010M 25
C3	Ceramic	47p	50V	CCDSL 470K 50
C4	Ceramic	47p	50V	CCDSL 470K 50
C5	Electrolytic	100	16V	CEA 101P 16
C6	Electrolytic	100	16V	CEA 101P 16
C7	Ceramic	22p	50V	CCDSL 220K 50
C8	Ceramic	22p	50V	CCDSL 220K 50
C9	Electrolytic	4.7	25V	CEANL 4R7P 25
C10	Electrolytic	4.7	25V	CEANL 4R7P 25
C11	Mylar	0.033	50V	CQMA 333J 50
C12	Mylar	0.033	50V	CQMA 333J 50
C13	Mylar	0.033	50V	CQMA 333J 50
C14	Mylar	0.033	50V	CQMA 333J 50
C15	Mylar	0.0018	50V	CQMA 182J 50
C16	Mylar	0.0018	50V	CQMA 182J 50
C17	Electrolytic	4.7	25V	CEANL 4R7P 25
C18	Electrolytic	4.7	25V	CEANL 4R7P 25
C19	Electrolytic	4.7	25V	CEANL 4R7P 25
C20	Electrolytic	4.7	25V	CEANL 4R7P 25
C21	Electrolytic	47	10V	CEA 470P 10
C22	Electrolytic	47	10V	CEA 470P 10
C23	Electrolytic	2.2	25V	CSSA 2R2M 25
C24	Electrolytic	2.2	25V	CSSA 2R2M 25
C25	Mylar	0.033	50V	CQMA 333J 50
C26	Mylar	0.033	50V	CQMA 333J 50
C27	Mylar	0.012	50V	CQMA 123J 50
C28	Mylar	0.012	50V	CQMA 123J 50
C29	Electrolytic	100	35V	CEA 101P 35

### RESISTORS AND POTENTIOMETERS

Symbol	Description			Part No.
VR1	Variable resistor 100k-B(treble)			ACV-136-0
VR2	Variable resistor 100k-B(bass)			ACV-136-0
R1	Carbon film	1M		RD¼PM 105J
R2	Carbon film	1M		RD¼PM 105J
R3	Carbon film	2.2k		RD¼PM 222J
R4	Carbon film	2.2k		RD¼PM 222J
R5	Carbon film	1.2M		RD¼PM 125J
R6	Carbon film	1.2M		RD¼PM 125J
R7	Carbon film	330k		RD¼PM 334J
R8	Carbon film	330k		RD¼PM 334J
R9	Carbon film	10k		RD¼PM 103J
R10	Carbon film	10k		RD¼PM 103J
R11	Carbon film	1.5k		RD¼PM 152J
R12	Carbon film	1.5k		RD¼PM 152J
R13	Carbon film	10k		RD¼PM 103J

**SX-737**

Symbol	Description	Part No.
R14	Carbon film 10k	RD¼PM 103J
R15	Carbon film 10k	RD¼PM 103J
R16	Carbon film 10k	RD¼PM 103J
R17	Carbon film 100	RD¼PM 101J
R18	Carbon film 100	RD¼PM 101J
R19	Carbon film 15k	RD¼PM 153J
R20	Carbon film 15k	RD¼PM 153J
R21	Carbon film 5.6k	RD¼PM 562J
R22	Carbon film 5.6k	RD¼PM 562J
R23	Carbon film 10k	RD¼PM 103J
R24	Carbon film 10k	RD¼PM 103J
R25	Carbon film 15k	RD¼PM 153J
R26	Carbon film 15k	RD¼PM 153J
R27	Carbon film 5.6k	RD¼PM 562J
R28	Carbon film 5.6k	RD¼PM 562J
R29	Carbon film 820k	RD¼PM 824J
R30	Carbon film 820k	RD¼PM 824J
R31	Carbon film 100k	RD¼PM 104J
R32	Carbon film 100k	RD¼PM 104J
R33	Carbon film 6.8k	RD¼PM 682J
R34	Carbon film 6.8k	RD¼PM 682J
R35	Carbon film 680	RD¼PM 681J
R36	Carbon film 680	RD¼PM 681J
R37	Carbon film 100k	RD¼PM 104J
R38	Carbon film 100k	RD¼PM 104J
R39	Carbon film 120k	RD¼PM 124J
R40	Carbon film 120k	RD¼PM 124J
R41	Carbon film 3.3k	RD¼PM 332J
R42	Carbon film 3.3k	RD¼PM 332J
R43	Carbon film 470k	RD¼PM 474J
R44	Carbon film 470k	RD¼PM 474J
R45	Carbon film 1k	RD¼PM 102J

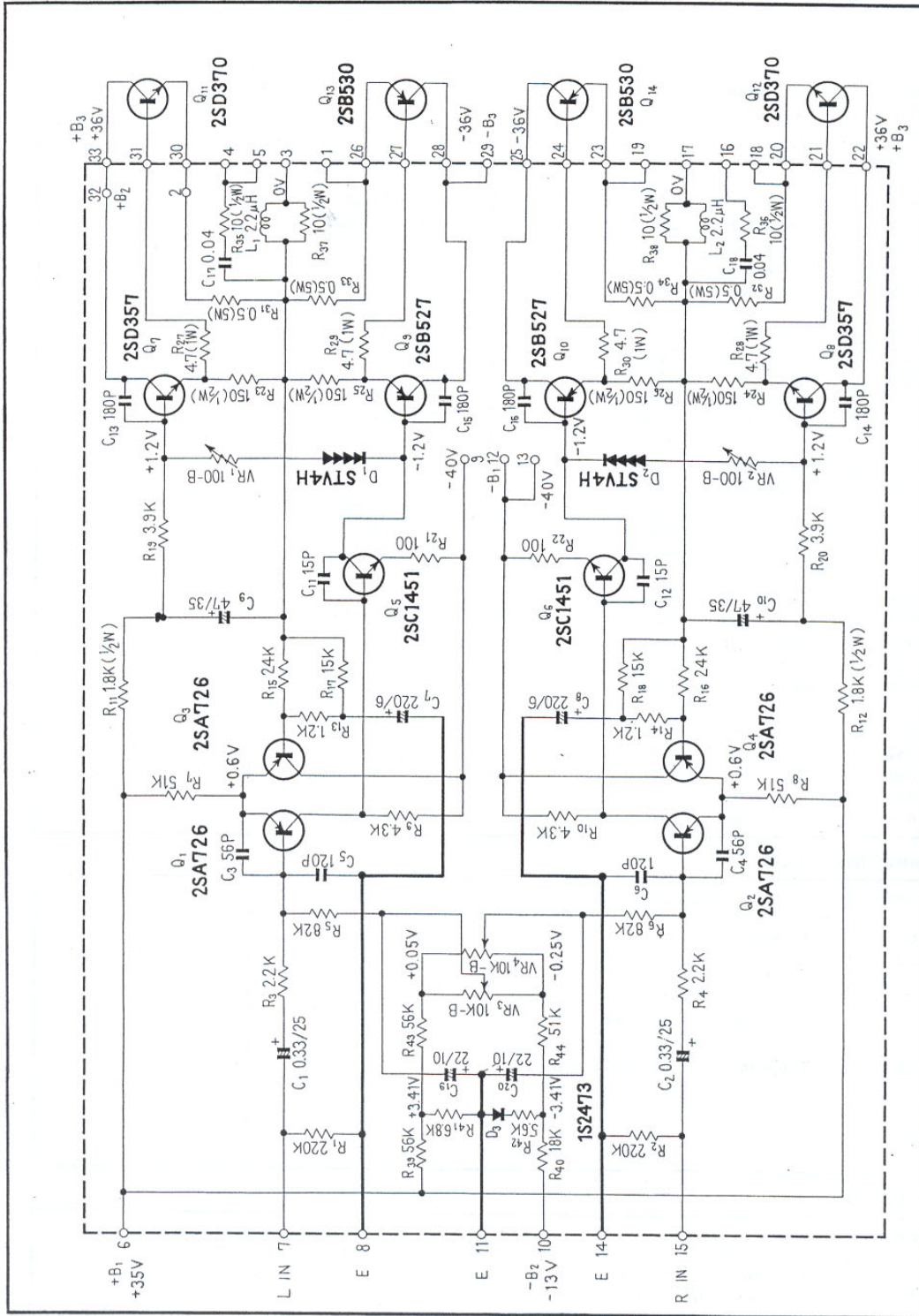
**SEMICONDUCTORS**

Symbol	Description	Part No.
Q1	Transistor 2SA726-F or G	
Q2	Transistor 2SA726-F or G	
Q3	Transistor 2SC1344-E or F (2SC1312-E, F or G)	
Q4	Transistor 2SC1344-E or F (2SC1312-E, F or G)	
Q5	Transistor 2SC1344-E or F (2SC1312-E, F or G)	
Q6	Transistor 2SC1344-E or F (2SC1312-E, F or G)	

**SWITCHES**

Symbol	Description	Part No.
S1	Lever switch (turn over)	ASK-062-0
S2	Lever switch (turn over)	ASK-062-0

### 10.6 POWER AMPLIFIER ASSEMBLY (AWH-033-0)



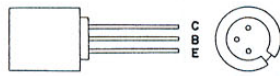
2SA640  
2SA763



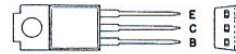
2SA726



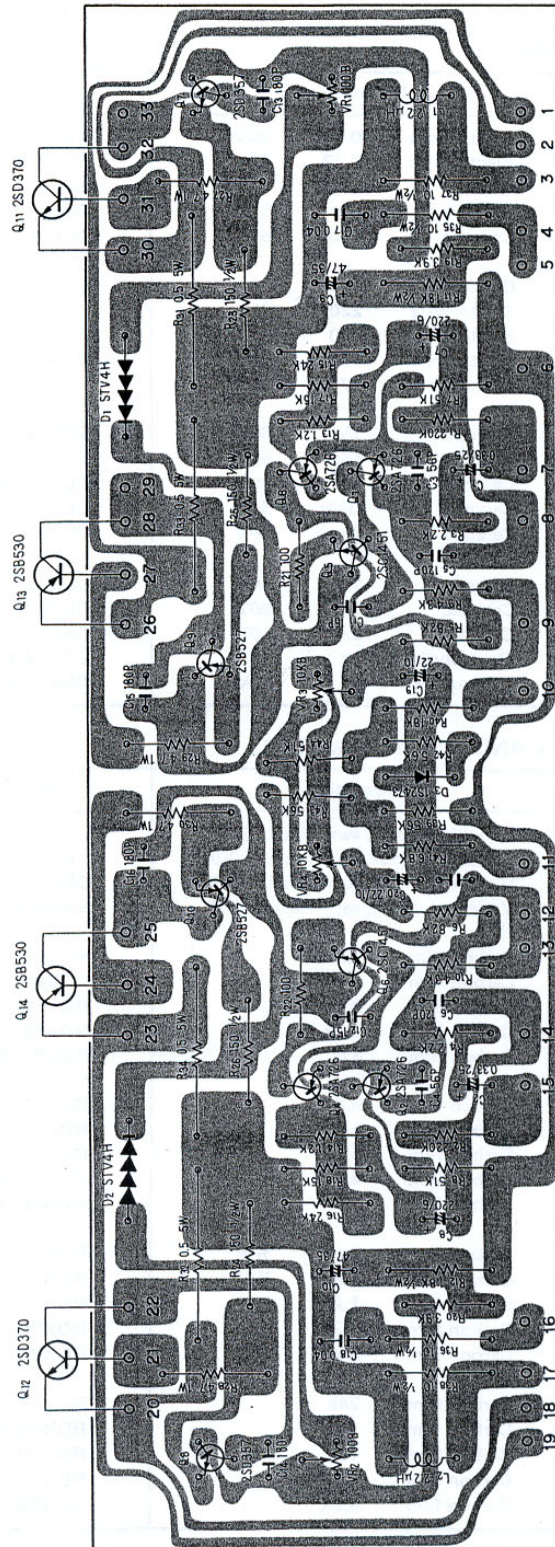
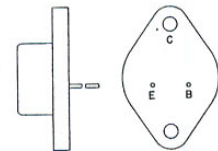
2SC1451



2SD357  
2SB527



2SD370  
2SD388  
2SC1403  
2SB530  
2SB541  
2SA745



Foil Side (AWH-033-0)

## Parts List of Power Amplifier Assembly (AWH-033-0)

### CAPACITORS

Symbol	Description	Part No.
C1	Electrolytic 0.33 25V	CSSA R33M 25
C2	Electrolytic 0.33 25V	CSSA R33M 25
C3	Ceramic 56p 50V	CCDSL 560K 50
C4	Ceramic 56p 50V	CCDSL 560K 50
C5	Ceramic 120p 50V	CCDSL 121K 50
C6	Ceramic 120p 50V	CCDSL 121K 50
C7	Electrolytic 220 6V	CEA 221P 6
C8	Electrolytic 220 6V	CEA 221P 6
C9	Electrolytic 47 35V	CEA 470P 35
C10	Electrolytic 47 35V	CEA 470P 35
C11	Ceramic 15p 50V	CCDSL 150K 50
C12	Ceramic 15p 50V	CCDSL 150K 50
C13	Ceramic 180p 50V	CCDSL 181K 50
C14	Ceramic 180p 50V	CCDSL 181K 50
C15	Ceramic 180p 50V	CCDSL 181K 50
C16	Ceramic 180p 50V	CCDSL 181K 50
C17	Ceramic 0.04 50V	CKDYF 403Z 50
C18	Ceramic 0.04 50V	CKDYF 403Z 50
C19	Electrolytic 22 10V	CEA 220P 10
C20	Electrolytic 22 10V	CEA 220P 10

### RESISTORS AND POTENTIOMETERS

Symbol	Description	Part No.
VR1	Variable resistor, semi-fixed 100-B	C92-063-0
VR2	Variable resistor, semi-fixed 100-B	C92-063-0
VR3	Variable resistor, semi-fixed 10k-B	C92-049-0
VR4	Variable resistor, semi-fixed 10k-B	C92-049-0
R1	Carbon film 220k	RD¼PS 224J
R2	Carbon film 220k	RD¼PS 224J
R3	Carbon film 2.2k	RD¼PS 222J
R4	Carbon film 2.2k	RD¼PS 222J
R5	Carbon film 82k	RD¼PS 823J
R6	Carbon film 82k	RD¼PS 823J
R7	Carbon film 51k	RD¼PS 513J
R8	Carbon film 51k	RD¼PS 513J
R9	Carbon film 4.3k	RD¼PS 432J
R10	Carbon film 4.3k	RD¼PS 432J
R11	Carbon film 1.8k ½W	RD½PS 182J
R12	Carbon film 1.8k ½W	RD½PS 182J
R13	Carbon film 1.2k	RD¼PS 122J
R14	Carbon film 1.2k	RD¼PS 122J
R15	Carbon film 24k	RD¼PS 243J
R16	Carbon film 24k	RD¼PS 243J
R17	Carbon film 15k	RD¼PS 153J
R18	Carbon film 15k	RD¼PS 153J
R19	Carbon film 3.9k	RD¼PS 392J
R20	Carbon film 3.9k	RD¼PS 392J



# SX-737

Symbol	Description	Part No.
R21	Carbon film 100	RD½PS 101J
R22	Carbon film 100	RD½PS 101J
R23	Carbon film 150 ½W	RD½PS 151J
R24	Carbon film 150 ½W	RD½PS 151J
R25	Carbon film 150 ½W	RD½PS 151J
R26	Carbon film 150 ½W	RD½PS 151J
R27	Metal film 4.7 1W	RN1H 4R7K
R28	Metal film 4.7 1W	RN1H 4R7K
R29	Metal film 4.7 1W	RN1H 4R7K
R30	Metal film 4.7 1W	RN1H 4R7K
R31	Wire wound 0.5 5W	RT5B 0R5K
R32	Wire wound 0.5 5W	RT5B 0R5K
R33	Wire wound 0.5 5W	RT5B 0R5K
R34	Wire wound 0.5 5W	RT5B 0R5K
R35	Carbon film 10 ½W	RD½PS 100J
R36	Carbon film 10 ½W	RD½PS 100J
R37	Carbon film 10 ½W	RD½PS 100J
R38	Carbon film 10 ½W	RD½PS 100J
R39	Carbon film 56k	RD½PS 563J
R40	Carbon film 18k	RD½PS 183J
R41	Carbon film 6.8k	RD½PS 682J
R42	Carbon film 5.6k	RD½PS 562J
R43	Carbon film 56k	RD½PS 563J
R44	Carbon film 51k	RD½PS 513J

## SEMICONDUCTORS

Symbol	Description	Part No.
Q1	Transistor 2SA726-G or F (2SA763F-5 or 6) (2SA640-K or L)	
Q2	Transistor 2SA726-G or F (2SA763F-5 or 6) (2SA640-K or L)	
Q3	Transistor 2SA726-G or F (2SA763F-5 or 6) (2SA640-K or L)	
Q4	Transistor 2SA726-G or F (2SA763F-5 or 6) (2SA640-K or L)	
Q5	Transistor 2SC1451-V, B or G	
Q6	Transistor 2SC1451-V, B or G	
Q7	Transistor 2SD357-C or D	
Q8	Transistor 2SD357-C or D	
Q9	Transistor 2SB527-C or D	
Q10	Transistor 2SB527-C or D	

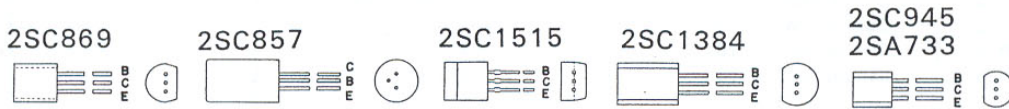
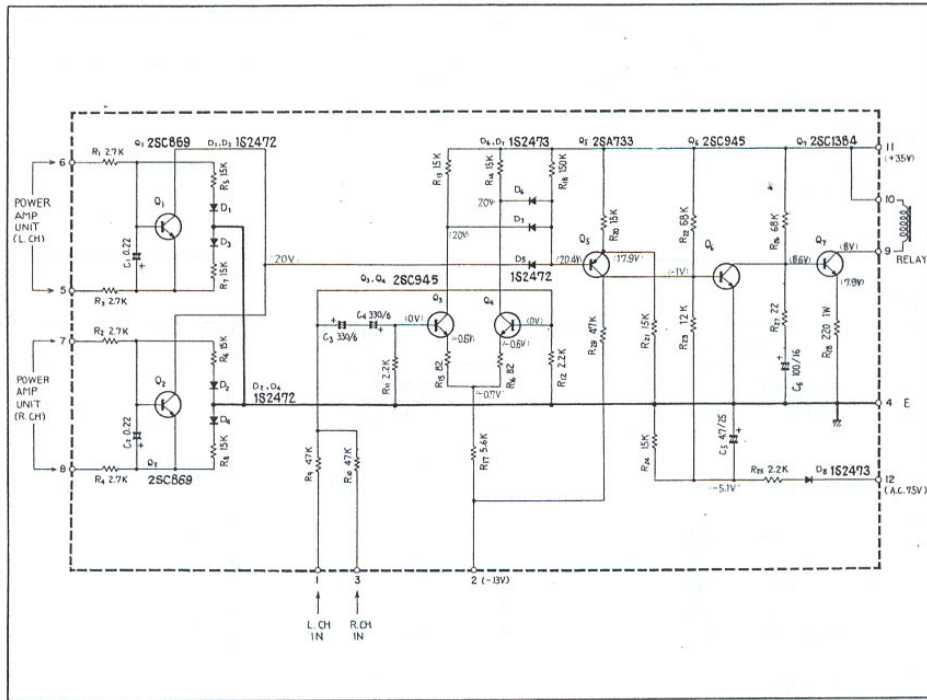
Continued on the Next Page

Symbol	Description	Part No.
Q11	Transistor 2SD370-O, R or Y (2SD388-O, R or S) (2SC1403-R, O or Y)	
Q12	Transistor 2SD370-O, R or Y (2SD388-O, R or S) (2SC1403-R, O or Y)	
Q13	Transistor 2SB530-O, R or Y (2SB541-Q, R or S) (2SA745-R, O or Y)	
Q14	Transistor 2SB530-O, R or Y (2SB541-Q, R or S) (2SA745-R, O or Y)	
D1	Varistor STV4H	
D2	Varistor STV4H	
D3	Diode 1S2473	

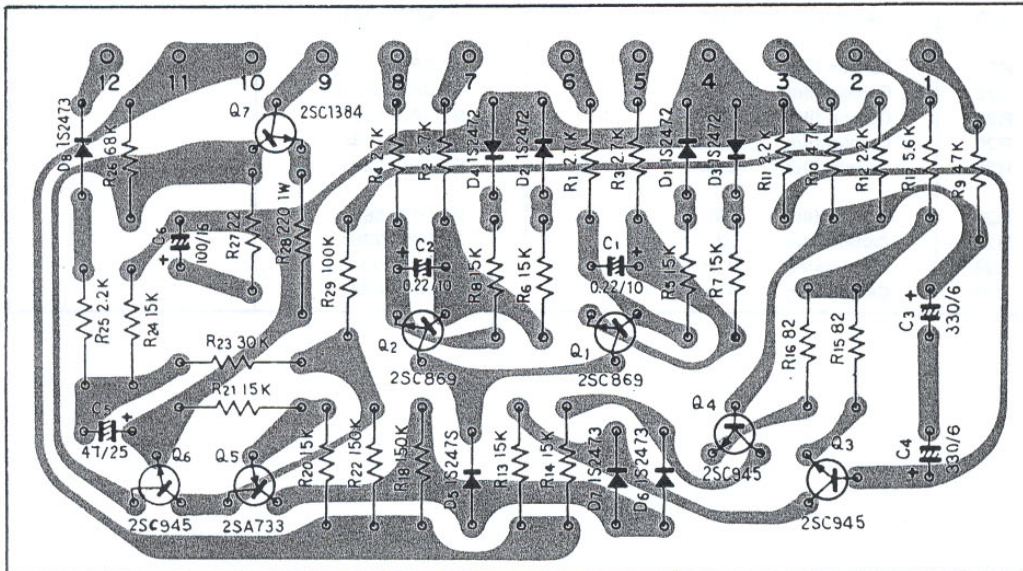
#### OTHERS

Symbol	Description	Part No.
L1	AF choke coil	T63-009-0
L2	AF choke coil	T63-009-0
	Power transistor socket	AKH-001-0
	Spacer (insulator)	AEC-076-0
	Heat sink (small)	ANH-135-A

10.7 PROTECTION CIRCUIT ASSEMBLY (AWM-025-C)



Foil Side (AWM-025-C)



Parts List of Protection Circuit Assembly (AWM-025-C)

CAPACITORS

Symbol	Description			Part No.
C1	Electrolytic	0.22	10V	CSSA R22M 10
C2	Electrolytic	0.22	10V	CSSA R22M 10
C3	Electrolytic	330	6V	CEA 331P 6
C4	Electrolytic	330	6V	CEA 331P 6
C5	Electrolytic	4.7	25V	CEA 4R7P 25
C6	Electrolytic	100	16V	CEA 101P 16

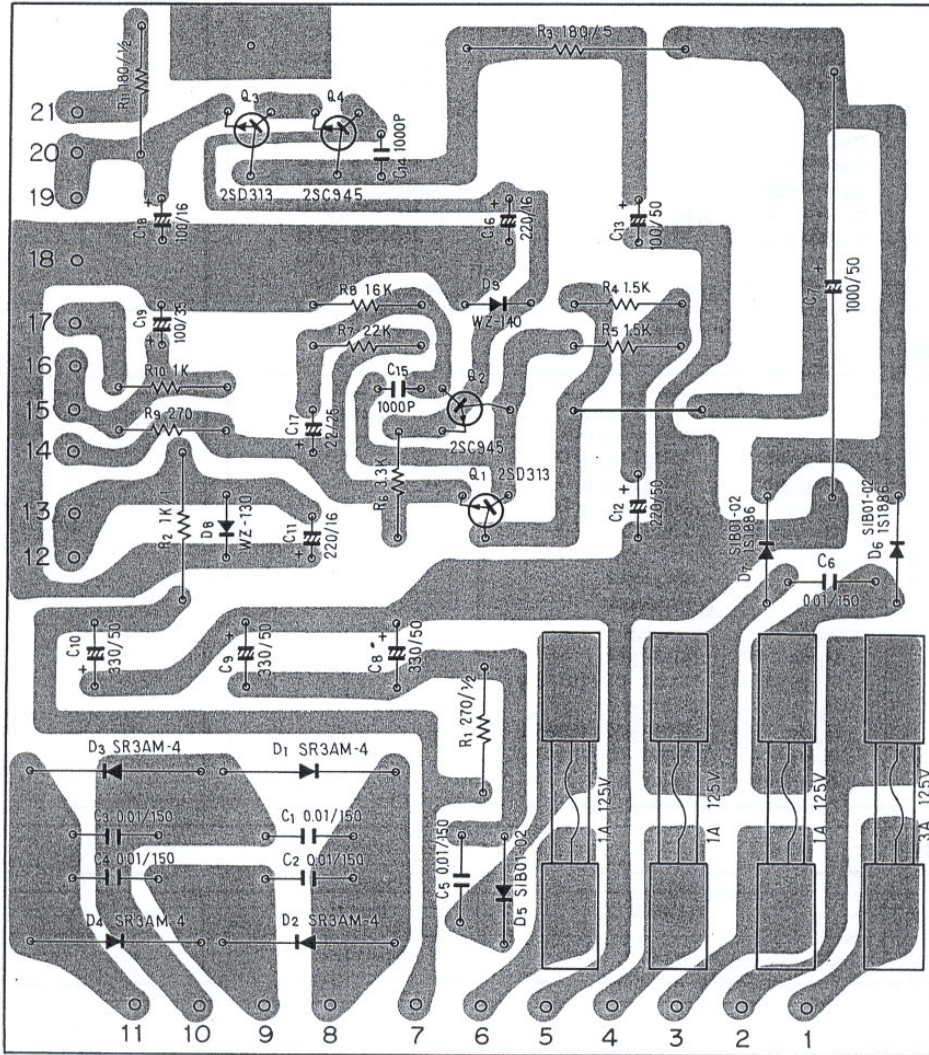
RESISTORS

Symbol	Description			Part No.
R1	Carbon film	2.7k		RD¼PS 272J
R2	Carbon film	2.7k		RD¼PS 272J
R3	Carbon film	2.7k		RD¼PS 272J
R4	Carbon film	2.7k		RD¼PS 272J
R5	Carbon film	15k		RD¼PS 153J
R6	Carbon film	15k		RD¼PS 153J
R7	Carbon film	15k		RD¼PS 153J
R8	Carbon film	15k		RD¼PS 153J
R9	Carbon film	47k		RD¼PS 473J
R10	Carbon film	47k		RD¼PS 473J
R11	Carbon film	2.2k		RD¼PS 222J
R12	Carbon film	2.2k		RD¼PS 222J
R13	Carbon film	15k		RD¼PS 153J
R14	Carbon film	15k		RD¼PS 153J
R15	Carbon film	82		RD¼PS 820J
R16	Carbon film	82		RD¼PS 820J
R17	Carbon film	5.6k		RD¼PS 562J
R18	Carbon film	150k		RD¼PS 154J
R19				
R20	Carbon film	15k		RD¼PS 153J
R21	Carbon film	15k		RD¼PS 153J
R22	Carbon film	68k		RD¼PS 683J
R23	Carbon film	12k		RD¼PS 123J
R24	Carbon film	15k		RD¼PS 153J
R25	Carbon film	2.2k		RD¼PS 222J
R26	Carbon film	68k		RD¼PS 683J
R27	Carbon film	22		RD¼PS 220J
R28	Metal oxide	220	1W	RS1P 221J
R29	Carbon film	47k		RD¼PS 473J

**SEMICONDUCTORS**

Symbol	Description	Part No.
Q1	Transistor 2SC869-C, B or D (2SC857K-A) (2SC1515K)	
Q2	Transistor 2SC869-C, B or D (2SC857K-A) (2SC1515K)	
Q3	Transistor 2SC945-Q or R	
Q4	Transistor 2SC945-Q or R	
Q5	Transistor 2SA733-Q or R	
Q6	Transistor 2SC945-Q or R	
Q7	Transistor 2SC1384-R or Q	
D1	Diode 1S2472	
D2	Diode 1S2472	
D3	Diode 1S2472	
D4	Diode 1S2472	
D5	Diode 1S2472	
D6	Diode 1S2473	
D7	Diode 1S2473	
D8	Diode 1S2473	

Foil Side (AWR-057-0)



Symbol	Description	Part No.
C11	Electrolytic 220 16V	CEA 221P 16
C12	Electrolytic 220 50V	CEA 221P 50
C13	Electrolytic 100 50V	CEA 101P 50
C14	Ceramic 0.001 50V	CDKYF 102Z 50
C15	Ceramic 0.001 50V	CKDYF 102Z 50
C16	Electrolytic 220 16V	CEA 221P 16
C17	Electrolytic 22 25V	CEA 220P 25
C18	Electrolytic 100 16V	CEA 101P 16
C19	Electrolytic 100 35V	CEA 101P 35

Continued on the Next Page

### RESISTORS

Symbol	Description	Part No.
R1	Carbon film 270 ½W	RD¼PS 271J
R2	Metal oxide 1k 1W	RS1P 102K
R3	Wire sound 180 5W	RT5B 181K
R4	Carbon film 1.5k	RD¼PS 152J
R5	Carbon film 1.5k	RD¼PS 152J
R6	Carbon film 3.3k	RD¼PS 332J
R7	Carbon film 22k	RD¼PS 223J
R8	Carbon film 16k	RD¼PS 163J
R9	Carbon film 270	RD¼PS 271J
R10	Carbon film 1k	RD¼PS 102J
R11	Carbon film 180 ½W	RD¼PS 181J

### SEMICONDUCTORS

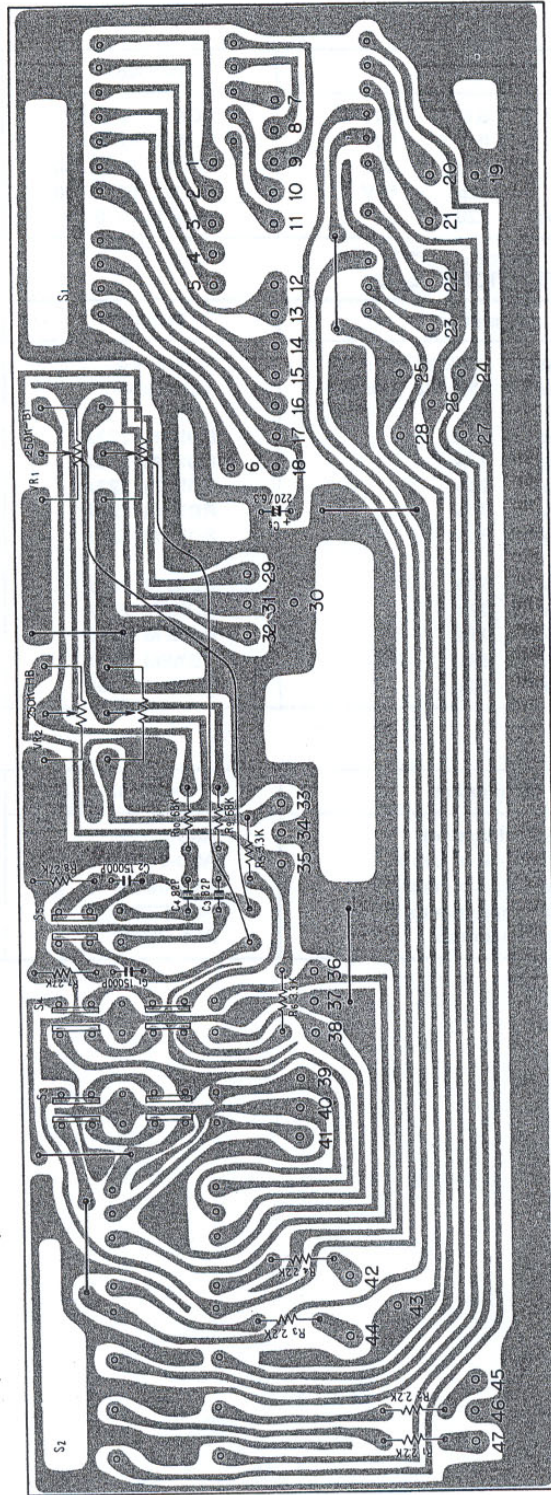
Symbol	Description	Part No.
Q1	Transistor 2SD313-E or D	
Q2	Transistor 2SC945-R or Q	
Q3	Transistor 2SD313-E or D	
Q4	Transistor 2SC945-R or Q	
D1	Diode SR3AM-4	
D2	Diode SR3AM-4	
D3	Diode SR3AM-4	
D4	Diode SR3AM-4	
D5	Diode S1B01-02 (1S1886)	
D6	Diode S1B01-02 (1S1886)	
D7	Diode S1B01-02 (1S1886)	
D8	Zener diode WZ-130	
D9	Zener diode WZ-140	

### OTHERS

Symbol	Description	Part No.
	Heat sink	ANH-117-0
	Fuse holder (clip-in type)	AKR-013-0

SX-737

Foil Side (AWX-071-0)





## Parts List of Switch & Volume Circuit Assembly (AWX-071-0)

### CAPACITORS

Symbol	Description	Part No.
C1	Mylar 0.015 50V	CQMA 153J 50
C2	Mylar 0.015 50V	CQMA 153J 50
C3	Ceramic 82p 50V	CCDSL 820K 50
C4	Ceramic 82p 50V	CCDSL 820K 50
C5	Electrolytic 220 6V	CEA 221P 6

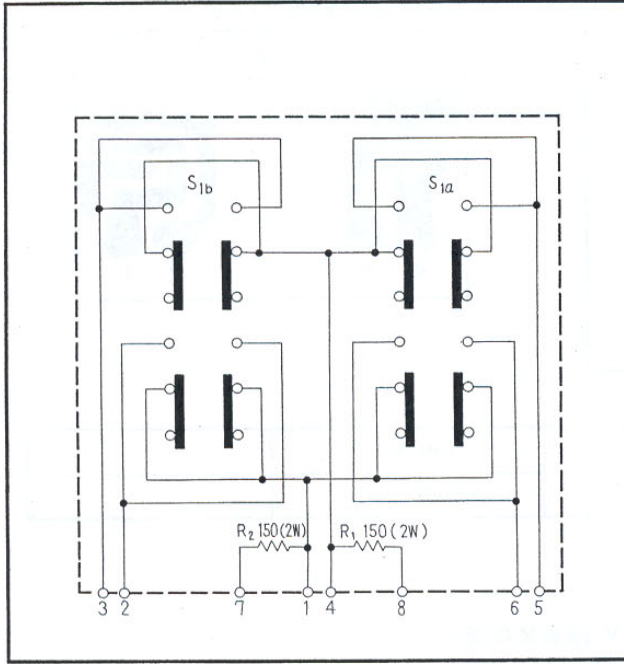
### RESISTORS AND POTENTIOMETERS

Symbol	Description	Part No.
VR1	Variable resistor 250k-B1 (volume)	ACV-134-0
VR2	Variable resistor 250k-HB (balance)	ACV-135-0
R1	Carbon film 2.2k	RD¼PM 222J
R2	Carbon film 2.2k	RD¼PM 222J
R3	Carbon film 2.2k	RD¼PM 222J
R4	Carbon film 2.2k	RD¼PM 222J
R5	Carbon film 3.3k	RD¼PM 332J
R6	Carbon film 3.3k	RD¼PM 332J
R7	Carbon film 27k	RD¼PM 273J
R8	Carbon film 27k	RD¼PM 273J
R9	Carbon film 68k	RD¼PM 683J
R10	Carbon film 68k	RD¼PM 683J

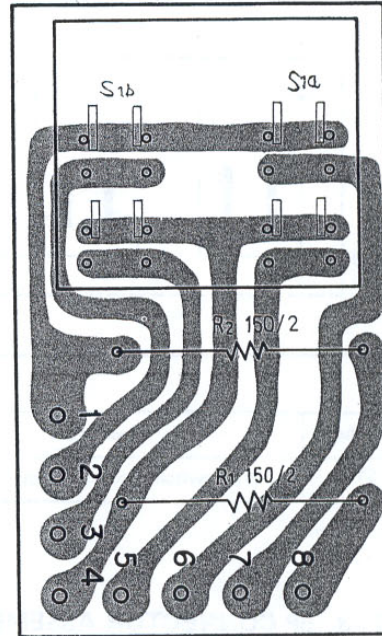
### SWITCHES

Symbol	Description	Part No.
S1	Rotary switch (function)	ASD-018-0
S2	Rotary switch (rec selector)	ASD-017-0
S3	Lever switch (tape monitor-1)	ASK-028-A
S4	Lever switch (tape monitor-2)	ASK-028-A
S5	Lever switch (loudness)	ASK-062-0

10.11 SPEAKER SWITCH CIRCUIT ASSEMBLY (AWS-076-0)



Foil Side (AWS-076-0)



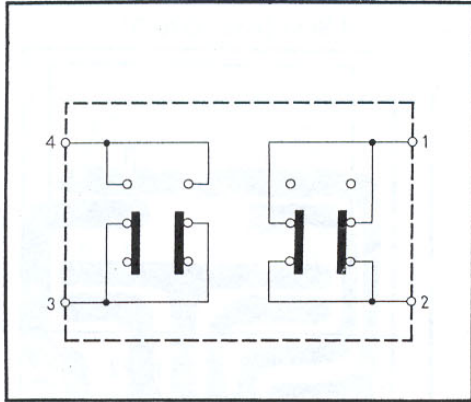
RESISTORS

Symbol	Description	Part No.
R1	Metal oxide 150 2W	RS2R 151K
R2	Metal oxide 150 2W	RS2R 151K

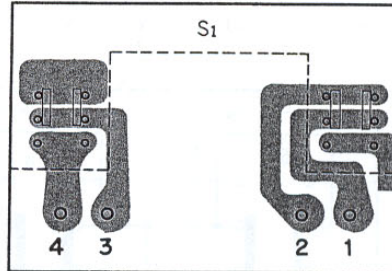
SWITCH

Symbol	Description	Part No.
S1	Push switch (speakers)	ASG-072-0

### 10.12 PUSH SWITCH CIRCUIT ASSEMBLY (AWS-077-0)

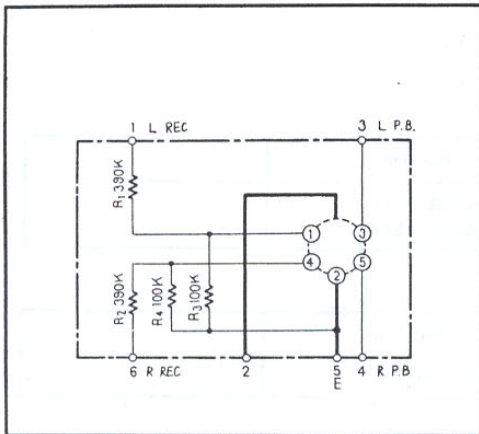


Foil Side (AWS-077-0)

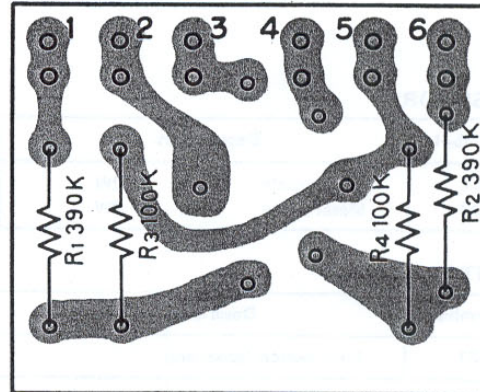


Symbol	Description	Part No.	
S1	Push switch (mode, FM muting)	ASG-071-0	

### 10.13 5P CONNECTOR ASSEMBLY (AWX-062-0)



Foil Side (AWX-062-0)



#### RESISTORS

Symbol	Description	Part No.	
R1	Carbon film 390k	RD¼PS 394J	
R2	Carbon film 390k	RD¼PS 394J	
R3	Carbon film 100k	RD¼PS 104J	
R4	Carbon film 100k	RD¼PS 104J	
	Connector (DIN type 5P)	AKP-007-0	

