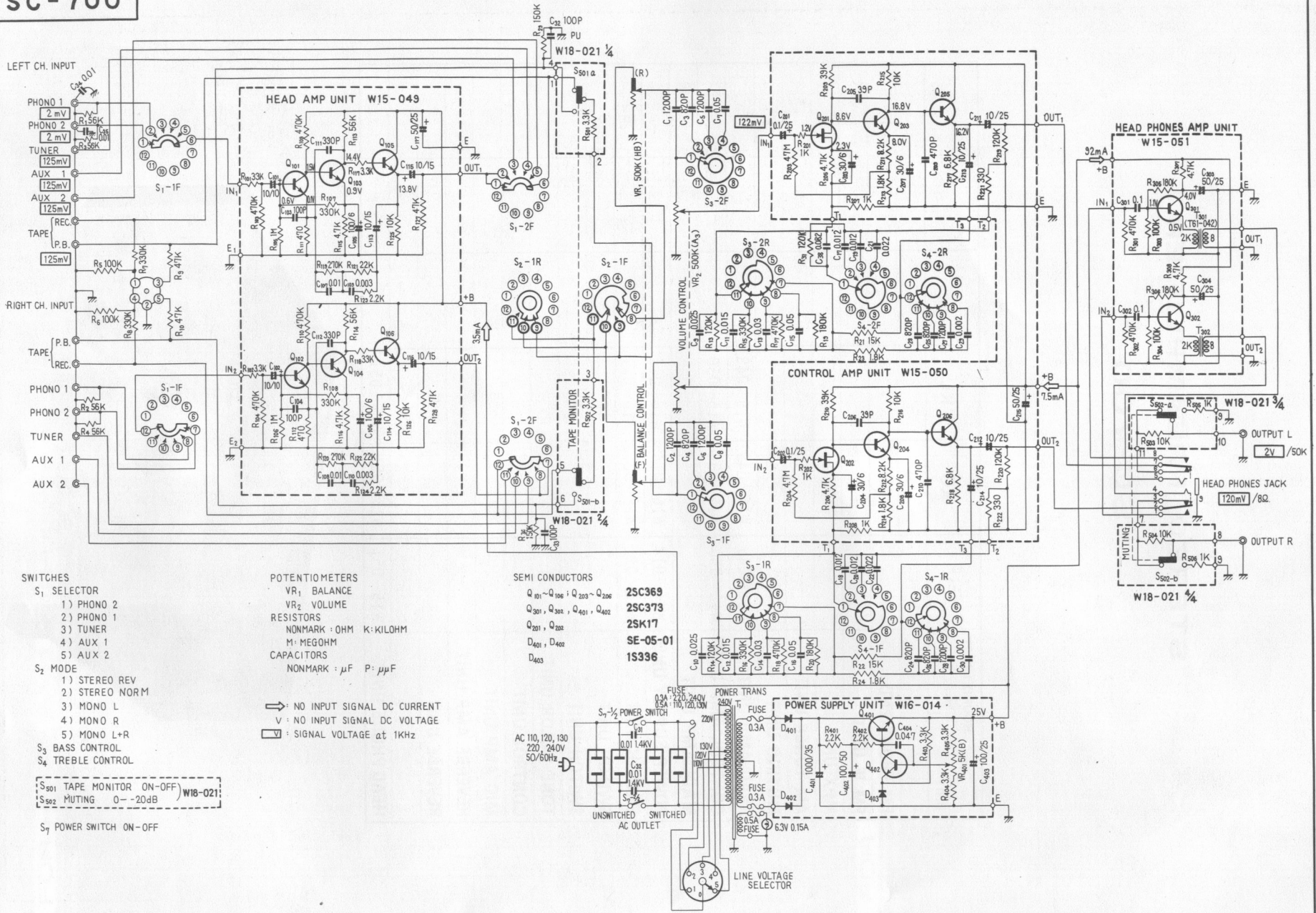


# STEREO PREAMPLIFIER

## SC-700

UNIT \ ROUND LABEL	FV	KC	KL			
FM FRONT END						
FM IF UNIT						
MPX UNIT						
AM TUNER UNIT						
MUTING UNIT						
HEAD AMP UNIT	W15-049	W15-049	W15-049			
CONTROL AMP UNIT	W15-050	W15-050	W15-050			
MAIN AMP UNIT						
POWER SUPPLY UNIT	W16-014	W16-014	W16-014			
SWITCH UNIT	W18-021	W18-021	W18-021			
SWITCH UNIT						
SWITCH UNIT						
TONE COLOR UNIT						
CONTROL UNIT						
MIC AMP UNIT						
REVERBE AMP UNIT						
REVERBE UNIT						
HEAD PHONE UNIT	W15-051	W15-051	W15-051			





**SWITCHES**

- S<sub>1</sub> SELECTOR**  
 1) PHONO 2  
 2) PHONO 1  
 3) TUNER  
 4) AUX 1  
 5) AUX 2
- S<sub>2</sub> MODE**  
 1) STEREO REV  
 2) STEREO NORM  
 3) MONO L  
 4) MONO R  
 5) MONO L+R
- S<sub>3</sub> BASS CONTROL**  
**S<sub>4</sub> TREBLE CONTROL**

**POTENTIOMETERS**

- VR<sub>1</sub> BALANCE  
 VR<sub>2</sub> VOLUME  
**RESISTORS**  
 NONMARK : OHM K: KILOHM  
 M: MEGOHM  
**CAPACITORS**  
 NONMARK : μF P: μμF

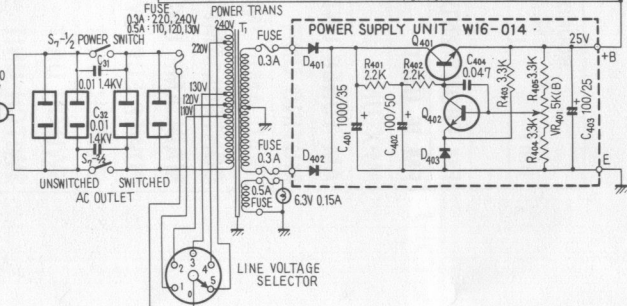
**SEMI CONDUCTORS**

- Q<sub>101</sub>-Q<sub>106</sub> ; Q<sub>201</sub>-Q<sub>206</sub> **2SC369**  
 Q<sub>301</sub> ; Q<sub>302</sub> ; Q<sub>401</sub> ; Q<sub>402</sub> **2SC373**  
 Q<sub>201</sub> ; Q<sub>202</sub> **2SK17**  
 D<sub>401</sub> ; D<sub>402</sub> **SE-05-01**  
 D<sub>403</sub> **1S336**

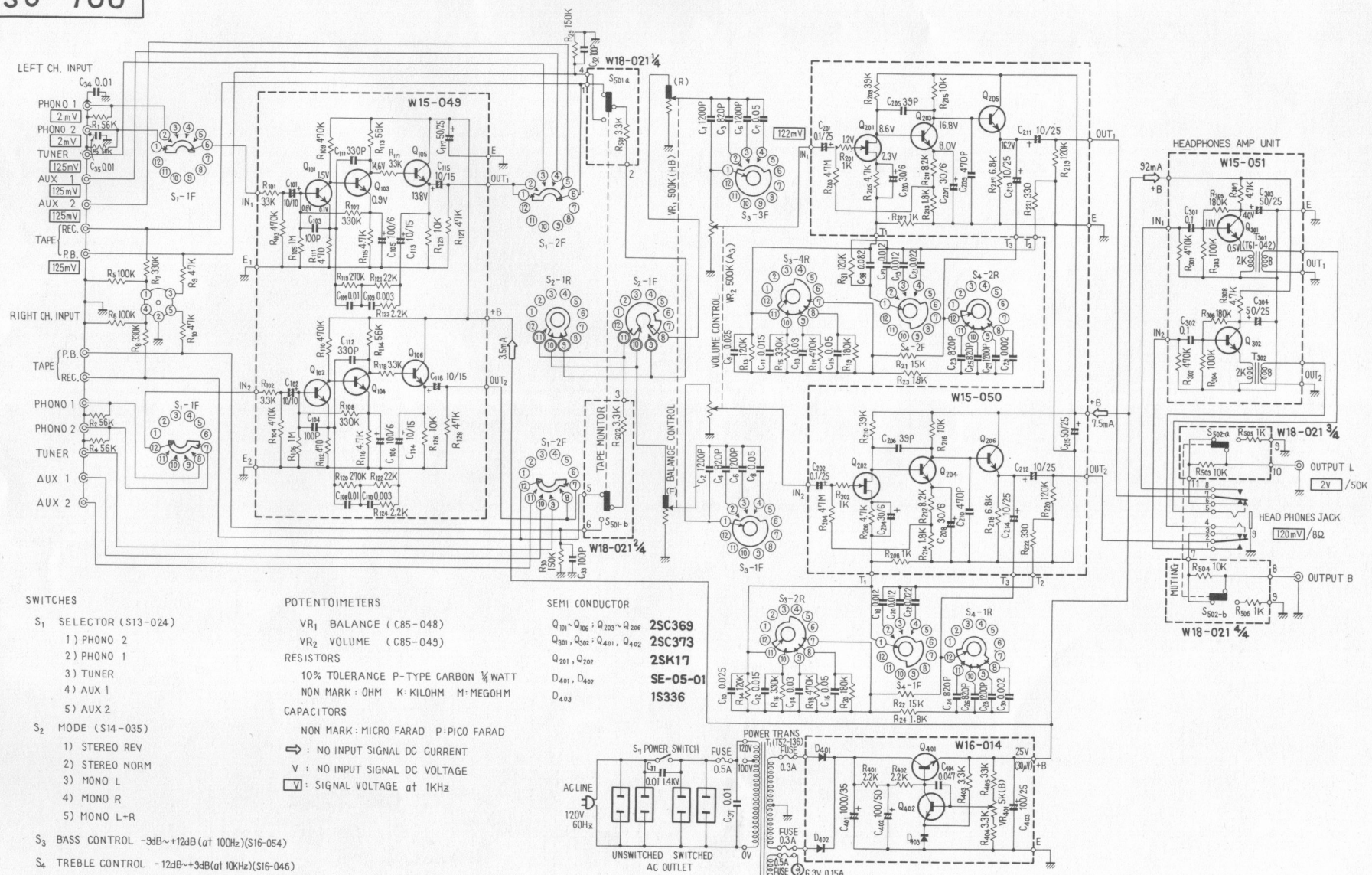
S<sub>501</sub> TAPE MONITOR ON-OFF  
 S<sub>502</sub> MUTING 0-20dB **W18-021**

S<sub>7</sub> POWER SWITCH ON-OFF

→ NO INPUT SIGNAL DC CURRENT  
 V NO INPUT SIGNAL DC VOLTAGE  
 ▭ SIGNAL VOLTAGE at 1KHz







**SWITCHES**

- S<sub>1</sub> SELECTOR (S13-024)
  - 1) PHONO 2
  - 2) PHONO 1
  - 3) TUNER
  - 4) AUX 1
  - 5) AUX 2
- S<sub>2</sub> MODE (S14-035)
  - 1) STEREO REV
  - 2) STEREO MON
  - 3) MONO L
  - 4) MONO R
  - 5) MONO L+R
- S<sub>3</sub> BASS CONTROL -3dB~+12dB (at 100Hz) (S16-054)
- S<sub>4</sub> TREBLE CONTROL -12dB~+3dB (at 10KHz) (S16-046)
- S<sub>501</sub> TAPE MONITOR ON-OFF (S31-013) W18
- S<sub>502</sub> MUTING 0~-20dB (S31-013) -021
- S<sub>7</sub> POWER SWITCH ON-OFF (S11-014)

**POTENTIOMETERS**

- VR<sub>1</sub> BALANCE (C85-048)
  - VR<sub>2</sub> VOLUME (C85-049)
- RESISTORS**
- 10% TOLERANCE P-TYPE CARBON 1/4 WATT  
 NON MARK : ΩHM K: KILOHM M: MEGOHM
- CAPACITORS**
- NON MARK: MICRO FARAD P: PICO FARAD  
 ⇕ : NO INPUT SIGNAL DC CURRENT  
 V : NO INPUT SIGNAL DC VOLTAGE  
 ▭ V : SIGNAL VOLTAGE at 1kHz

**SEMI CONDUCTOR**

- Q<sub>101</sub>~Q<sub>106</sub>; Q<sub>203</sub>~Q<sub>206</sub> **2SC369**
- Q<sub>301</sub>, Q<sub>302</sub>; Q<sub>401</sub>, Q<sub>402</sub> **2SC373**
- Q<sub>201</sub>, Q<sub>202</sub> **2SK17**
- D<sub>401</sub>, D<sub>402</sub> **SE-05-01**
- D<sub>403</sub> **1S336**

