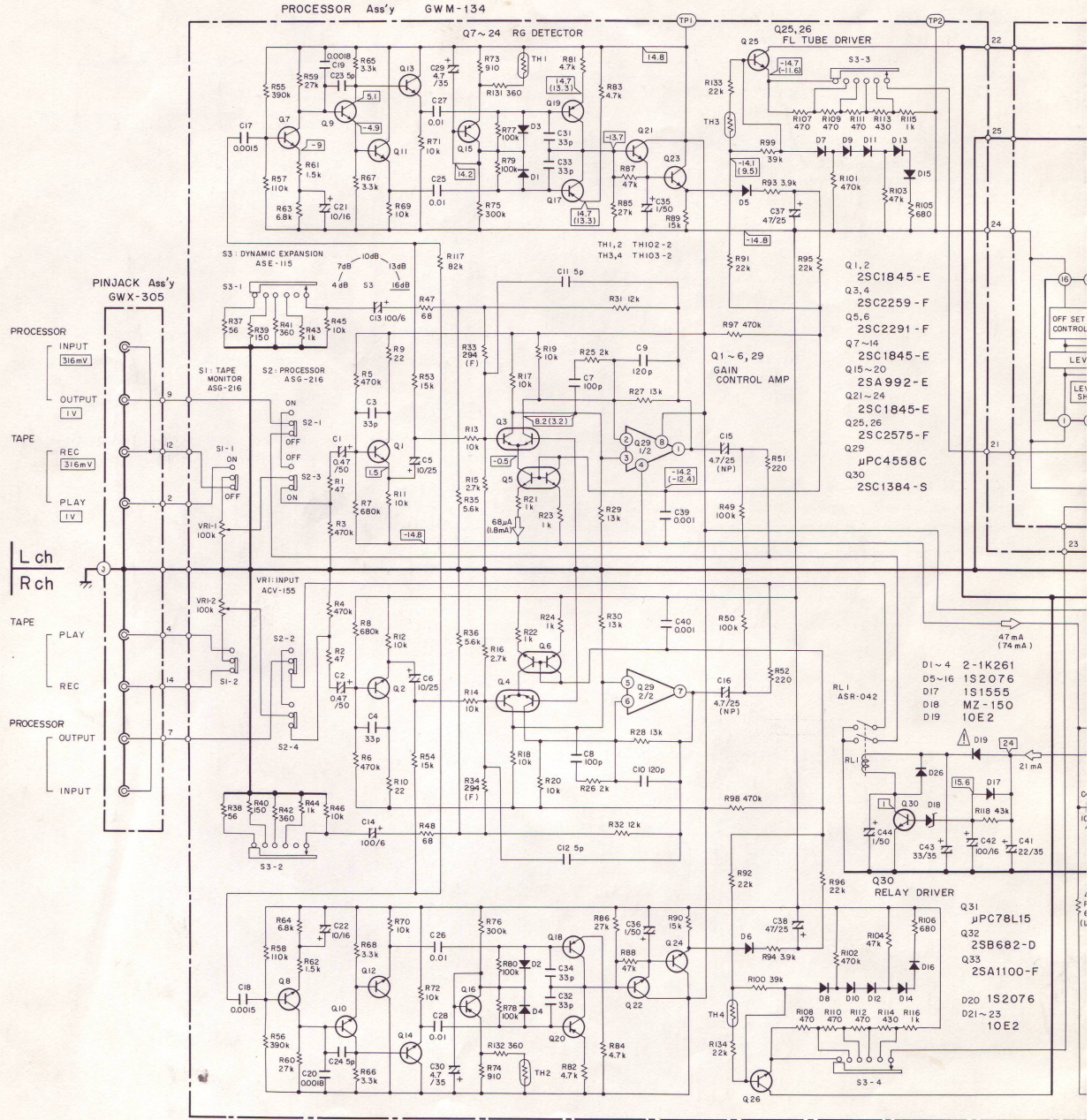
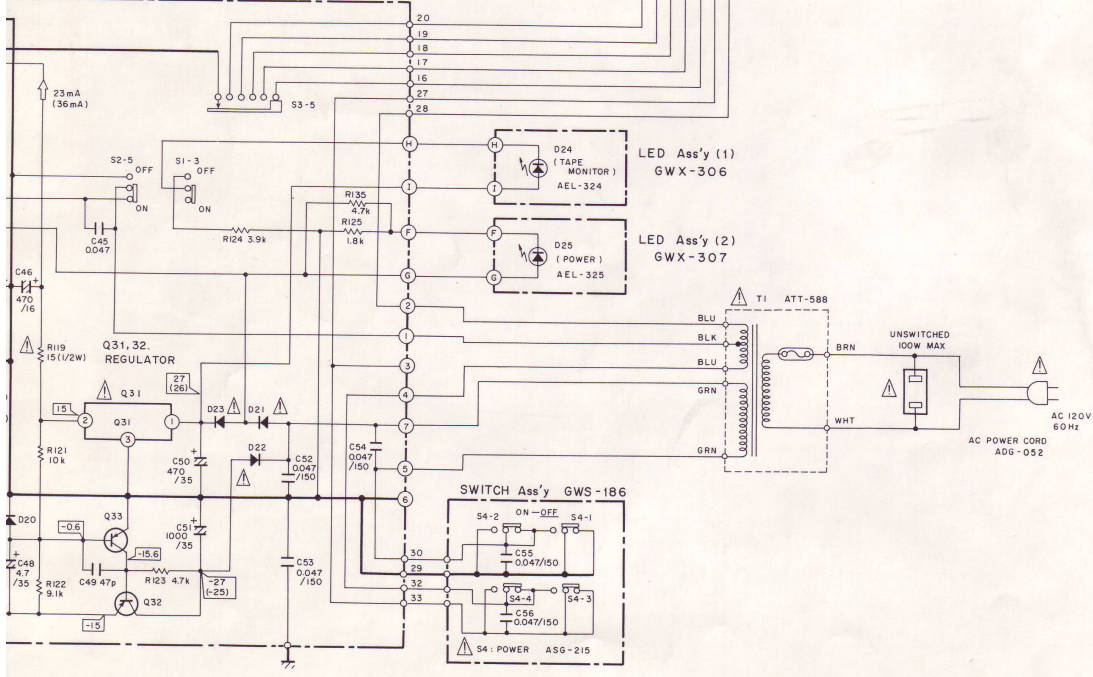
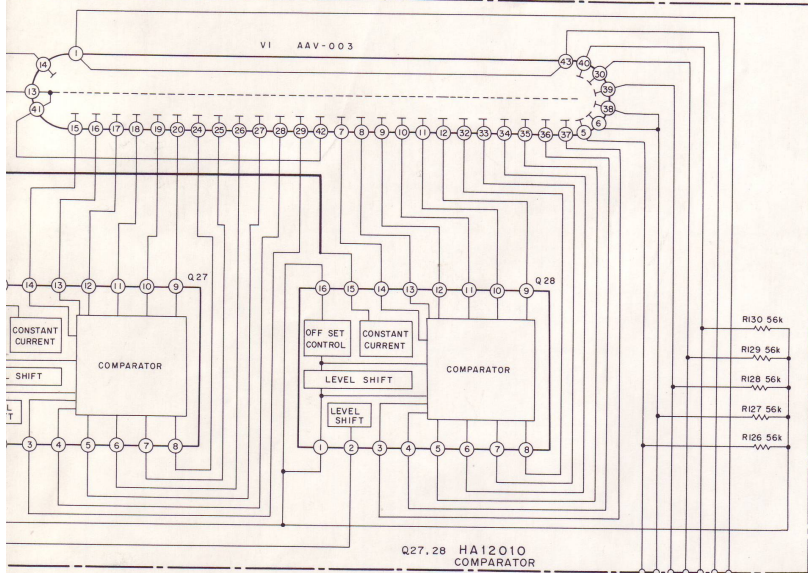


RG-9 KU

SCHEMATIC DIAGRAM



DYNAMIC EXPANSION METER Ass'y GWV-101



1. RESISTORS :
Indicated in Ω , 1/4W, $\pm 5\%$ tolerance unless otherwise noted
k: k Ω , M: M Ω , (F): $\pm 1\%$ tolerance
2. CAPACITORS :
Indicated in capacity (μF) / voltage (V) unless otherwise noted p: pF
Indication without voltage is 50V except electrolytic capacitor.
3. VOLTAGE, CURRENT :
 - ∇ : Signal voltage at 1V output (1kHz)
 - \square : DC voltage (V) at no input signal
 - Value in () is DC voltage at 6.5V output (S3 \rightarrow 16dB)
 - \leftarrow mA : DC current at no input signal
4. OTHERS :
The Δ mark found on some component parts indicates the importance of the safety factor of the part. Therefore, when replacing, be sure to use parts of identical designation.

SWITCHES

S1 TAPE MONITOR	ON - OFF
S2 PROCESSOR	ON - OFF
S3 DYNAMIC EXPANSION	4dB - 7dB - 10dB - 13dB - 16dB
S4 POWER	ON - OFF

The underlined indicates the switch position.

This is the basic schematic diagram, but the actual circuit may vary due to improvements in design.