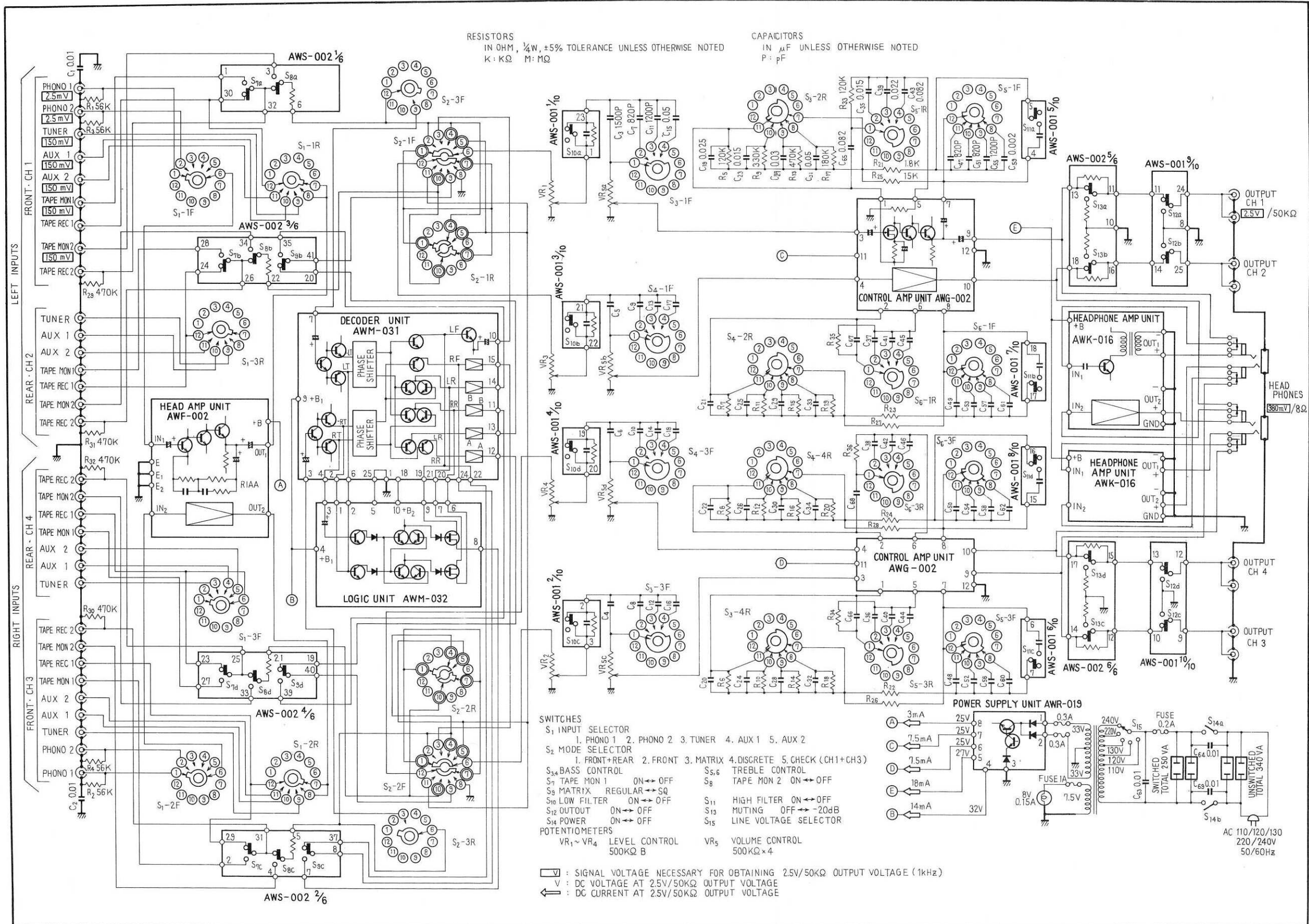


RESISTORS
IN OHM, $\frac{1}{4}W$, $\pm 5\%$ TOLERANCE UNLESS OTHERWISE NOTED
K: K Ω M: M Ω

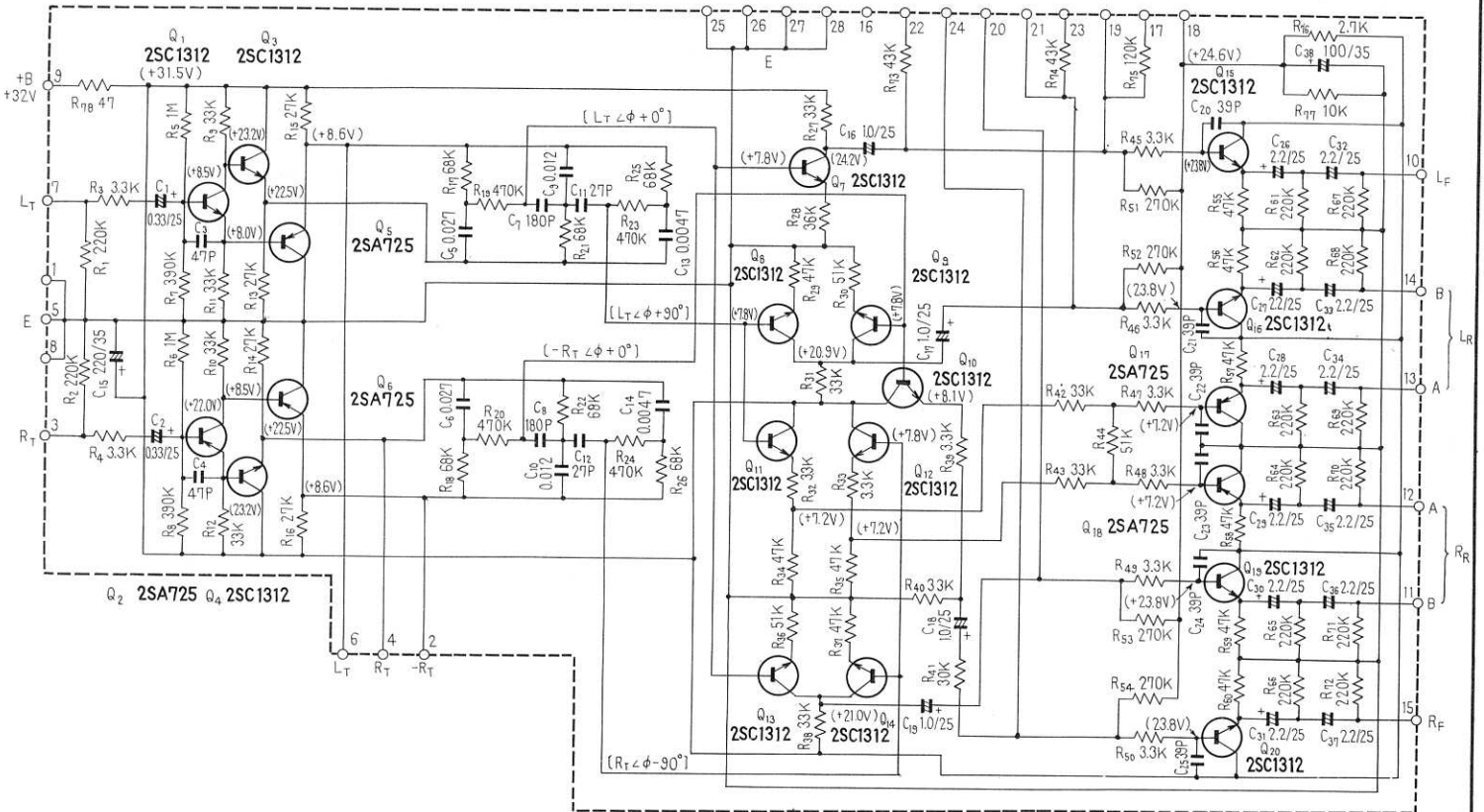
CAPACITORS
IN μF UNLESS OTHERWISE NOTED
P: pF



AC 110/120/130
220/240V
50/60Hz

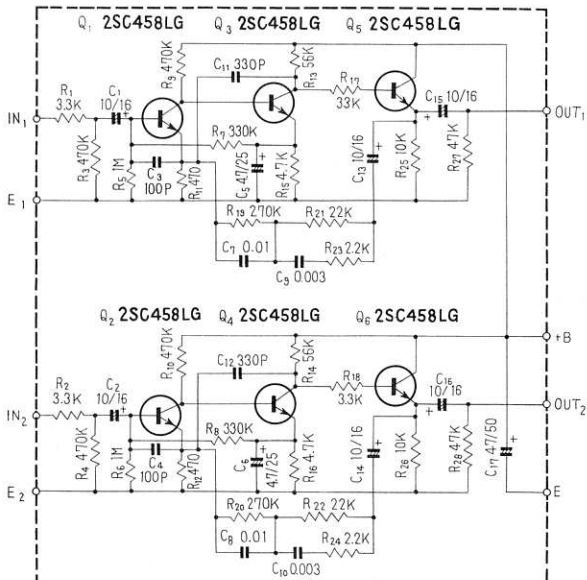
DECODER UNIT

AWM - 031



HEAD AMP UNIT

AWF - 002



CONTROL AMP UNIT

AWG - 002

