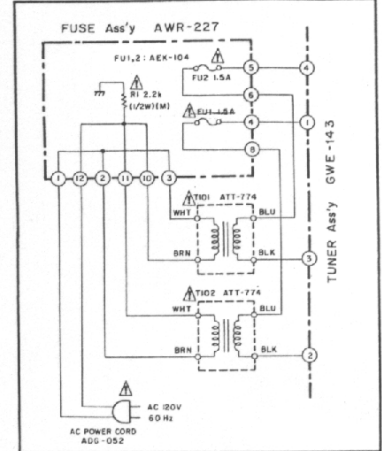


POWER SUPPLY CIRCUIT FOR KC MODEL



- RESISTORS:**
Indicated in Ω , $\%W$, 15% tolerance unless otherwise noted k : k Ω , M : M Ω , (F) : $\pm 1\%$, (G) : $\pm 2\%$, (K) : 10% tolerance
- CAPACITORS:**
Indicated in capacity (μF)/voltage (V) unless otherwise noted p : pF
Indication without voltage is 50V except electrolytic capacitor.
- VOLTAGE, CURRENT:**
□ : DC voltage (V) at no input signal
◁ : mA : DC current at no input signal
◁ : mV : Signal voltage at FM 400Hz 75kHz DEV.
- OTHERS:**
⊗ : Adjusting point.
The Δ mark found on some component parts indicates the importance of the safety factor of the part. Therefore, when replacing, be sure to use parts of identical designation.

This is the basic schematic diagram, but the actual circuit may vary due to improvements in design.

SWITCHES

- S1 : POWER STAND BY - OFF
- S2 : STATION CALL 1 ON - OFF
- S3 : STATION CALL 2 ON - OFF
- S4 : STATION CALL 3 ON - OFF
- S5 : STATION CALL 4 ON - OFF
- S6 : STATION CALL 5 ON - OFF
- S7 : STATION CALL 6 ON - OFF
- S8 : FUNCTION AM - FM
- S9-1 : REC LEVEL CHECK ON - OFF
- S9-2 : MODE AUTO - MONO
- S10 : TUNING (DOWN) ON - OFF
- S11 : TUNING (UP) ON - OFF
- S12-1 : MEMORY ON - OFF
- S12-2 : TUNING MODE AUTO - MANUAL
- S13 : STEP SELECTOR 9kHz - 10kHz

The underlined indicates the switch position.

FUNCTION SWITCH Ass'y GWS-301

AM 9kHz / 10kHz SELECTOR Ass'y