

Operating Instructions

AUDIO DIGITAL TIMER

DT-500

KC
KU



IMPORTANT NOTICE

The serial number for this equipment is located on the rear panel. Please write this serial number on your enclosed warranty card and keep in a secure area. This is for your security.

WARNING: TO PREVENT FIRE OR SHOCK HAZARD, DO NOT EXPOSE THIS APPLIANCE TO RAIN OR MOISTURE.

APPLICATIONS

- This model is a 24-hour timer which incorporates a time-activated switch in an electronic digital clock. It can be used instead of an alarm clock to switch on the radio or tape recorder every morning at the desired time. The unit can also be used for unattended recording using a tape deck and tuner.
- You can use the unit with a radio or tape recorder so that it turns the program source off after you have fallen asleep. The power OFF time can be set anywhere between 1 minute and 1 hour 59 minutes (Sleep timer function).
- The SEC RESET switch enables the present time to be set down to the last second and the seconds to be checked in a one-touch operation.
- The time can be advanced or reversed when the times are being set, and if the desired time is bypassed, the REV (reverse) switch can be used to reverse the time.
- The unit also comes with a power failure display function. When there has been a power failure and the power is restored, the figures on the time display flash to indicate that there has been a power failure during the operation of the timer.

PRECAUTIONS

When this unit's power plug is connected to a household electrical outlet or when the plug is disconnected and connected, the "AM 12:00" or "0:00" display will flash on the time display. If this display appears during actual use, it means that the power has gone off due to a power failure.

This flashing display will disappear once the time is adjusted. (Re-set the time by following the instructions for ADJUSTING THE PRESENT TIME on page 4.)

CAUTION WITH CONNECTIONS

The total power consumption of audio components connected to the unit's AC outlets must not exceed 500W. Also, do not connect the unit to equipment such as a TV set or high-power amplifier which has a very large rush current when the power is switched on. Failure to heed this warning may result in a breakdown of the unit. Before connecting the equipment, first read the operating instructions and do not allow the total power to exceed the specified limits (500W). In order to avoid overheating and other trouble, never connect an iron, toaster or other electrical appliance having a high power consumption to this unit.

PIONEER[®]

SAFETY INSTRUCTIONS

READ INSTRUCTIONS — All the safety and operating instructions should be read before the appliance is operated.

RETAIN INSTRUCTIONS — The operating instructions should be retained for future reference.

HEED WARNING — All warnings on the appliance and in the operating instructions should be adhered to.

FOLLOW INSTRUCTIONS — All operating and use instructions should be followed.

WATER AND MOISTURE — The appliance should not be used near water — for example, near a bathtub, washbowl, kitchen sink, laundry tub, in a wet basement, or near a swimming pool, etc.

LOCATION — The appliance should be installed in a stable location.

WALL OR CEILING MOUNTING — The appliance should not be mounted to a wall or ceiling.

VENTILATION — The appliance should be situated so that its location or position does not interfere with its proper ventilation. For example, the appliance should not be situated on a bed, sofa, rug, or similar surface that may block the ventilation openings; or, placed in a built-in installation, such as a bookcase or cabinet that may impede the flow of air through the ventilation openings.

HEAT — The appliance should be situated away from heat sources such as radiators, heat registers, stoves, or other appliances (including amplifiers) that produce heat.

POWER SOURCES — The appliance should be connected to a power supply only of the type described in the operating instructions or as marked on the appliance.

POWER-CORD PROTECTION — Power-supply cords should be routed so that they are not likely to be walked on or pinched by items placed upon or against them, paying particular attention to cords at plugs, convenience receptacles, and the point where they exit from the appliance.

CLEANING — The appliance should be cleaned only with a polishing cloth or a soft dry cloth. Never clean with furniture wax, benzene, insecticides or other volatile liquids since they may corrode the cabinet.

NONUSE PERIODS — The power cord of the appliance should be unplugged from the outlet when left unused for a long period of time.

OBJECT AND LIQUID ENTRY — Care should be taken so that objects do not fall and liquids are not spilled into the enclosure through openings.

DAMAGE REQUIRING SERVICE — The appliance should be serviced by Pioneer authorized service center or qualified service personnel when:

- The power-supply cord or the plug has been damaged; or
- Objects have fallen, or liquid has been spilled into the appliance; or
- The appliance has been exposed to rain; or
- The appliance does not appear to operate normally or exhibits a marked change in performance; or
- The appliance has been dropped, or the enclosure damaged.

SERVICING — The user should not attempt to service the appliance beyond that described in the operating instructions. All other servicing should be contacted nearest Pioneer authorized service center.

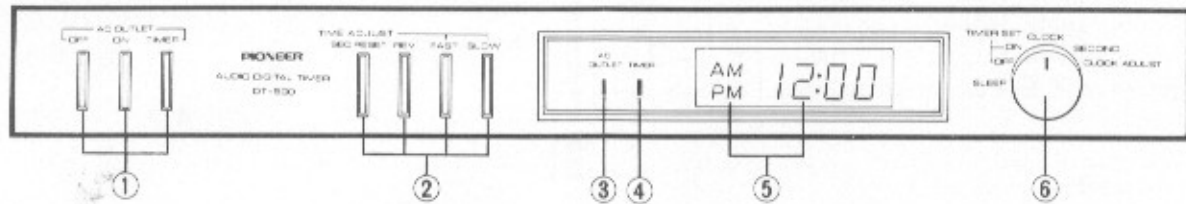
CAUTIONS

- When the timer is to be used to switch an AC outlets, which are set to ON, to OFF, depress the AC OUTLET-OFF switch.
Even when the AC OUTLET-TIMER switch is depressed again, the ON-OFF operation will be released and so the AC outlets will not revert to the ON mode.

The outlet will be activated at the set ON-OFF time from the following day.

- If the AC outlets are set to ON while the timer's ON and OFF times are being set, depress the AC OUTLET-OFF or ON switch and set the timer's times again.

FRONT PANEL FACILITIES



① AC OUTLET SELECTOR (OFF/ON/TIMER)

The AC OUTLET selectors are used when switching on and off the power to the components connected to the timer and thereby activating the timer, and also when giving priority to the timer function and switching on and off the power manually.

OFF: When this switch is depressed, the power being supplied to the connected components is switched off.

ON: When this switch is depressed, the power to the connected components is switched on.

TIMER: When this switch is depressed, the power being supplied to the connected components can be switched on and off by the timer switch function.

② TIME ADJUST SWITCHES

These switches are operated when setting the present clock time, the timer switch ON-OFF times and the sleep timer OFF time.

SEC RESET:

This switch works when the mode selector has been set to the SECOND position. When it is depressed, "0:00" appears on the display and when the switch is released, the seconds are counted ("0:00" - "0:01" - "0:02").

REV: When this switch is depressed together with the FAST or SLOW switch, the displayed time is put into reverse. The switch does not work when the mode selector has been set to the SLEEP or SECOND position.

FAST: When this switch is depressed, the displayed time is forwarded quickly.

SLOW: When this switch is depressed, the displayed time is forwarded slowly.

③ AC OUTLET INDICATOR

This indicator lights when power is being supplied to the AC outlet on the rear panel.

④ TIMER INDICATOR

This indicator lights when the AC OUTLET-TIMER switch has been depressed.

⑤ TIME DISPLAY

The following displays appear in line with the position of the mode selector.

MODE SELECTOR	TIME DISPLAY
SLEEP	Time remaining until the sleep timer goes OFF.
TIMER SET-OFF	Time set for the timer switch to go OFF.
TIMER SET-ON	Time set for the timer switch to come ON.
CLOCK	Present time in hours, minutes, AM or PM.
SECOND	Rightmost minute digit and second display.
CLOCK ADJUST	When the clock is set to the present time, the time is displayed in accordance with the operation of the time adjust switches.

NOTE:

"AM 12:00" or "0:00" may flash on the time display when the timer's power plug has been connected to a household AC outlet or when the power is restored after a power failure during actual operation.

⑥ MODE SELECTOR

This is used to select the timer switch functions.

SLEEP: Set here to set the sleep time.

TIMER SET-OFF: Set here to set the time at which the power to the connected components is to be switched off by the timer.

TIMER SET-ON: Set here to set the time at which the power to the connected components is to be switched on by the timer.

CLOCK: The present time is indicated on the time display. The mode selector is normally set to this position.

SECOND: Set here to set seconds of the present time correctly. Also set here to check the rightmost minute digit of the present time and the second display.

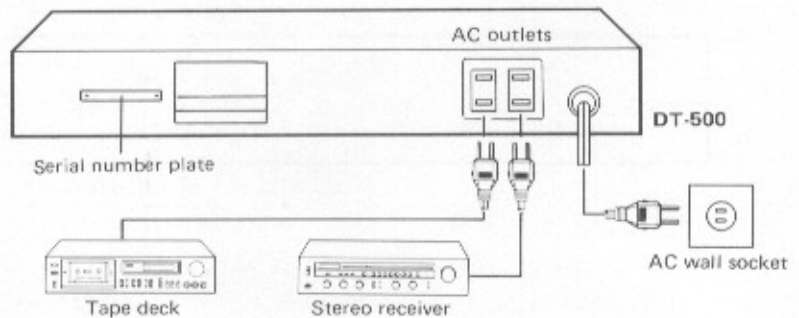
CLOCK ADJUST: Set here for setting the present time.

CONNECTIONS

Connect the power cord of the audio component (stereo receiver, tape deck, etc.) to the AC outlets of the DT-500.

NOTE:

- The total power consumption of audio components connected to the unit's AC outlets must not exceed 500W.
- Don't connect the unit to equipment such as a TV set or high-power amplifier which has a very large rush current when the power is switched on.

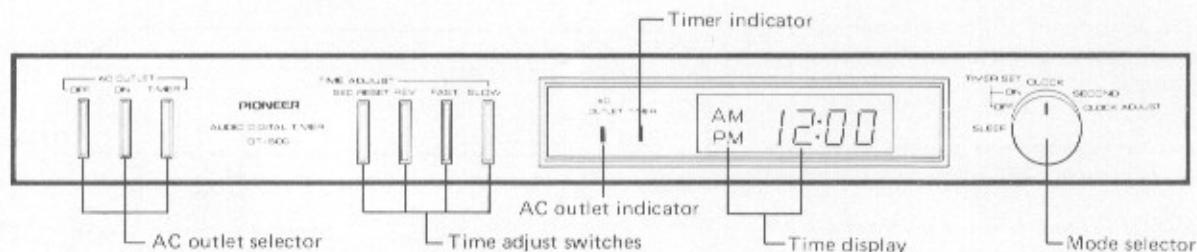


ADJUSTING THE PRESENT TIME

For the adjusting, proceed as outlined below (Example: Adjusting to AM 8:30).

<p>1 Connect the unit's power plug to the household AC outlet.</p> <ul style="list-style-type: none"> • "AM 12:00" or "0:00" flashes on the time display. <p style="text-align: center;">(Flashing)</p> <p style="text-align: center;">AM 12:00 or 0:00</p>	<p>5 Set the mode selector to CLOCK ADJUST.</p> <ul style="list-style-type: none"> • "AM 12:00" is displayed on the time display.
<p>2 Set the mode selector to SECOND.</p> <ul style="list-style-type: none"> • "0:00" flashes on the time display. <p style="text-align: center;">(Flashing)</p> <p style="text-align: center;">0:00</p>	<p>6 Depress the FAST switch and forward the time to thereabouts before the present time (AM 8:30). Now release the switch. The time display stops.</p> <ul style="list-style-type: none"> • "PM 12:00" means midday and "AM 12:00" means midnight.
<p>3 If you listen for the time signal on the telephone or radio, etc., you will be able to set the present time accurately down to the last second.</p> <p>Depress the SEC RESET switch and stand by until you hear the time signal.</p>	<p>7 Depress the SLOW switch and set the time display to "AM 8:30." Now release the switch.</p> <p>If the present time has been bypassed, depress the REV switch along with the FAST or SLOW switch and set the time.</p>
<p>4 Now release the SEC RESET switch when you hear the signal.</p> <ul style="list-style-type: none"> • The second count starts (0:00 → 0:01 → 0:02 → ...). 	<p>8 Set the mode selector to CLOCK.</p> <ul style="list-style-type: none"> • Now check that the present time is correct by listening to the time signal or looking at a watch or clock.

HOW TO USE THE TIMER



This unit can be used to switch on and off the power to the connected components at the desired time automatically. Only one ON-OFF time setting is possible within a 24-hour period. Before setting the ON and OFF times of the timer, depress the AC OUTLET-ON switch, operate the receiver or tape deck and check the sound from the broadcast or tape which you want to hear at the desired time.

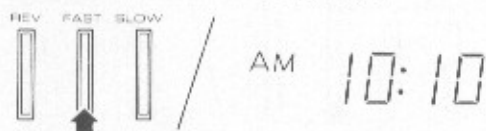
Example: Setting to ON at AM 10:30, setting to OFF at PM 2:30.

First, the ON time is set.

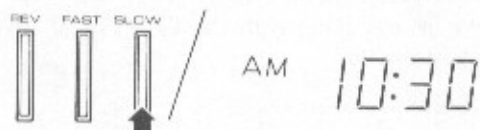
1 Set the mode selector to TIMER SET-ON.



2 Depress the FAST switch and forward the time to thereabouts before the ON time (AM 10:30). Now release the switch. The time display stops.



3 Depress the SLOW switch and set the time display to "AM 10:30." Now release the switch.



NOTE:
If the desired ON time has been bypassed, depress the REV switch along with the FAST or SLOW switch and set the time display to the desired ON time.

Next, set the OFF time.

4 Set the mode selector to TIMER SET-OFF.



5 Operate the FAST, SLOW and REV switches as with the ON time setting and set the time display to "PM 2:30." Now release the switch.



6 Now switch the mode selector's TIMER SET-ON and TIMER SET-OFF times respectively and check that the ON and OFF operation times have been set as desired.



7 Set the mode selector to CLOCK.



8 Depress the AC OUTLET-TIMER switch. The timer function will now work to switch on the connected components' power at "AM 10:30" and switch it off at "PM 2:30."

- The timer indicator (TIMER) lights.



NOTE:
The timer's ON and OFF times can be set in minimum units of minutes. The timer ON time cannot be set in seconds.

CHANGING THE TIMER'S SET TIMES

Repeat steps **1** through **8** when changing the timer's ON and OFF set times. The previously set times will be released and the new times will be set.

HOW TO USE THE SLEEP TIMER

Example: Switching off automatically at 1 hr 30 min later.

When the power ON time has been set, the power to the connected components is automatically switched off. This ON time can be set as desired anywhere between 1 minute and 1 hour 59 minutes. Before setting the OFF time of the sleep timer, depress the AC OUTLET-ON switch, operate the receiver or tape deck and check the sound which you want to hear.

1 Set the mode selector to SLEEP.
 • "0:00" appears on the time display.

2 Depress the SLOW or FAST switch and forward the time to just before the desired time(1:30). Now release the switch. The time will now start to count down and the display will change as follows:

• 1:59 → 1:58 1:30 1:00 → 59 → 58

3 Depress the SLOW switch and align the time display with "1:30." Now release the switch.

NOTE:
 When using the sleep timer function, the time will not go into reverse even when the REV switch is depressed along with the FAST or SLOW switch. If the desired time is bypassed, depress the FAST or SLOW switch and advance the display to "0:00," and then set the time by depressing the FAST or SLOW switch again.

4 Depress the AC OUTLET-TIMER switch. The sleep timer function will now work to switch off the power to the connected components 1 hour and 30 minutes later.

5 Return the mode selector to the CLOCK position.

The present time is indicated on the time display.

• When the mode selector is set to SLEEP, the remaining time is indicated on the time display.

RELEASING THE SLEEP TIMER FUNCTION
 To release the sleep function while the sleep timer is operating, set the mode selector to SLEEP, depress the FAST or SLOW switch, and set the time display to "0:00." This function can also be released by depressing the AC OUTLET-OFF switch. However, when this is done, the timer switch function is also deactivated.

PRECAUTIONS FOR USING SLEEP TIMER
 The sleep timer and TIMER SET-ON/OFF timer functions can be used independently. When the operating times overlap, the power from the AC OUTLET comes on during the overlapping time and it is switched off at the later setting. The sleep time can be set as desired but before setting it, check the timer's ON and OFF times first.

NOTE:
 If the MODE SELECTOR is kept at the SLEEP position, the audio components will not power on even at the ON time since priority is given to the sleep function even when the timer's ON time has been set in advance.

SPECIFICATIONS

Timer Section

Display of Time	Digital display of fluorescent display tube
Timer Type	24-hour type (24-hour display)
Timer Set	Only one ON/OFF time setting in minimum units of minutes within a 24-hour period
Timer Setting Interval	1 minute
Sleep Timer Type	On time duration; 1 minute to 1 hour 59 minutes
Accuracy of Time	Synchronized with line frequency
Accuracy of Timer	ON time accuracy; Delay time to displayed time Max. +0.1 second
Accuracy of Sleep Timer	Delay time for OFF to displayed time; No more than 59 second

Miscellaneous

AC outlets Capacity Power	Total of two AC outlets 500W max. (inductive load)
Power Requirements	AC 120V, 60Hz
Power Consumption	6W
Dimensions	420(W) x 144(D) x 50(H) mm 16-9/16(W) x 5-11/16(D) x 2(H) in
Weight (without package)	1.7 kg (3 lb 12 oz)

Furnished Parts

Operating Instructions	1
----------------------------------	---

NOTE:
 Specifications and the design subject to possible modifications without notice due to improvements.