

<ART-018-0>

SERVICE MANUAL

SPEAKER SYSTEMS

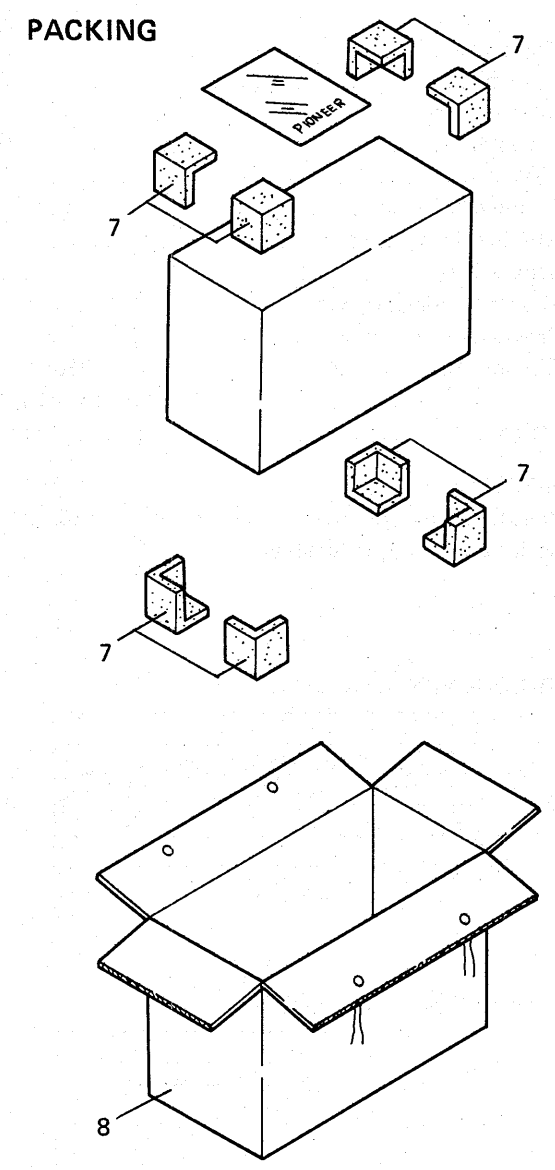
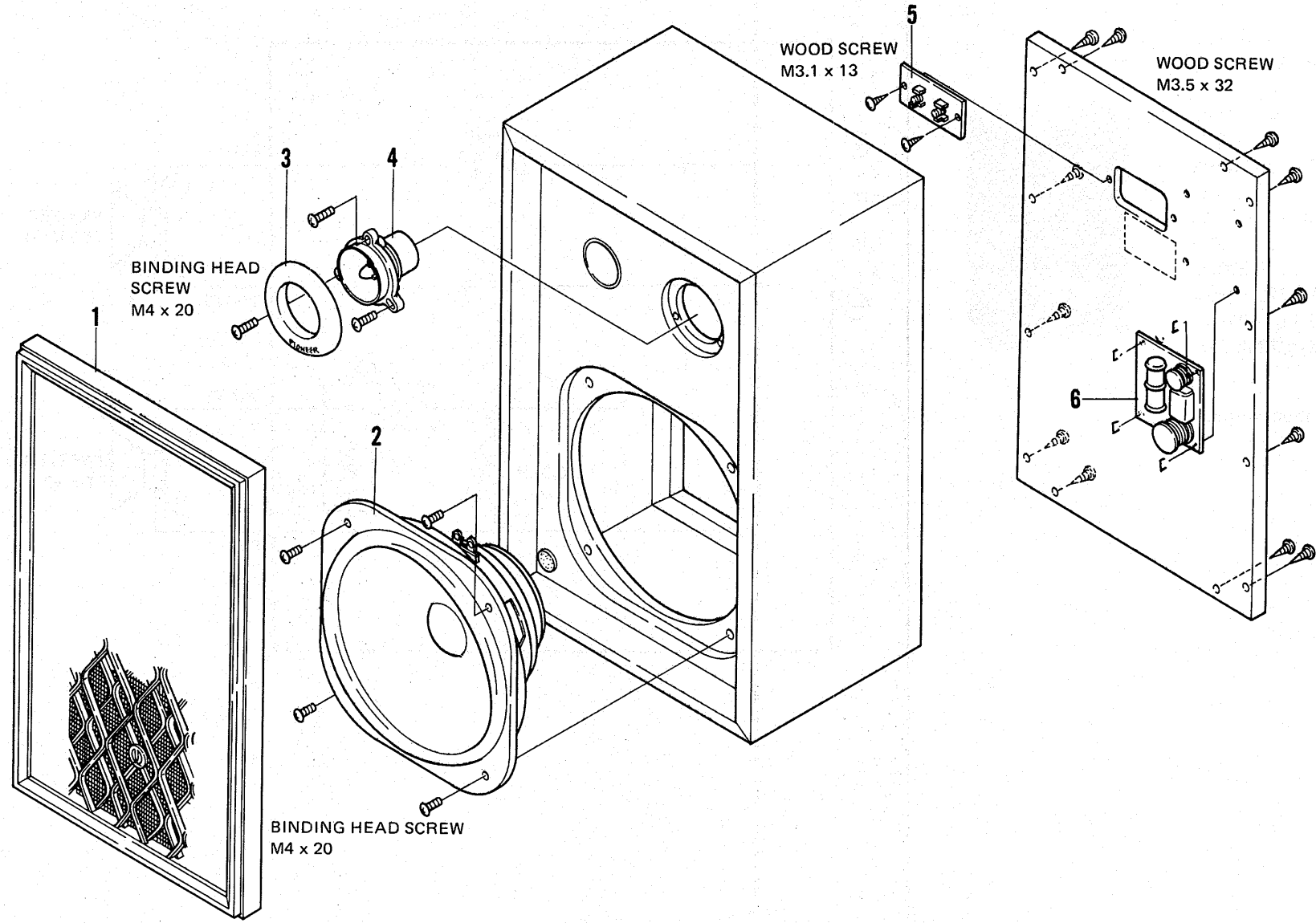
CS-301

CS-701

CS-801

CS-901

1.3 EXPLODED VIEW AND PARTS LIST



PARTS LIST

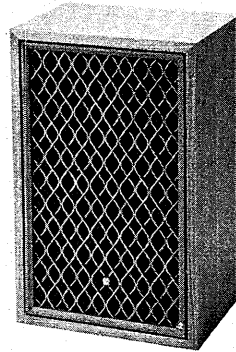
Key No.	Description	Part No.
1	Grille assembly	SXB-081-0
2	Woofer	25-713F-1
3	Tweeter ring	SNK-065-0
4	Tweeter	PT-8D-2
5	Input terminal	SKA-006-0
6	Network assembly	SWN-041-0

Key No.	Description	Part No.
7	Corner pad	SHA-018-0
8	Packing case	SHG-063-0
	Speaker cord	D51-603-A
	Felt pad	E11-048-0
	Operating guide	SRB-076-0

2. CS-701

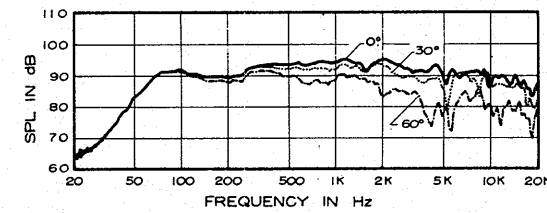
2.1 SPECIFICATIONS

Enclosure	Totally-enclosed type
System	3-way 3-speaker system
Loudspeakers:	
Woofers	30cm (12 in.) cone type
Mid-range	Horn type
Tweeter	Multicellular horn type
Nominal Impedance	8 Ω
Frequency Range	35 to 20,000Hz
Sensitivity	93.5dB/W at 1m distance
Maximum Input Power	70W
Crossover Frequency	1,500Hz, 10,000Hz
External Dimensions	400(W) x 640(H) x 297(D)mm 15-3/4(W) x 25-3/16(H) x 11-11/16(D) in.
Weight	18kg/39 lb 10oz.

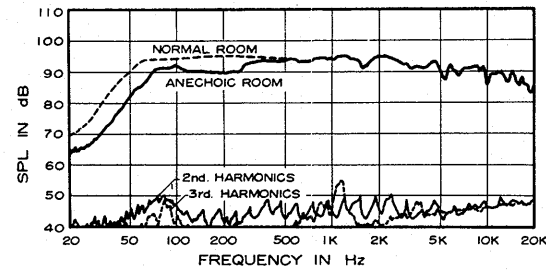


NOTE:
Specifications and the design subject to possible modification without notice due to improvements.

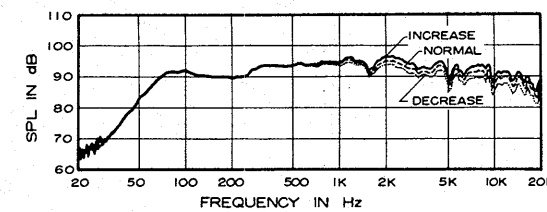
FREQUENCY RESPONSE



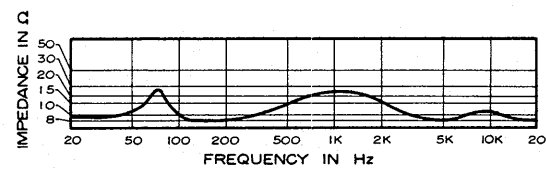
HARMONIC DISTORTION



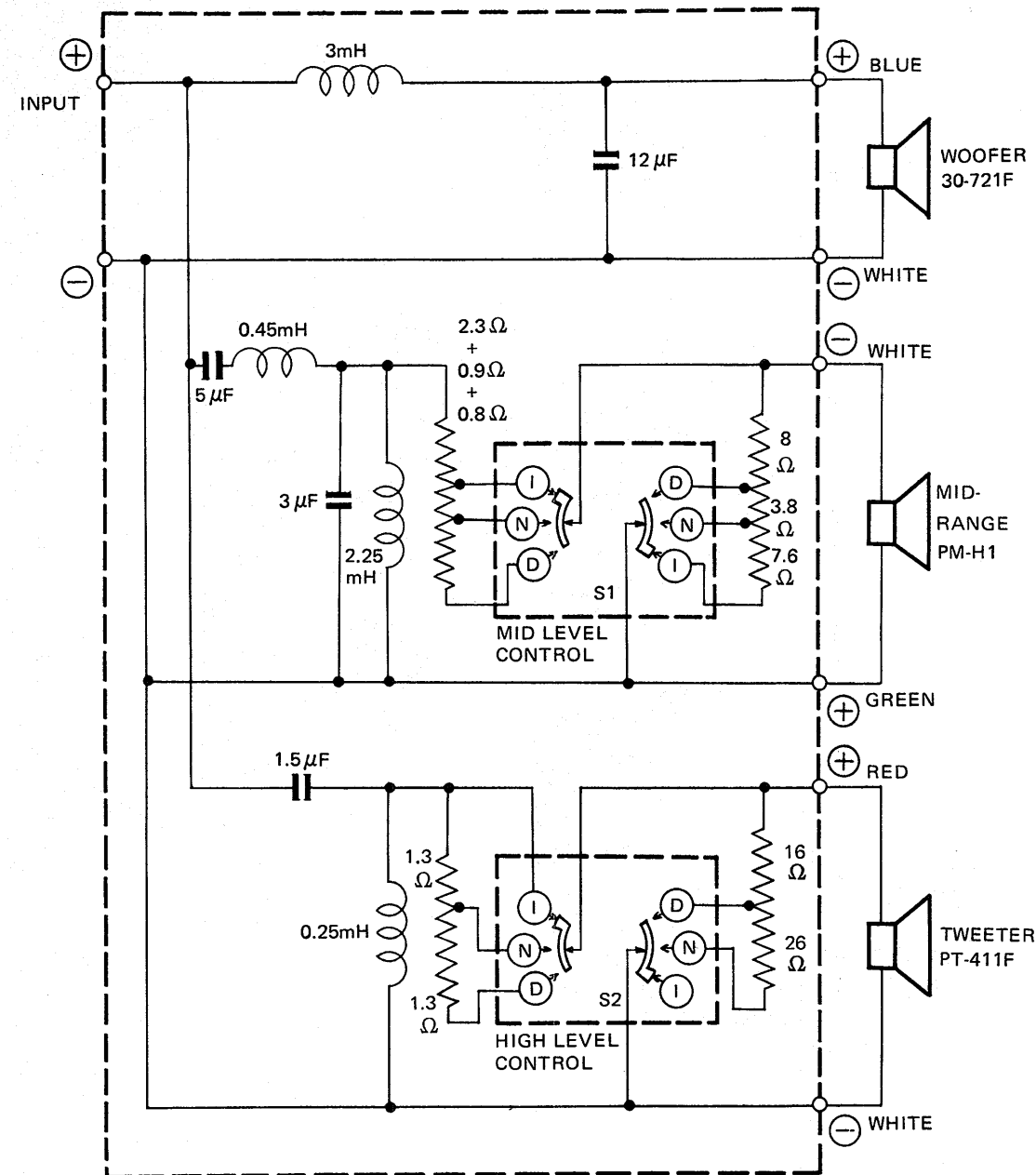
LEVEL CONTROL



IMPEDANCE



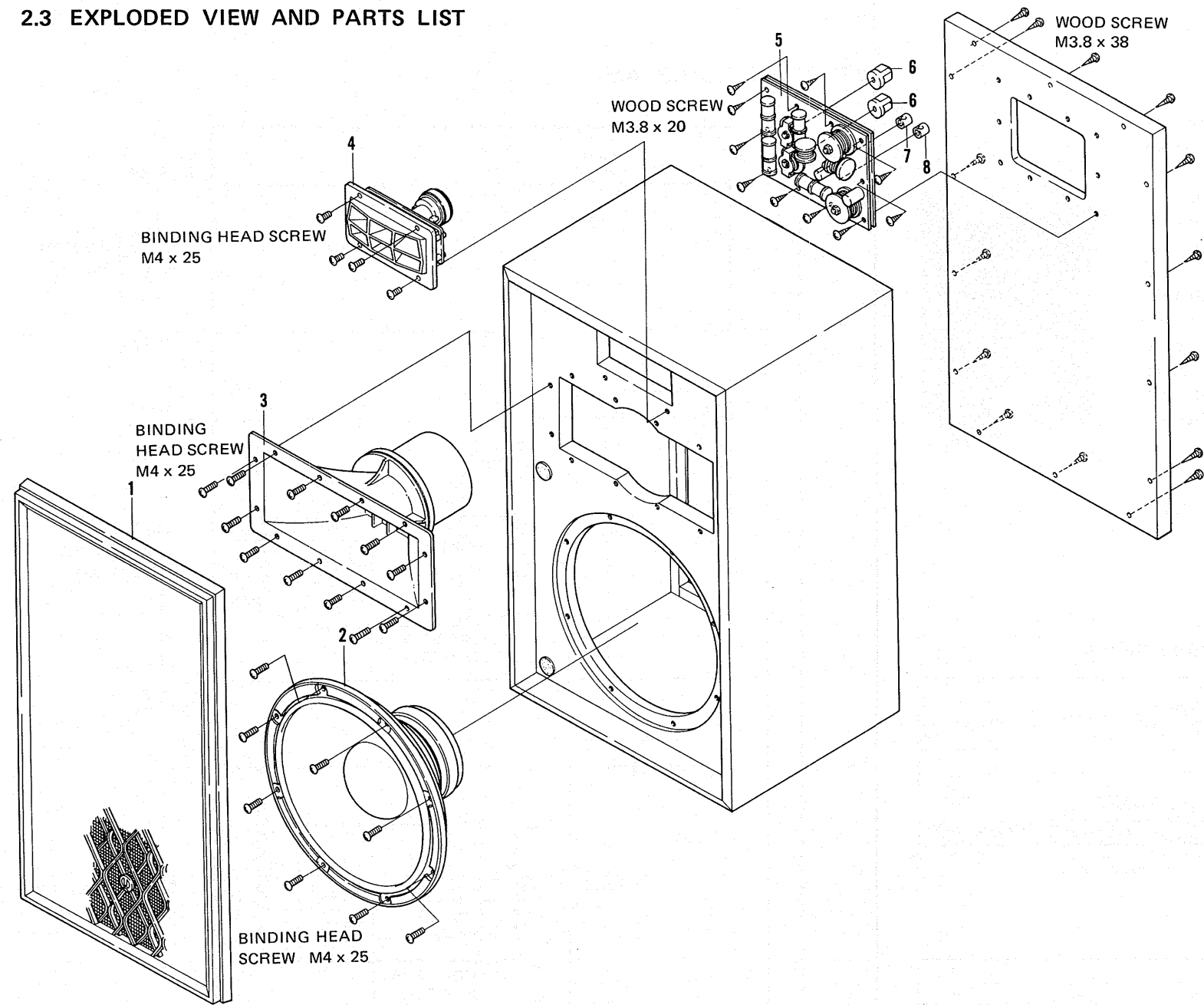
2.2 CIRCUIT DIAGRAM



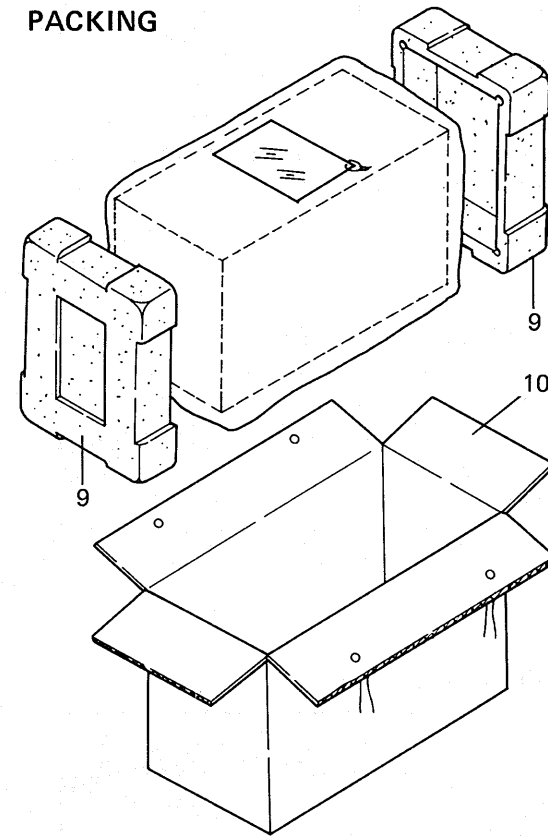
MID and HIGH LEVEL CONTROL POSITION
 I INCREASE
 N NORMAL
 D DECREASE

NOTE:
 The above circuit diagram does not apply to some versions of the CS-701 whose each tweeter is connected as follows:
 The white vinyl-wrapped end of the red cord is connected to negative (-) terminal and the red vinyl-wrapped end of the white cord to positive (+) terminal.
 When replacing the tweeter, care should be taken not to make mis-connection in polarity.

2.3 EXPLODED VIEW AND PARTS LIST



PACKING



PARTS LIST

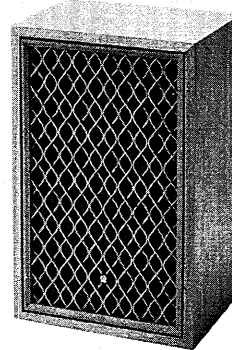
Key No.	Description	Part No.
1	Grille assembly	SXB-110-0
2	Woofer	30-721F
3	Mid-range	PM-H1
4	Tweeter	PT-411F
5	Network assembly	SWN-044-0
6	Level control knob	A19-621-0
7	Input terminal (blue)	K15-612-B

Key No.	Description	Part No.
8	Input terminal (white)	K15-612-C
9	Styrotector	SHA-034-0
10	Packing case (CS-701/G model only)	SHG-069-0
	Packing case (CS-701/E model only)	SHG-068-0
	Speaker cord	SDD-035-0
	Felt pad	E11-048-A
	Operating guide	SRB-075-0

3. CS-801

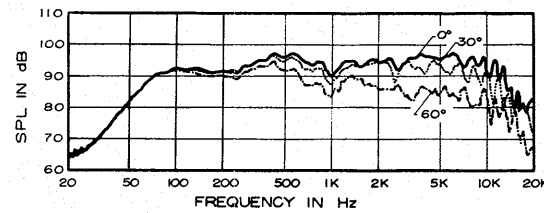
3.1 SPECIFICATIONS

Enclosure Totally-enclosed type
 System 3-way 3-speaker system
 Loudspeakers:
 Woofer 30cm (12 in.) cone type
 Mid-range Horn type
 Tweeter Multicellular horn type
 Nominal Impedance 8Ω
 Frequency Range 30 to 20,000Hz
 Sensitivity 96dB/W at 1m distance
 Maximum Input Power 85W
 Crossover Frequency 1,400Hz, 11,000Hz
 External Dimensions 400(W) x 640(H) x 297(D)mm
 15-3/4(W) x 25-3/16(H) x 11-11/16(D) in.
 Weight 20.5kg/45 lb. 2oz.

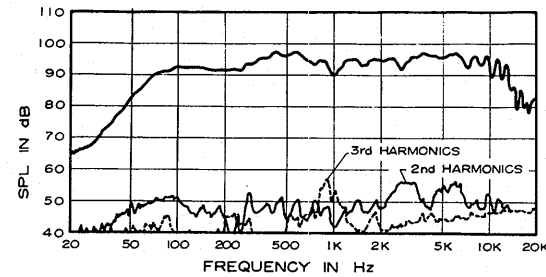


NOTE:
 Specifications and the design subject to possible modification without notice due to improvements

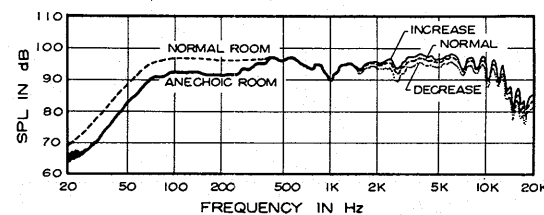
FREQUENCY RESPONSE



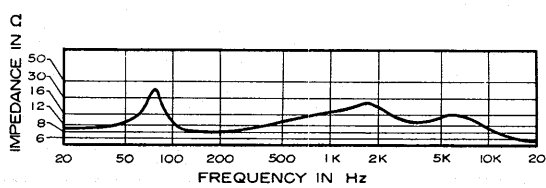
HARMONIC DISTORTION



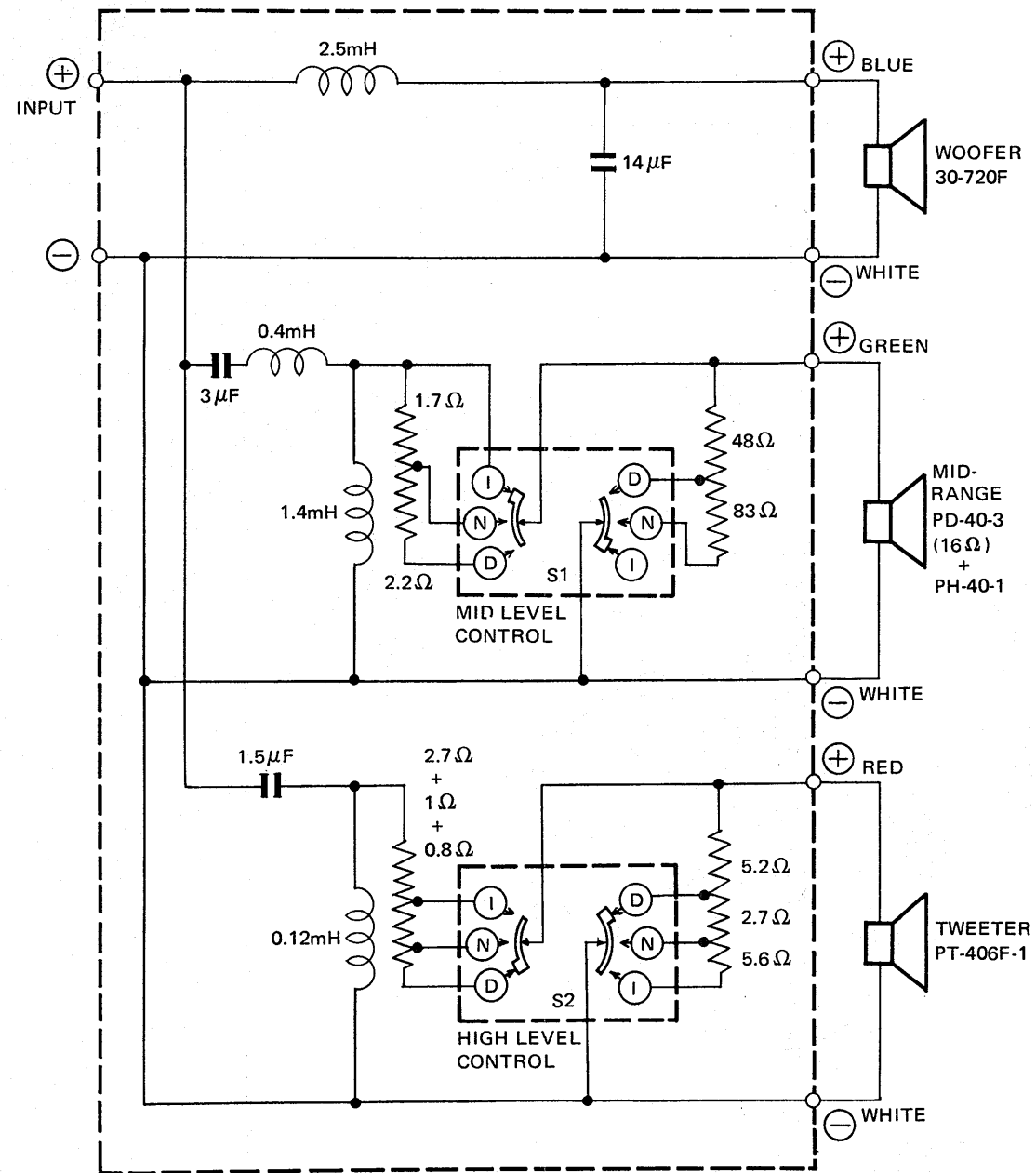
LEVEL CONTROL



IMPEDANCE



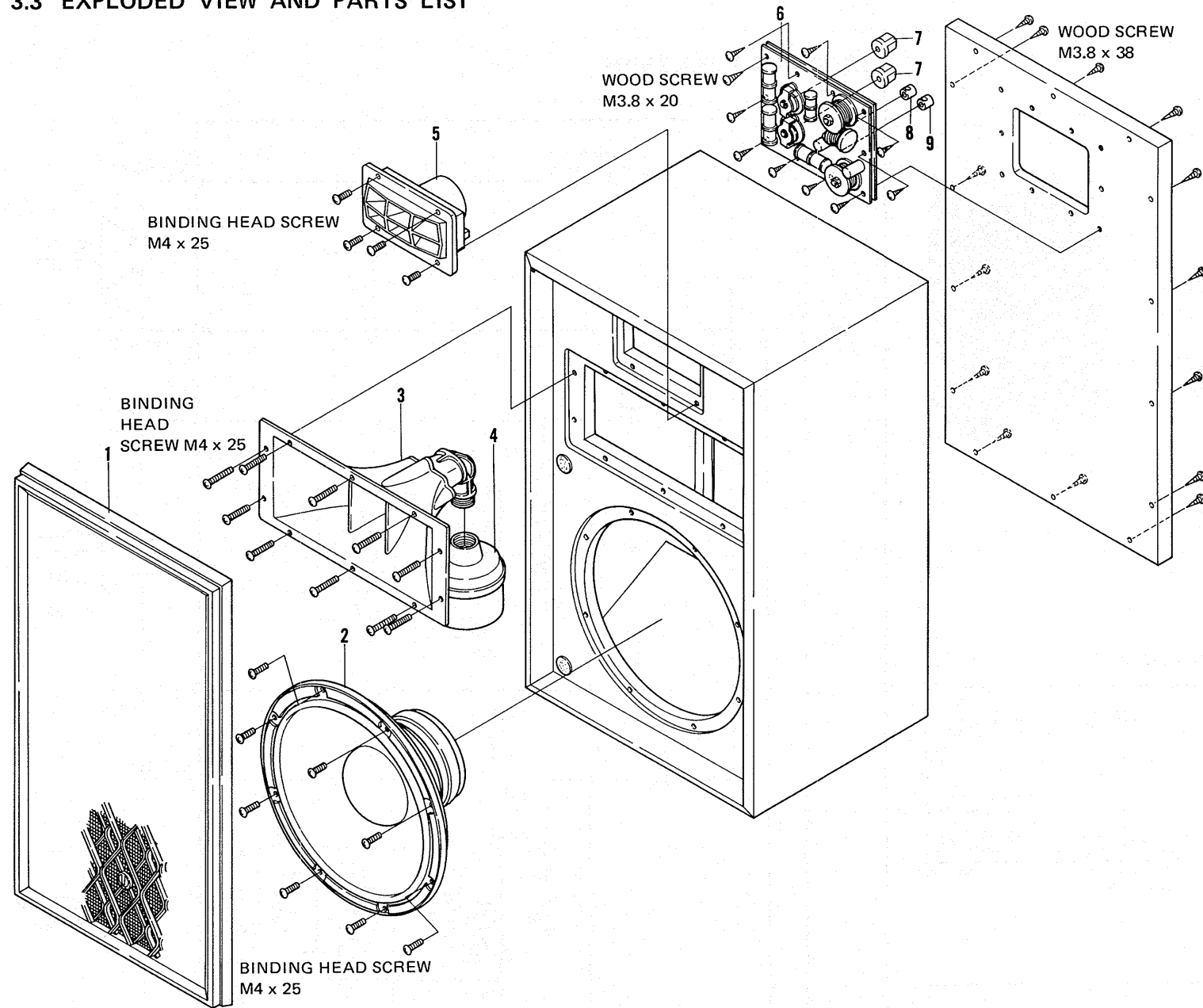
3.2 CIRCUIT DIAGRAM



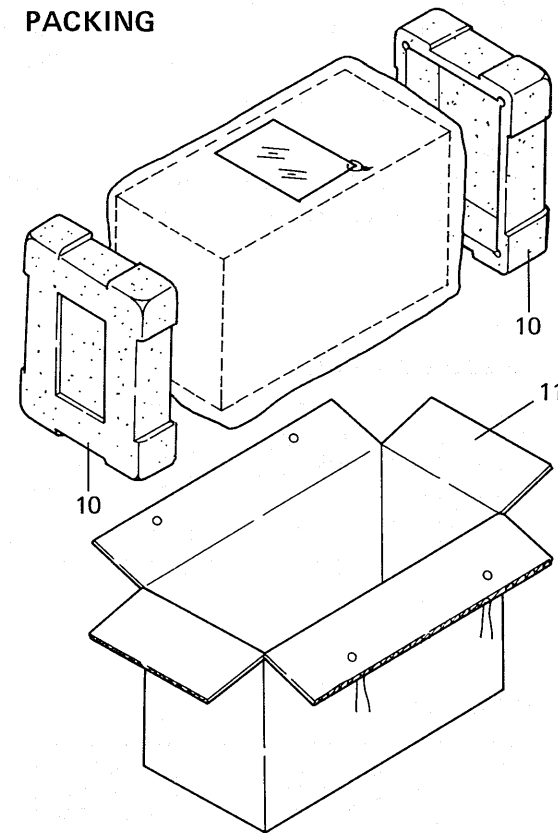
MID and HIGH LEVEL CONTROL POSITION

- I INCREASE
- N NORMAL
- D DECREASE

3.3 EXPLODED VIEW AND PARTS LIST



PACKING



PARTS LIST

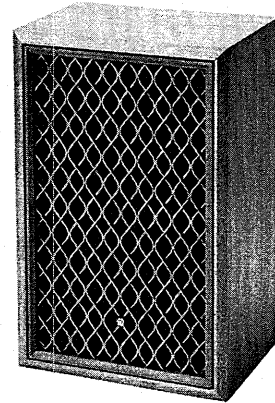
Key No.	Description	Part No.
1	Grille assembly	SXB-082-0
2	Woofers	30-720F
3	Horn unit	PH-40-1
4	Driver unit	PD-40-3 (16Ω)
5	Tweeter	PT-406F-1
6	Network assembly	SWN-042-0
7	Level control knob	A19-621-0

Key No.	Description	Part No.
8	Input terminal (blue)	K15-612-B
9	Input terminal (white)	K15-612-C
10	Styrotector	SHA-034-0
11	Packing case (CS-801/G model only)	SHG-065-0
	Packing case (CS-801/E model only)	SHG-064-0
	Speaker cord	SDD-035-0
	Felt pad	E11-048-A
	Operating guide	SRB-073-0

4. CS-901

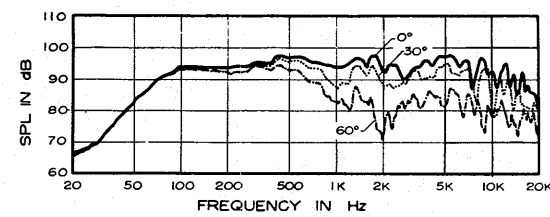
4.1 SPECIFICATIONS

Enclosure	Totally-enclosed type
System	4-way 5-speaker system
Loudspeakers:	
Woofer	38cm (15 in.) cone type
Mid-range	Horn type
Tweeter	Multicellular horn type with woofer
Super tweeters	Dome type x 2
Nominal Impedance	8Ω
Frequency Range	30 to 22,000Hz
Sensitivity	97dB/W at 1m distance
Maximum Input Power	100W
Crossover Frequency:	
Woofer-Mid-range	1,700Hz
Mid-range-Tweeter	6,000Hz
Tweeter-Super Tweeter	9,000Hz
External Dimensions	420(W) x 660(H) x 297(D)mm
	16-1/2(W) x 26(H) x 11-11/16(D) in.
Weight	25kg/55 lb.

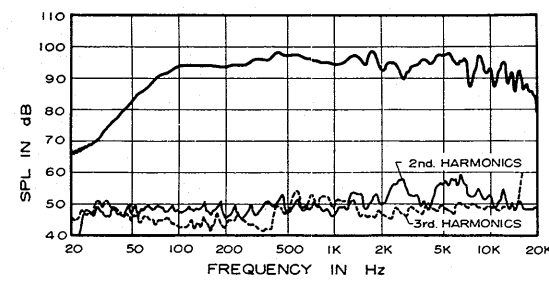


NOTE:
Specifications and the design subject to possible modification without notice due to improvements.

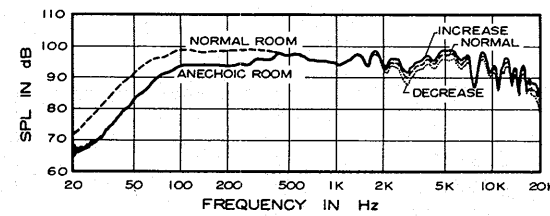
FREQUENCY RESPONSE



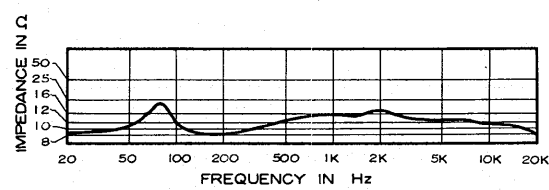
HARMONIC DISTORTION



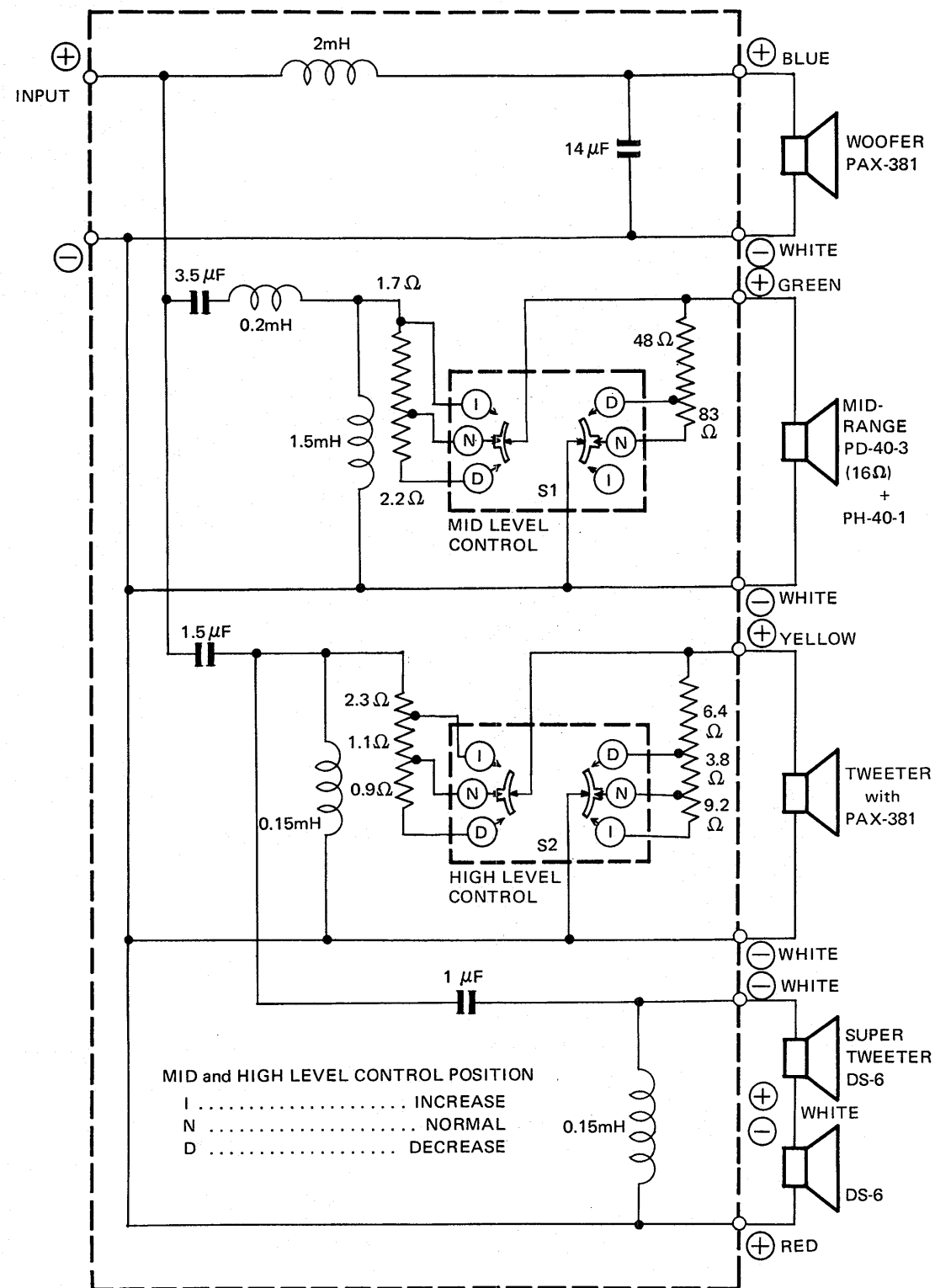
LEVEL CONTROL



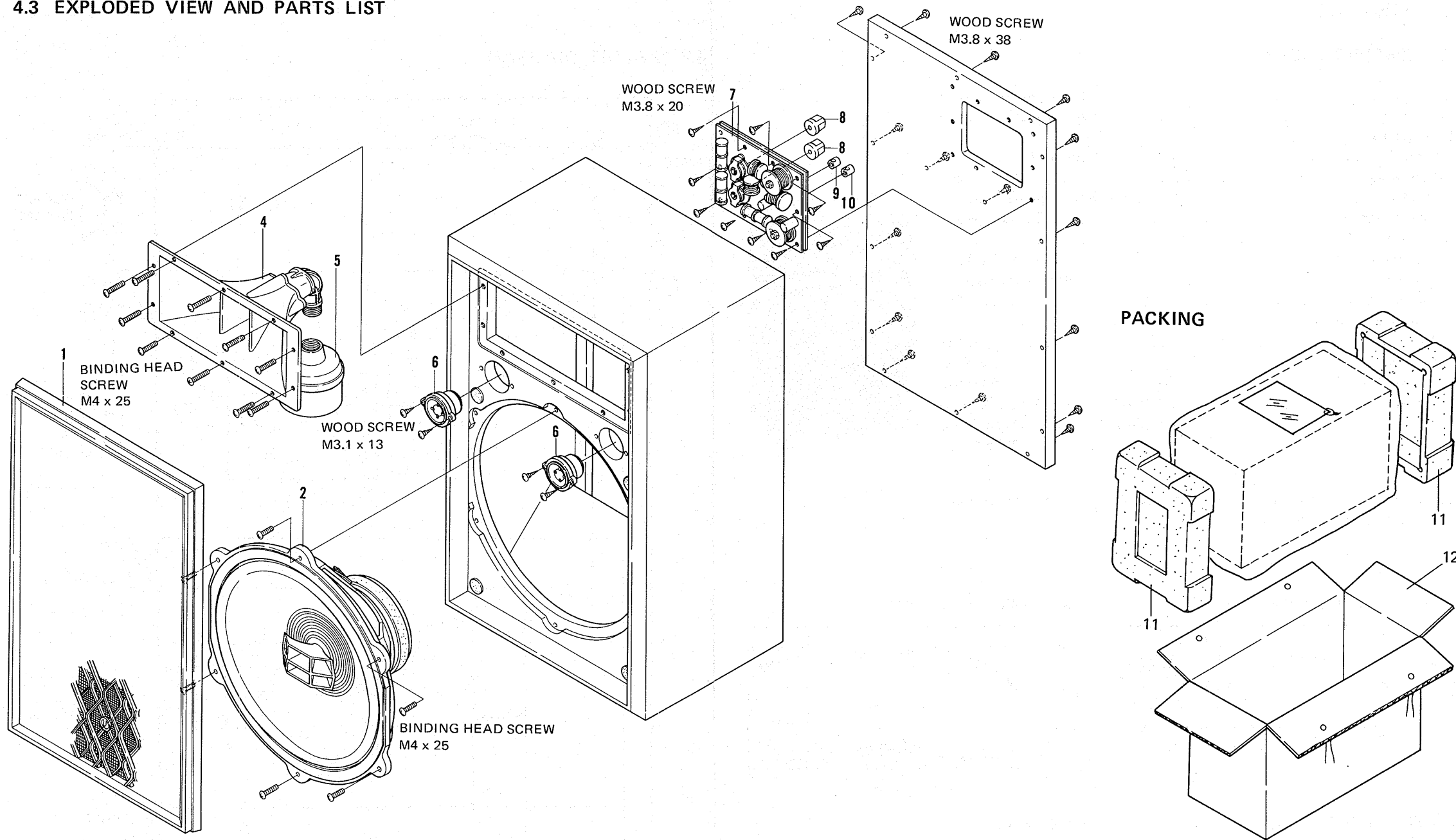
IMPEDANCE



4.2 CIRCUIT DIAGRAM



4.3 EXPLODED VIEW AND PARTS LIST



PARTS LIST

Key No.	Description	Part No.	
1	Grille assembly	SXB-085-0	
2	Woofer and tweeter	PAX-381	
3	*****	*****	
4	Horn unit	PH-40-1	
5	Driver unit	PD-40-3 (16Ω)	
6	Super tweeter	DS-6	
7	Network assembly	SWN-043-0	
8	Level control knob	A19-621-0	

Key No.	Description	Part No.	
9	Input terminal (blue)	K15-612-B	
10	Input terminal (white)	K15-612-C	
11	Styrotector	SHA-035-0	
12	Packing case (CS-901/G model only)	SHG-067-0	
	Packing case (CS-901/E model only)	SHG-066-0	
	Speaker cord	SDD-035-0	
	Felt pad	E11-048-A	
	Operating guide	SRB-074-0	

PIONEER ELECTRONIC CORPORATION
15-5, 4-Chome, Ohmori-nishi, Ohta-ku, Tokyo, Japan
U.S. PIONEER ELECTRONICS CORPORATION
178 Commerce Road, Carlstadt New Jersey 07072 U.S.A.
PIONEER ELECTRONIC (EUROPE) N.V.
Meir-center, Meir 21, 2000 Antwerp, Belgium

© JULY 1973

Printed in Japan