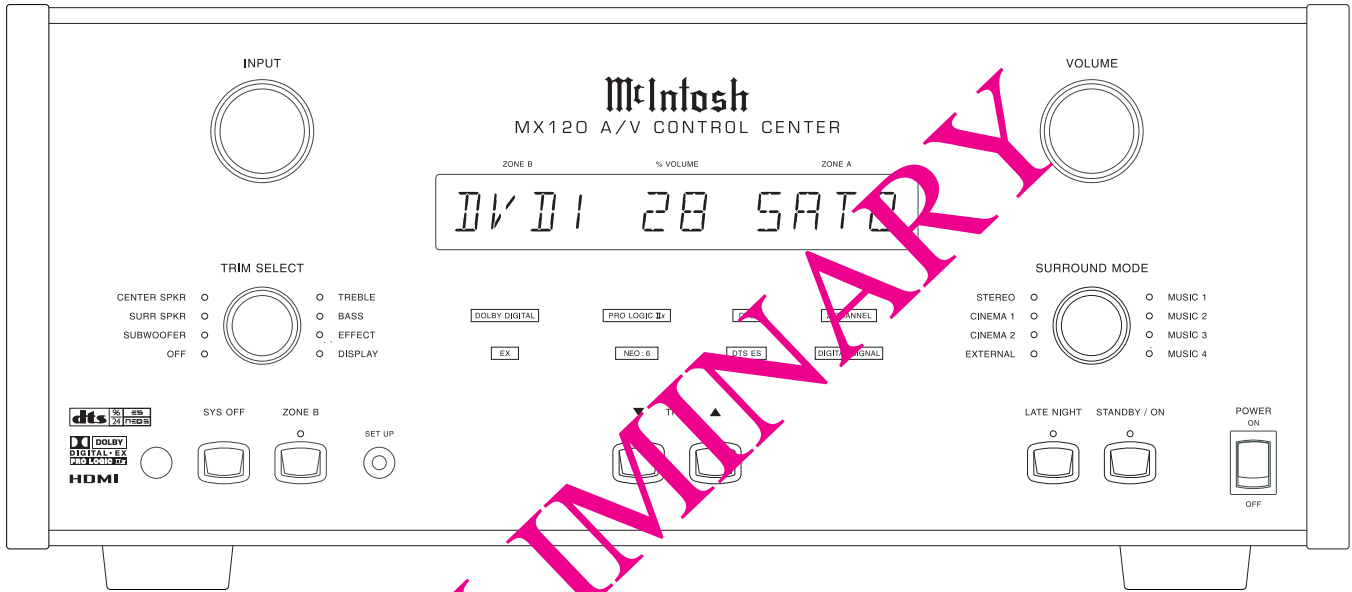




MX120

A/V CONTROL CENTER

SERIAL NO. XN1001 And Above



PRELIMINARY

CONTENTS

Performance Specifications	2 - 3	S-Video Schematic and PCB	37 - 40
Notes	3	Video Schematic and PCB	41 - 44
Rear Panel	3	Input Schematic and PCB	45 - 50
Section Location	4	Component Video Schematic and PCB	51 - 54
Block Diagram	5 - 8	HDMI Power Supply Schematic and PCB	55 - 56
Interconnection Diagram	9 - 10	HDMI Module Schematic and PCB	57 - 58
Display Schematic and PCB	11 - 18	Balanced Output Schematic and PCB	59 - 60
Surround Schematic and PCB	19 - 32	Parts List	61 - 74
Data Schematic and PCB	33 - 36	Repacking Instruction	75

SERVICE MANUAL

Serial Number XN1001 And Above

PERFORMANCE SPECIFICATIONS

Audio Specifications

Frequency Response

Left, Center, Right,
Left Surround,
Right Surround,
Left Back, Right Back:
±0.5dB from 20Hz-20,000Hz

Subwoofer¹:

±0.5dB from 20Hz-140Hz

Total Harmonic Distortion

0.005% maximum from 20Hz to 20,000Hz at rated output

Signal To Noise Ratio

Phono: 86dB below 10mV input (A Weighted)
High Level: 96dB below rated output (A Weighted)

Rated Output Voltage

2.5V Unbalanced Outputs (Main)
5.0V Balanced Outputs (Main)

Maximum Voltage Output

9.5V Unbalanced
19V Balanced

Output Impedance

100 ohms Unbalanced
200 ohms Balanced

Input Impedance

Phono: 47k Ohms, 65pf
High Level: 22k Ohms Unbalanced
50k Ohms Balanced

Sensitivity for Rated Output

Phono: 5mV
High Level: 500mV Unbalanced
1V Balanced

Maximum Input Signal

Phono: 50mV
High Level: 5V Unbalanced
10V Balanced

Voltage Gain

Phono to REC Out: 40dB
Phono to Output (Main): 54dB
High Level to REC Out: 0dB
High Level to Output (Main): 14dB

Tone Controls

Bass Control: ±12dB at 30Hz
Treble Control: ±12dB at 10,000Hz

General Specifications

Power Requirements

100 Volts, 50/60Hz at 65 watts
110 Volts, 50/60Hz at 65 watts
120 Volts, 50/60Hz at 65 watts
220 Volts, 50/60Hz at 65 watts
230 Volts, 50/60Hz at 65 watts
240 Volts, 50/60Hz at 65 watts

Note: Refer to the rear panel of the MX120 for the correct voltage.

Overall Dimensions

Width is 17-1/2 inches (44.45cm)
Height is 7-5/8 inches (19.37cm) including feet
Depth is 18-3/4 inches (47.63cm) including the Front Panel and Knobs

Weight


27 pounds (12.25Kg) net, 46 pounds (20.87Kg) shipping

Shipping Carton Dimensions

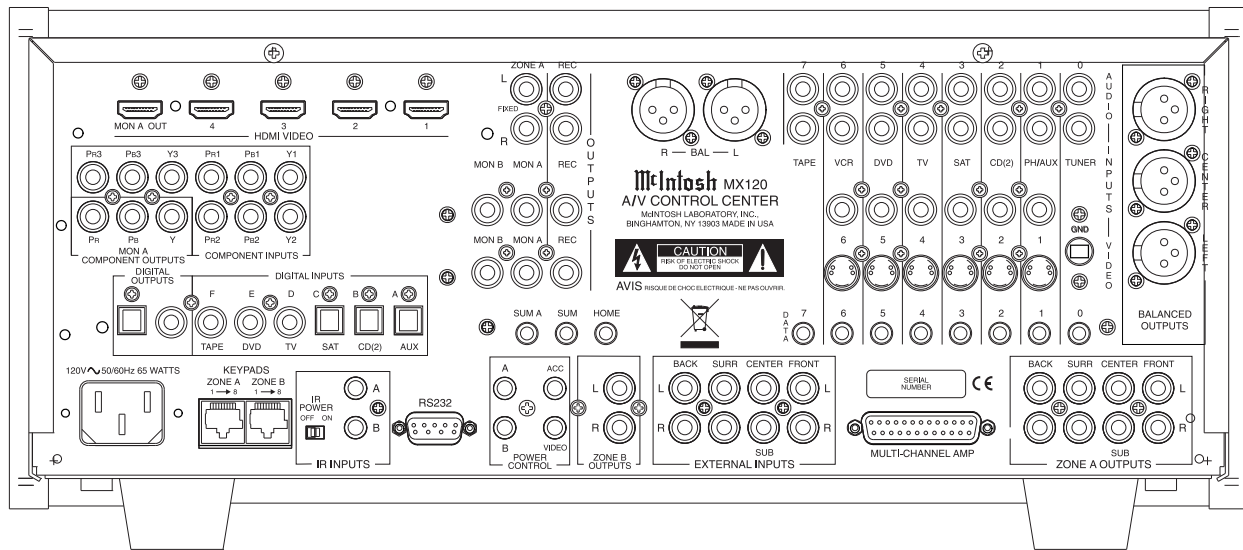
Width is 25 inches (63.5cm)
Depth is 27 inches (68.6cm)
Height is 12 inches (30.5cm)

¹ If any of the Channels have the Loudspeaker Setting of Small, the subwoofer has an electronic low pass filter with a 24dB per Octave rolloff in all modes except external.

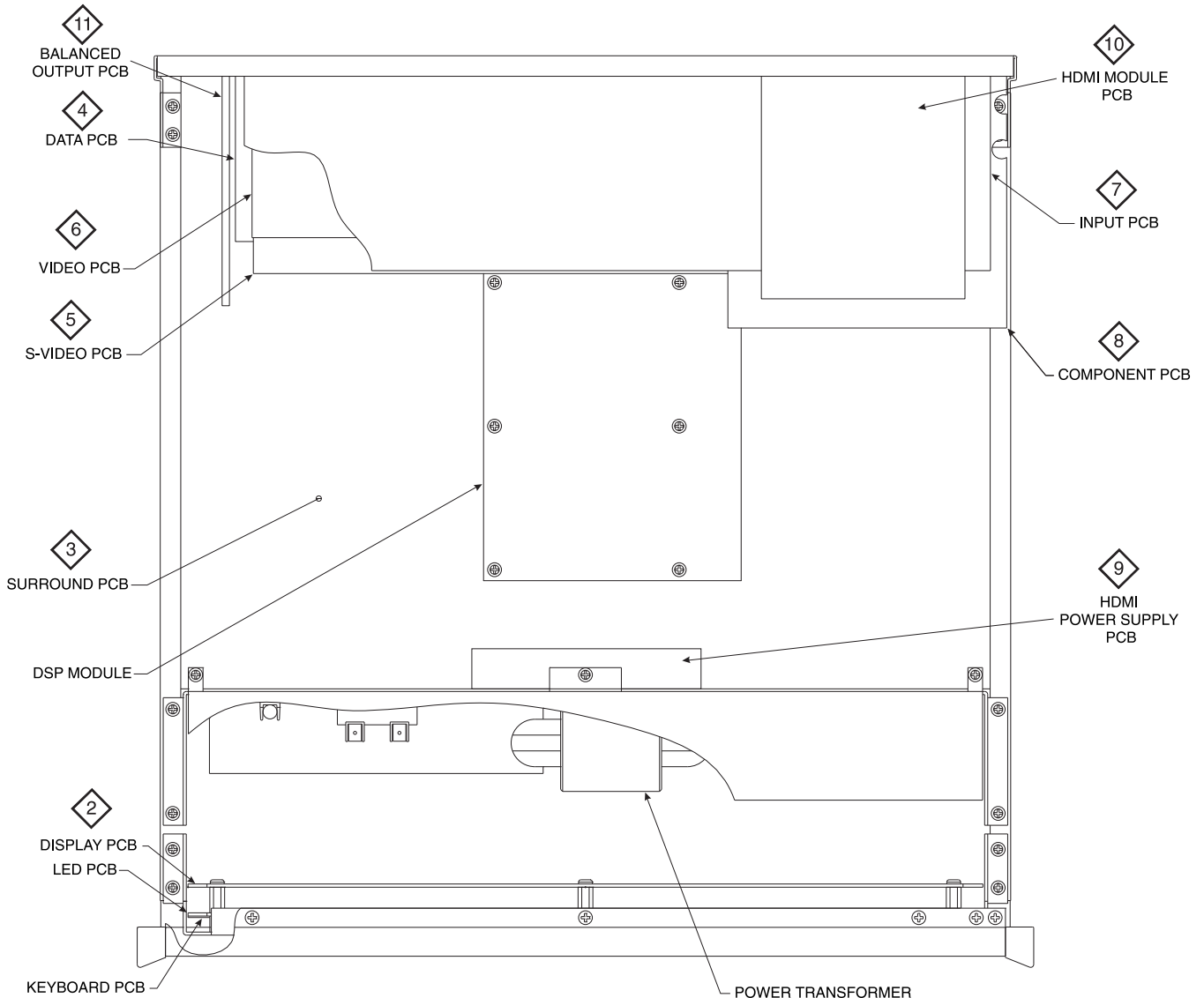
NOTES

1. Unless otherwise noted, all voltages indicated on the schematics are measured under the following conditions:
 - a. AC input at 120 volts, 50/60Hz.
 - b. All voltages are +/-10% with respect to ground. A high impedance (10 megaohm) voltmeter must be used.
2. On PC board drawings, Square pad indicates:
 - a. Polarized Capacitors - Positive
 - b. Diodes - Cathode
 - c. Others - Pin 1
3. **WARNING**
Parts marked with the symbol  have critical characteristics. Use only replacement parts recommended by the manufacturer.

REAR PANEL

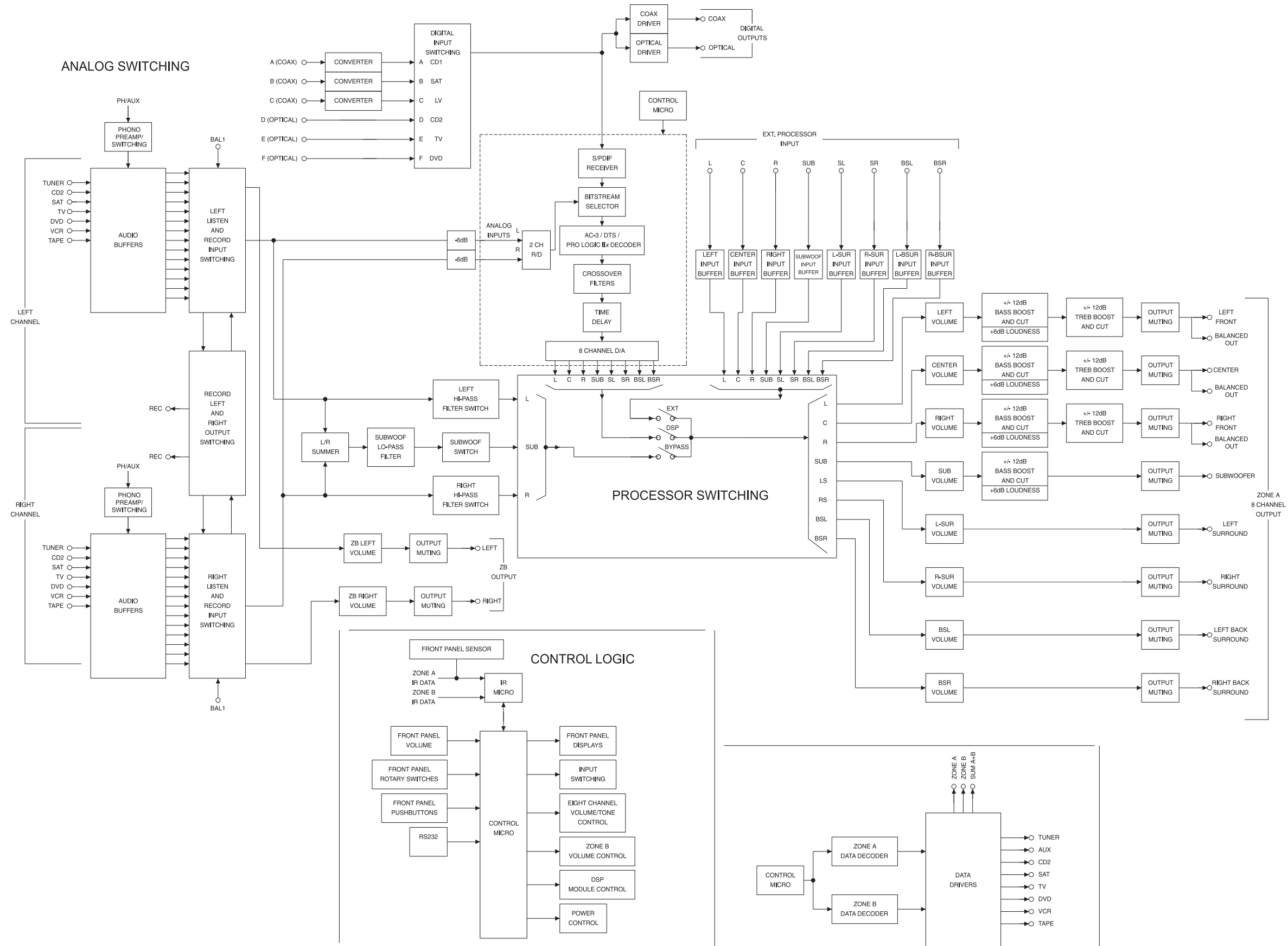


SECTION LOCATION

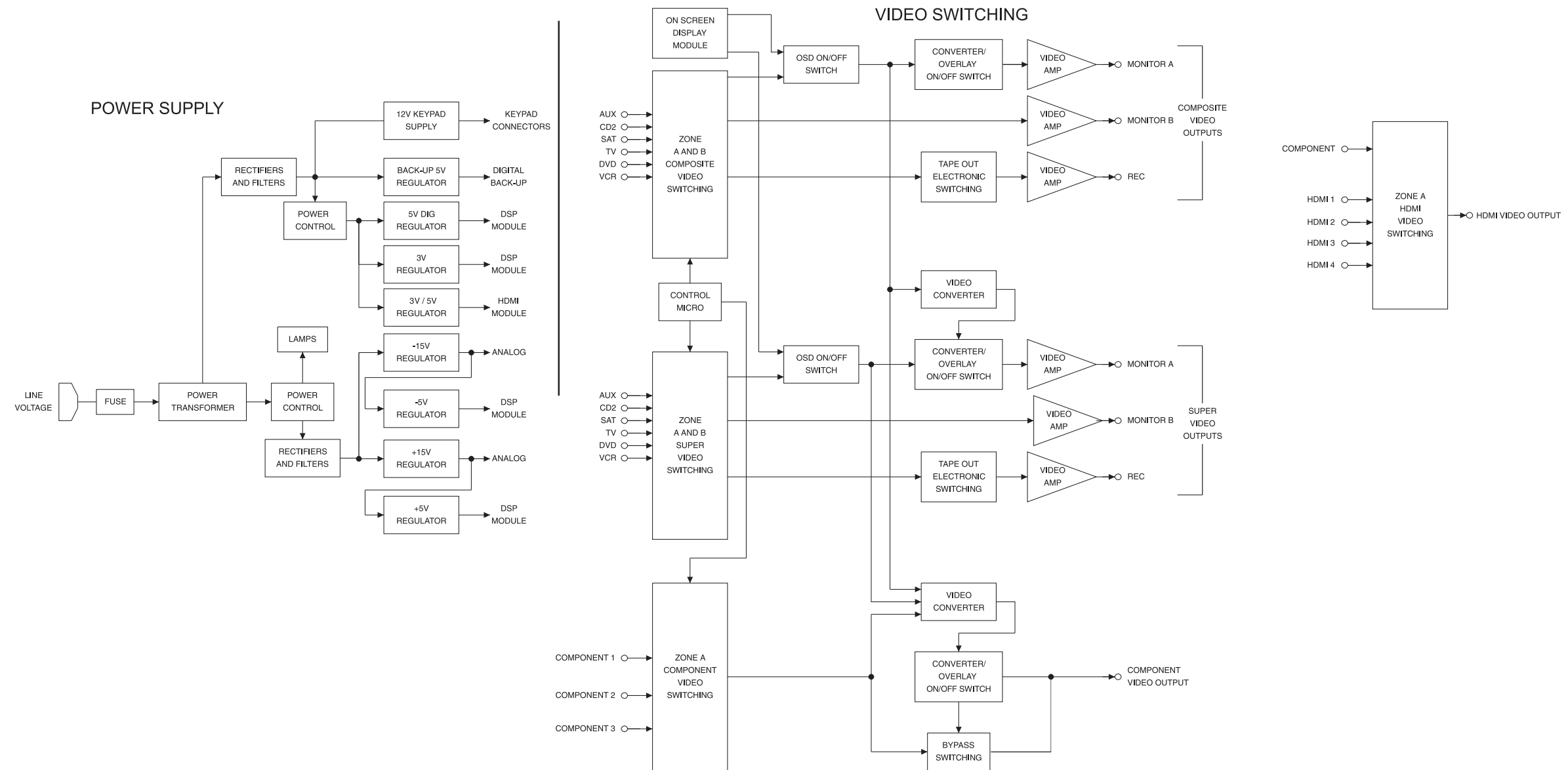


NOTES

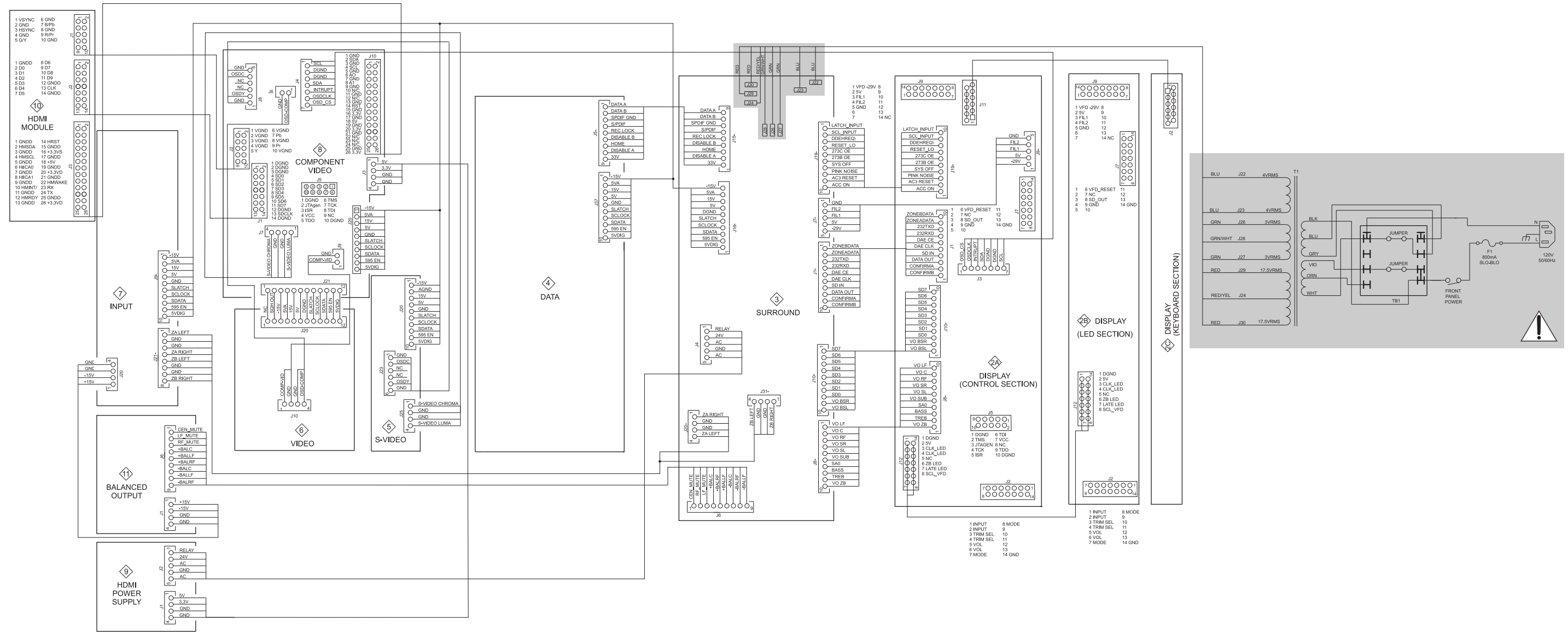
BLOCK DIAGRAM



BLOCK DIAGRAM con't

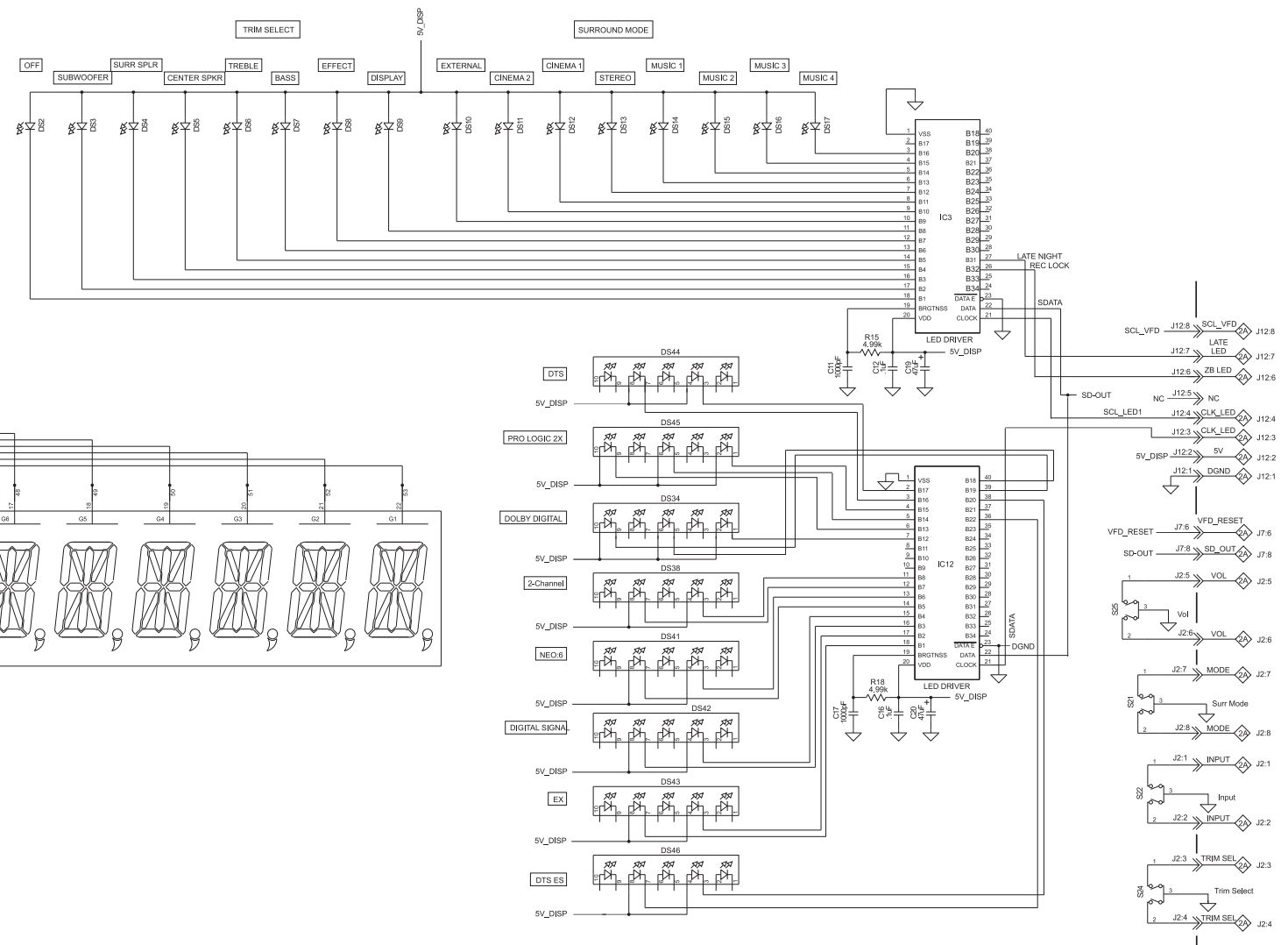
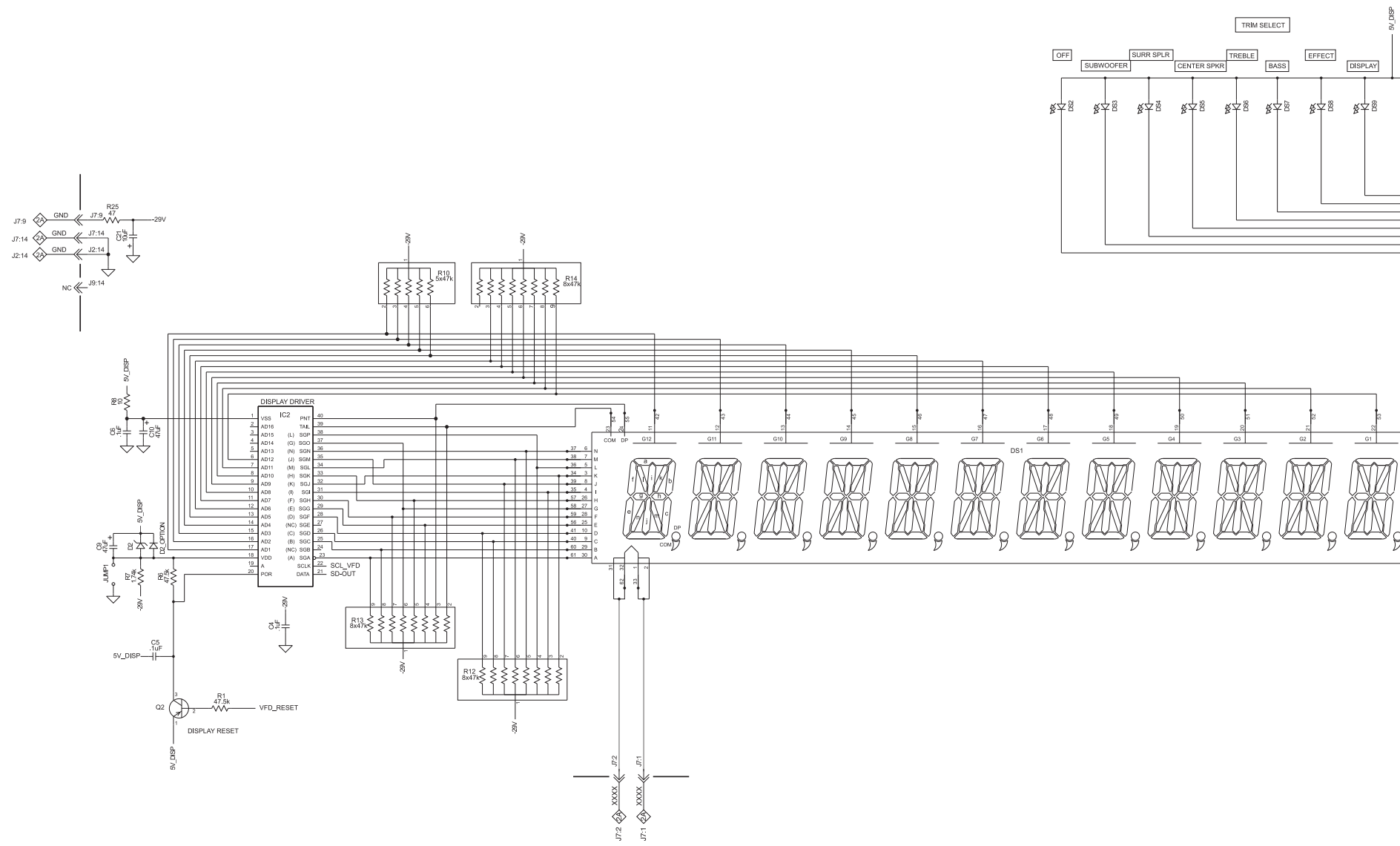


1 INTERCONNECT

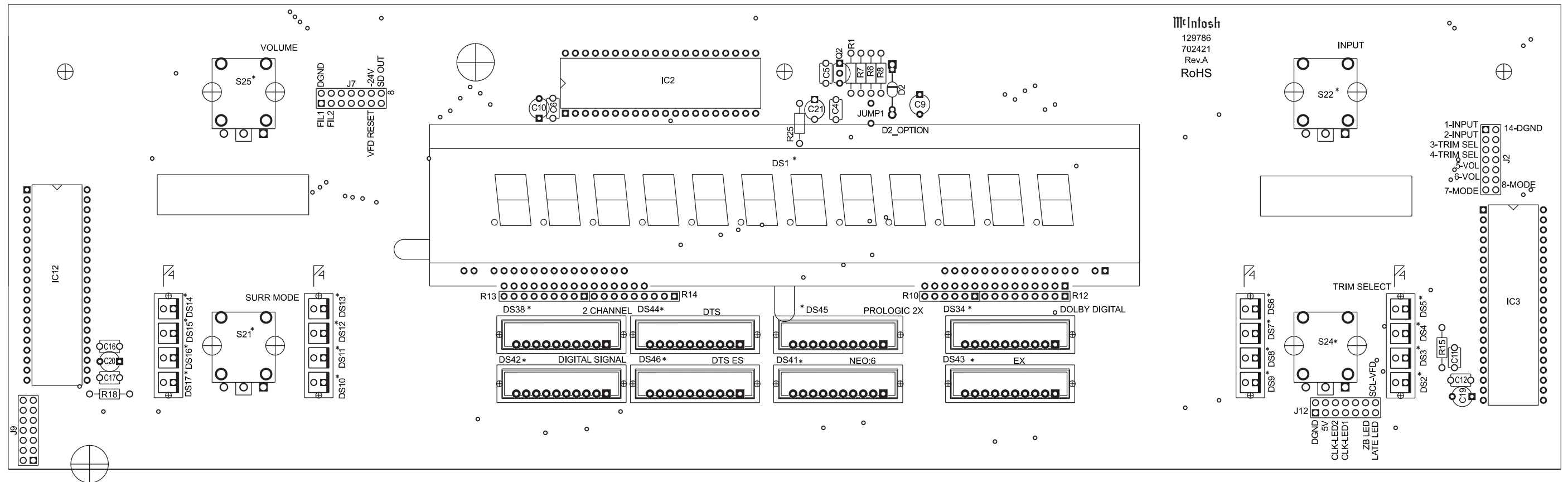


2B DISPLAY LED SECTION SCH 750577

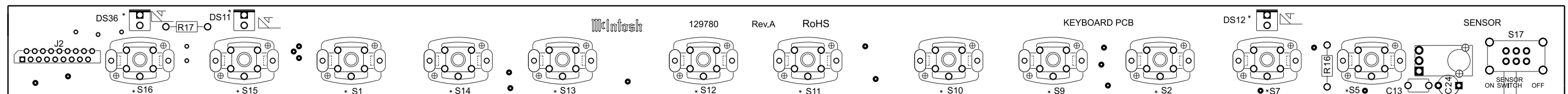
MX120



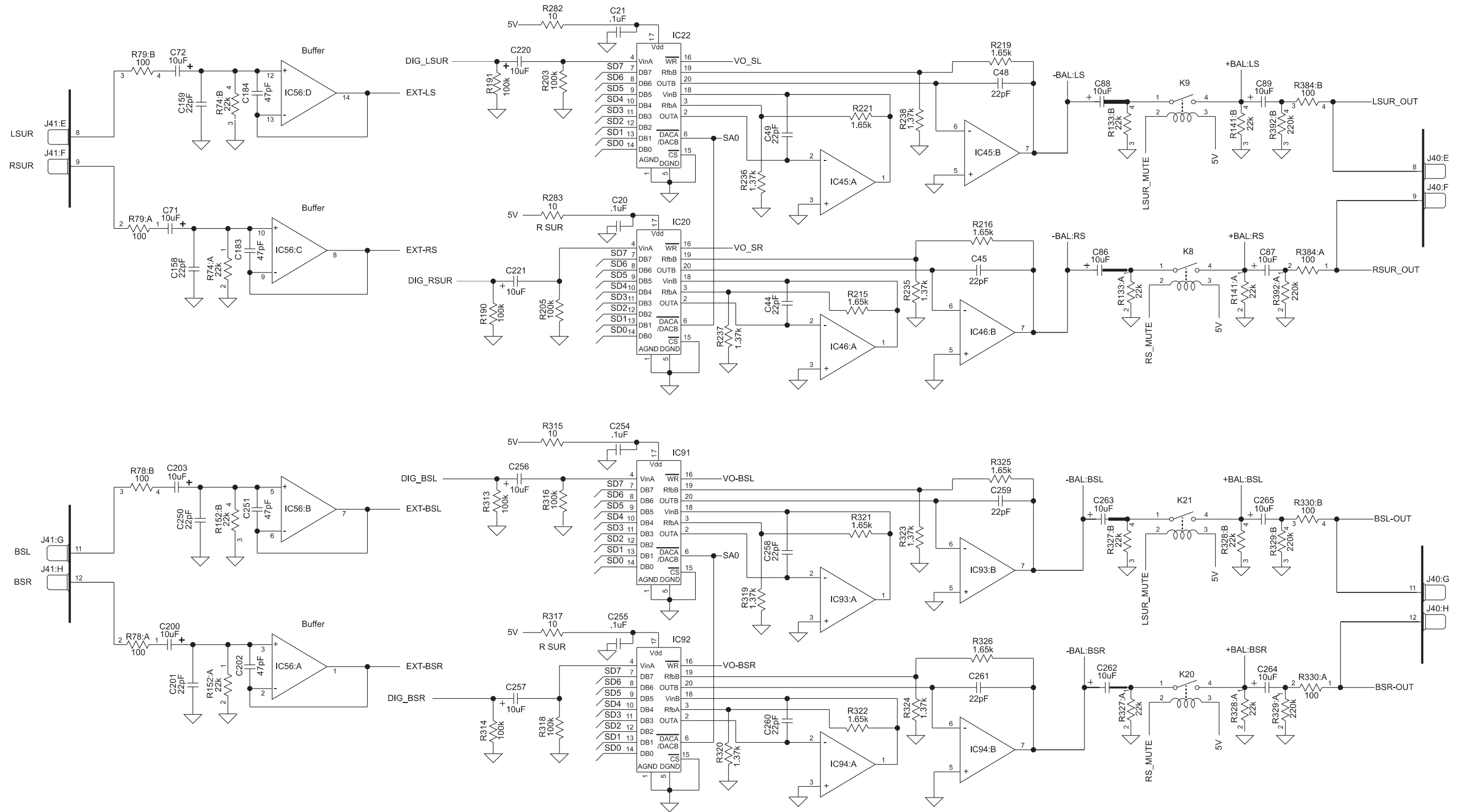
2B DISPLAY LED SECTION PCB 750577



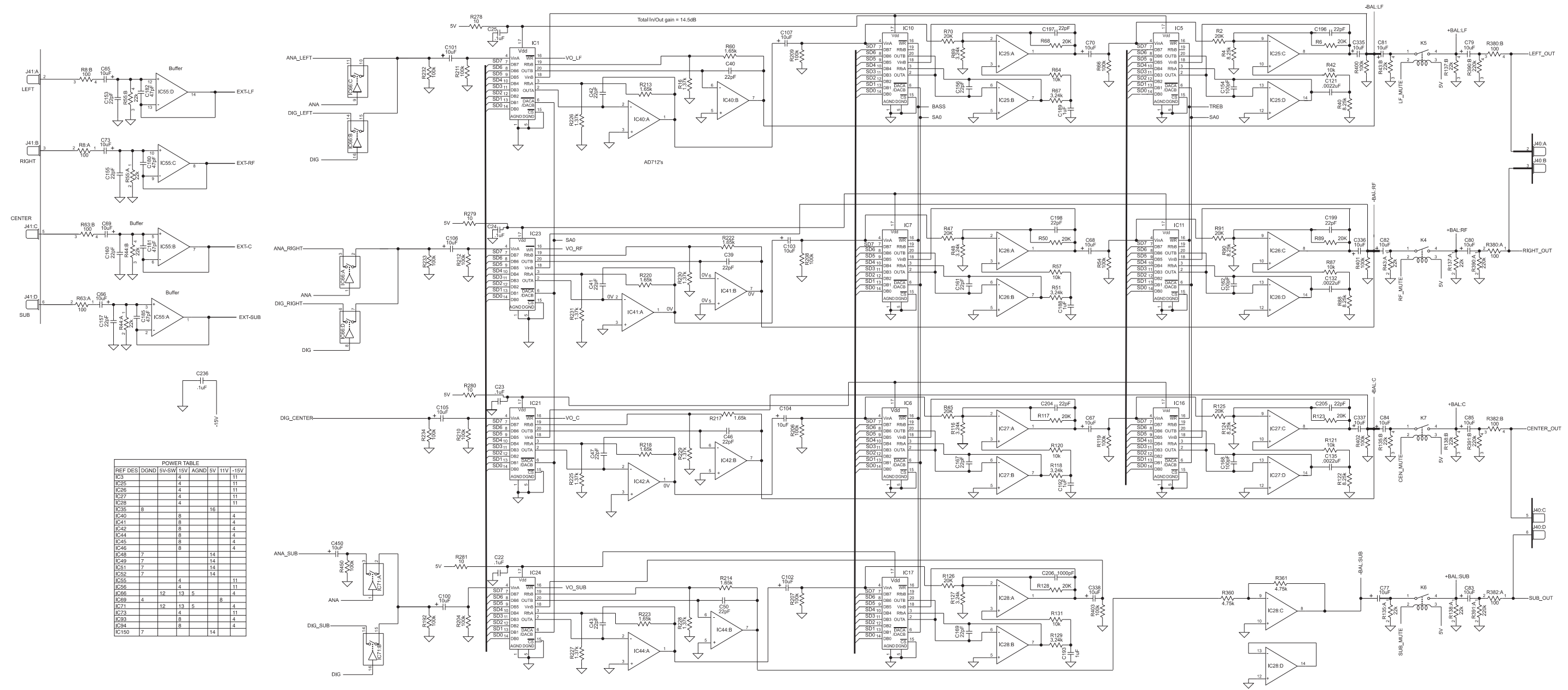
2C DISPLAY KEYBOARD SECTION PCB 750568



3 SURROUND 750570 SCH 1 OF 6

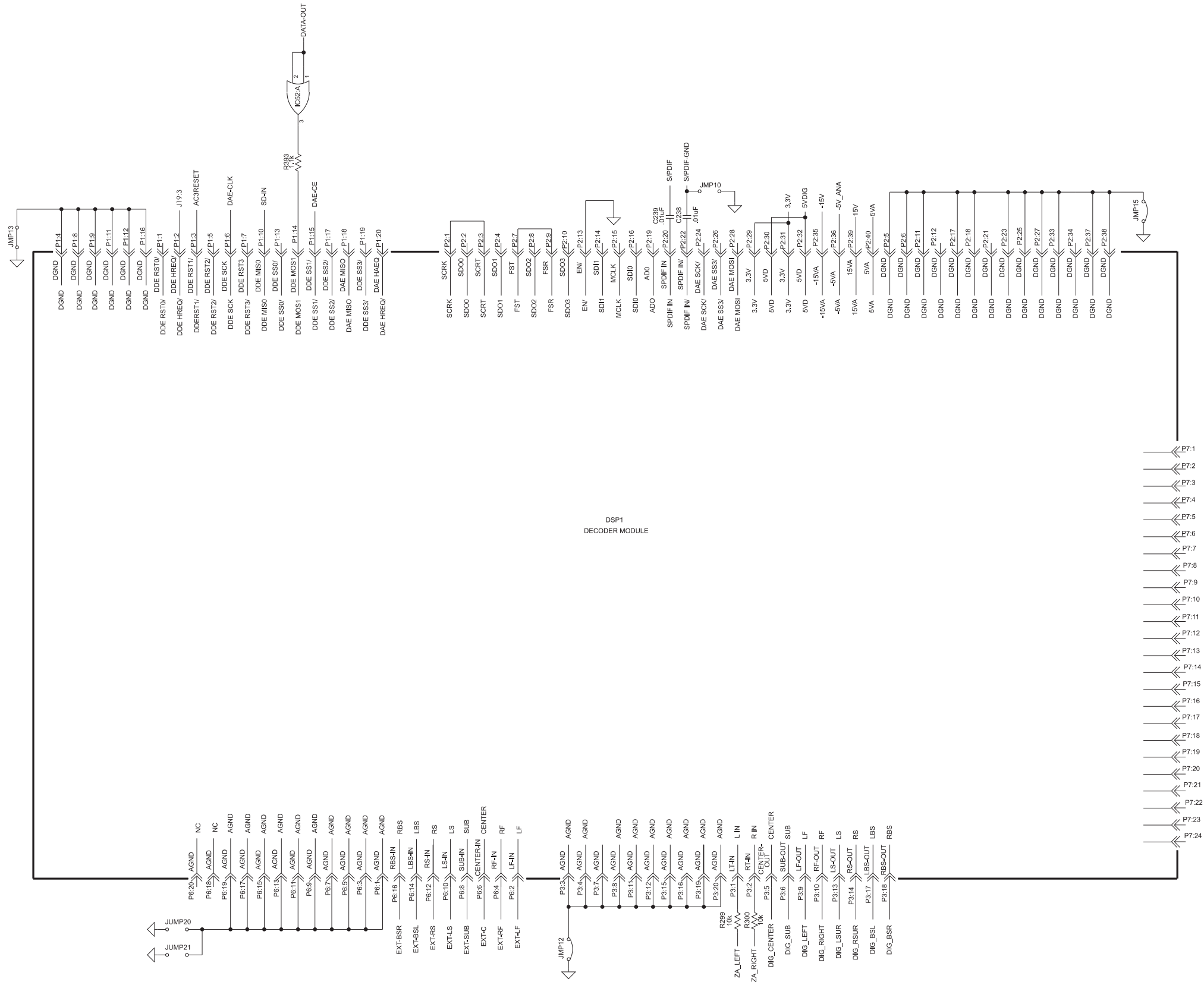


3 SURROUND 750570 SCH 2 OF 6

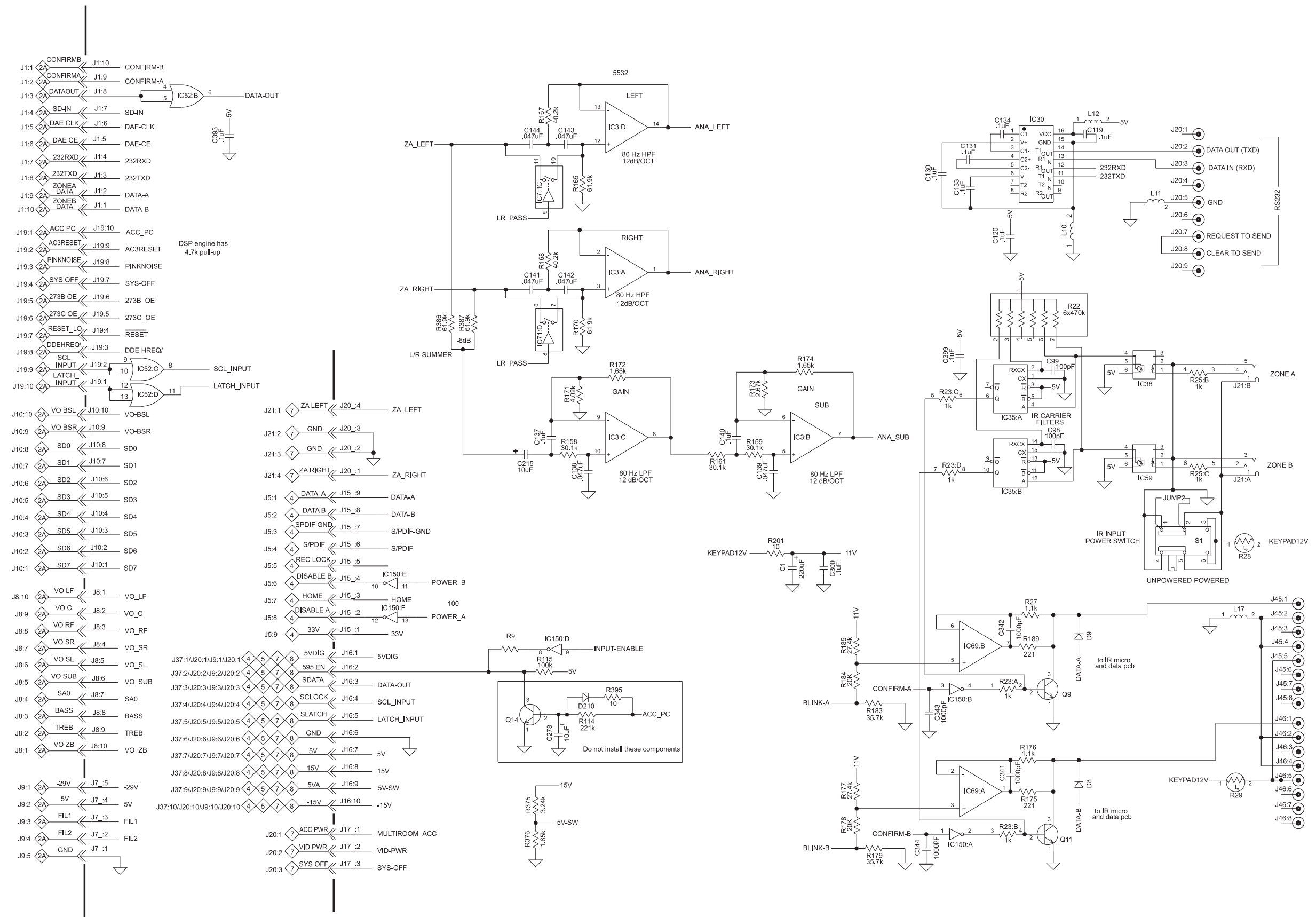


POWER TABLE

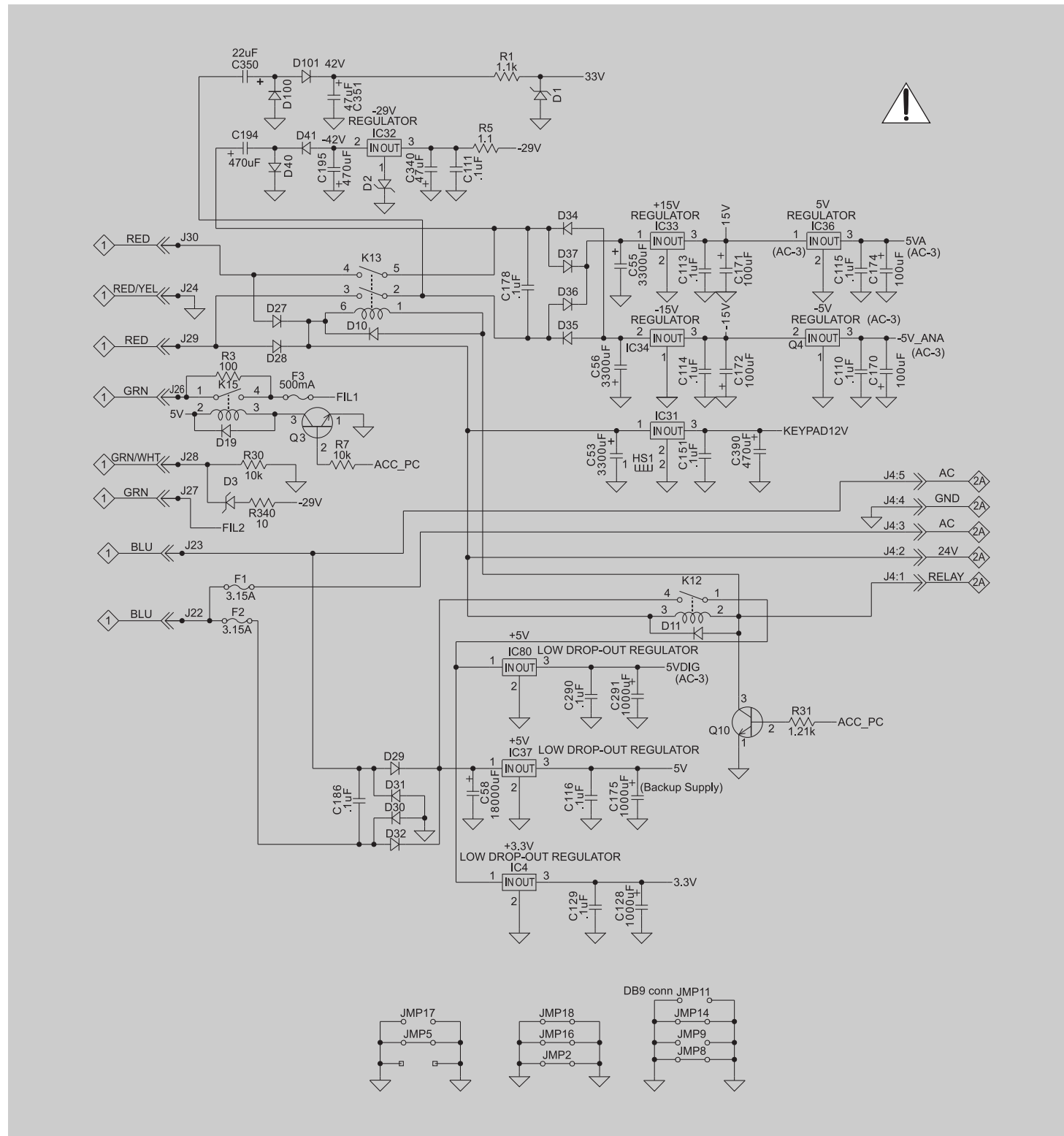
REF DES	DGND	5V-SW	15V	AGND	5V	11V	-15V
IC3	4					11	
IC25	4					11	
IC26	4					11	
IC27	4					11	
IC28	4					11	
IC35	8				16		
IC40	8					4	
IC41	8					4	
IC42	8					4	
IC43	8					4	
IC44	8					4	
IC45	8					4	
IC46	8					4	
IC48	7					14	
IC49	7					14	
IC51	7					14	
IC52	7					14	
IC55	4					11	
IC56	4					11	
IC59	4	12	13	5		8	4
IC71	4	12	13	5		8	4
IC73	4					11	
IC93	8					4	
IC94	8					4	
IC150	7					14	4



3 SURROUND 750570 SCH 5 OF 6

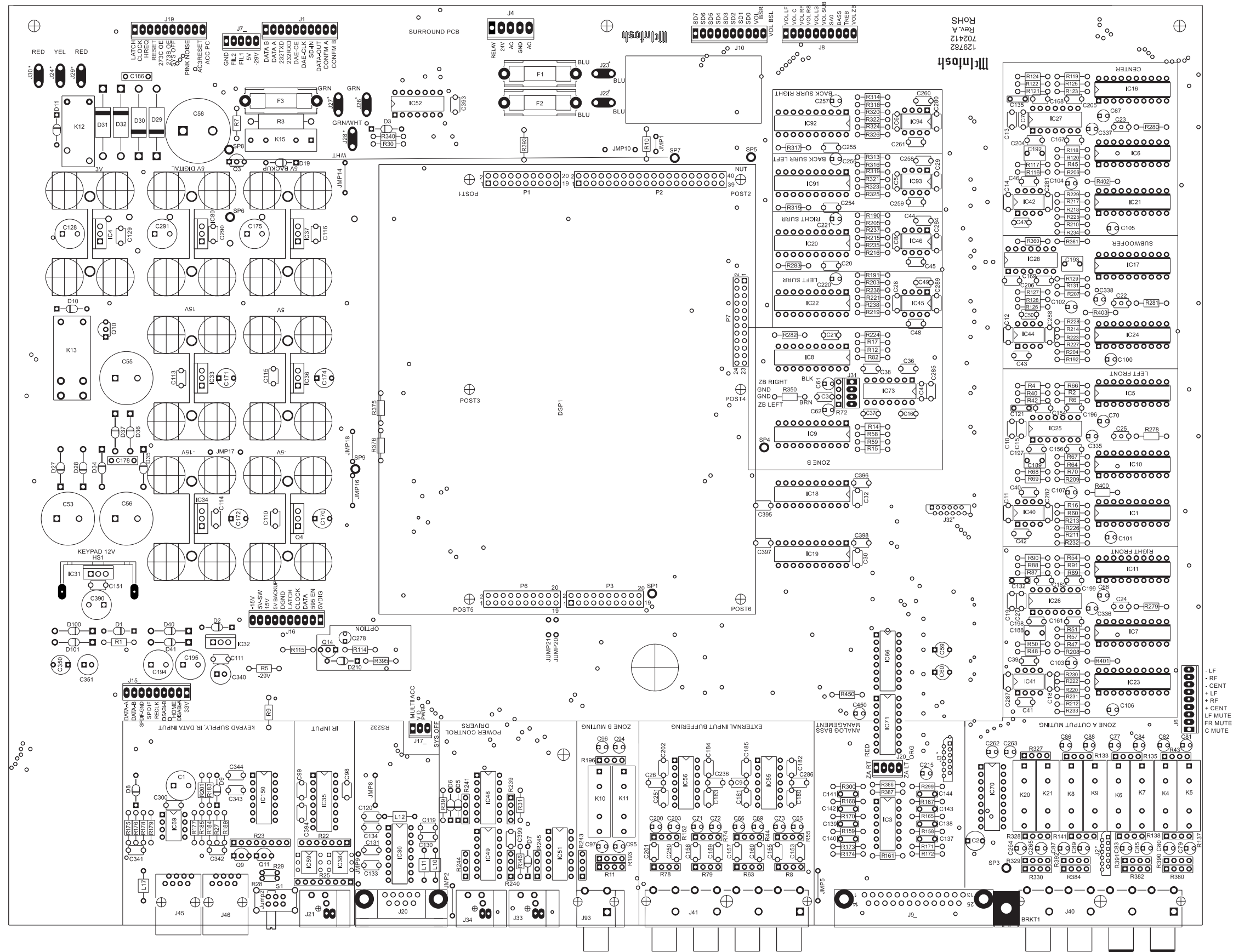


3 SURROUND 750570 SCH 6 OF 6



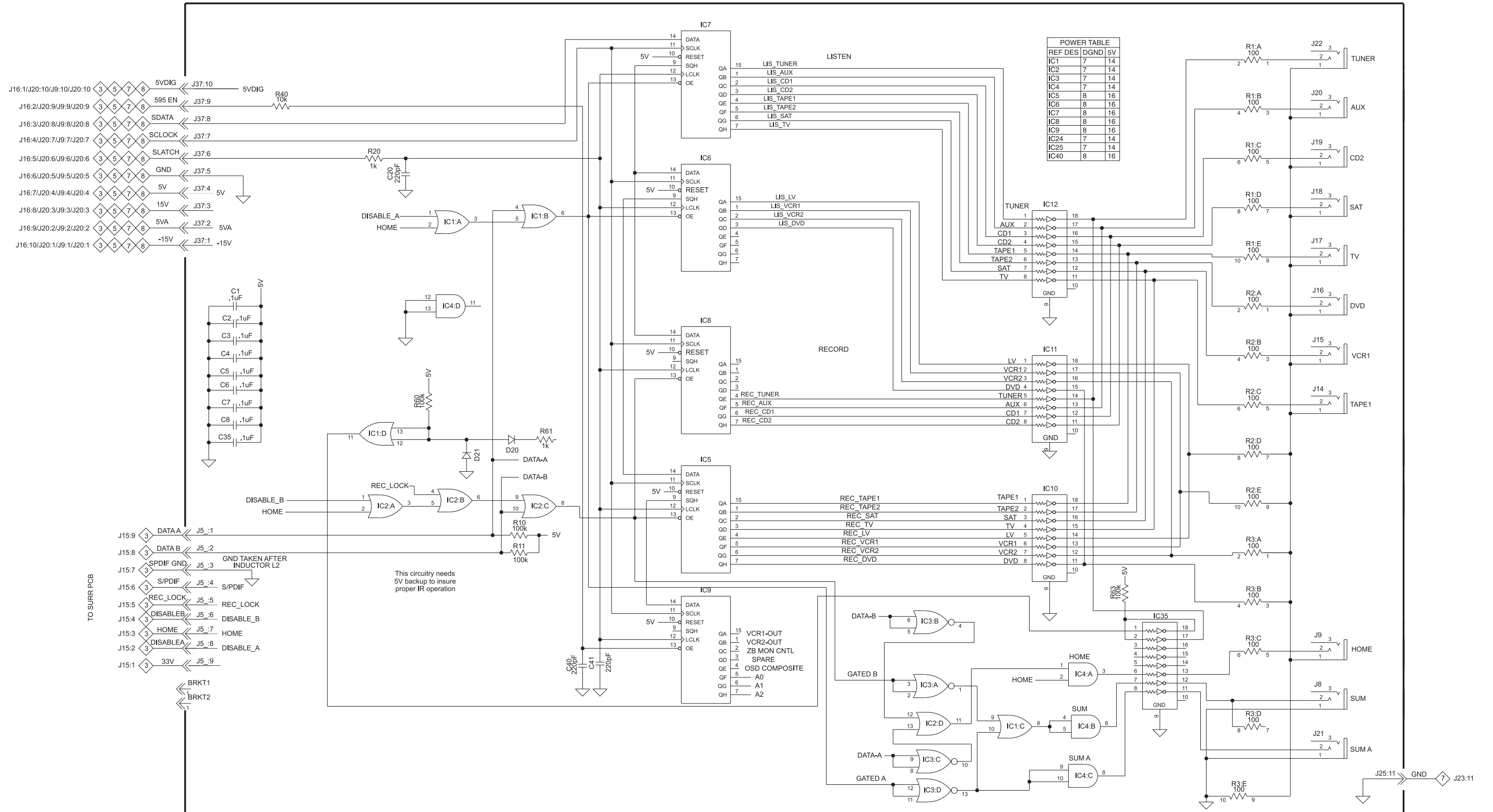
! WARNING Parts located in the shaded area have critical characteristics. Use only replacement parts recommended by the manufacturer.

3 SURROUND 750570 PCB

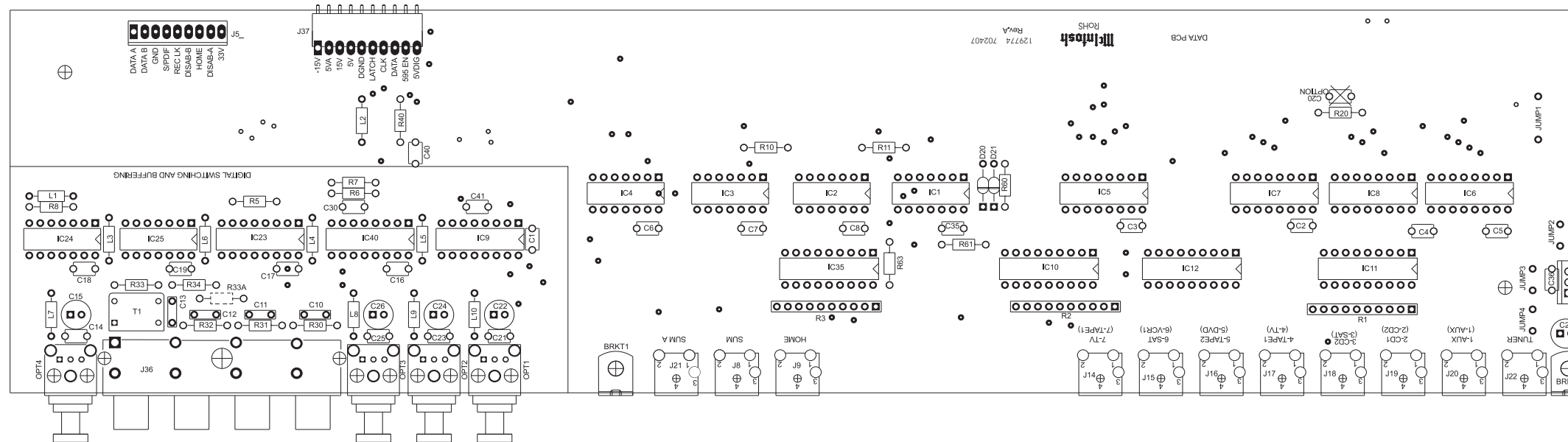
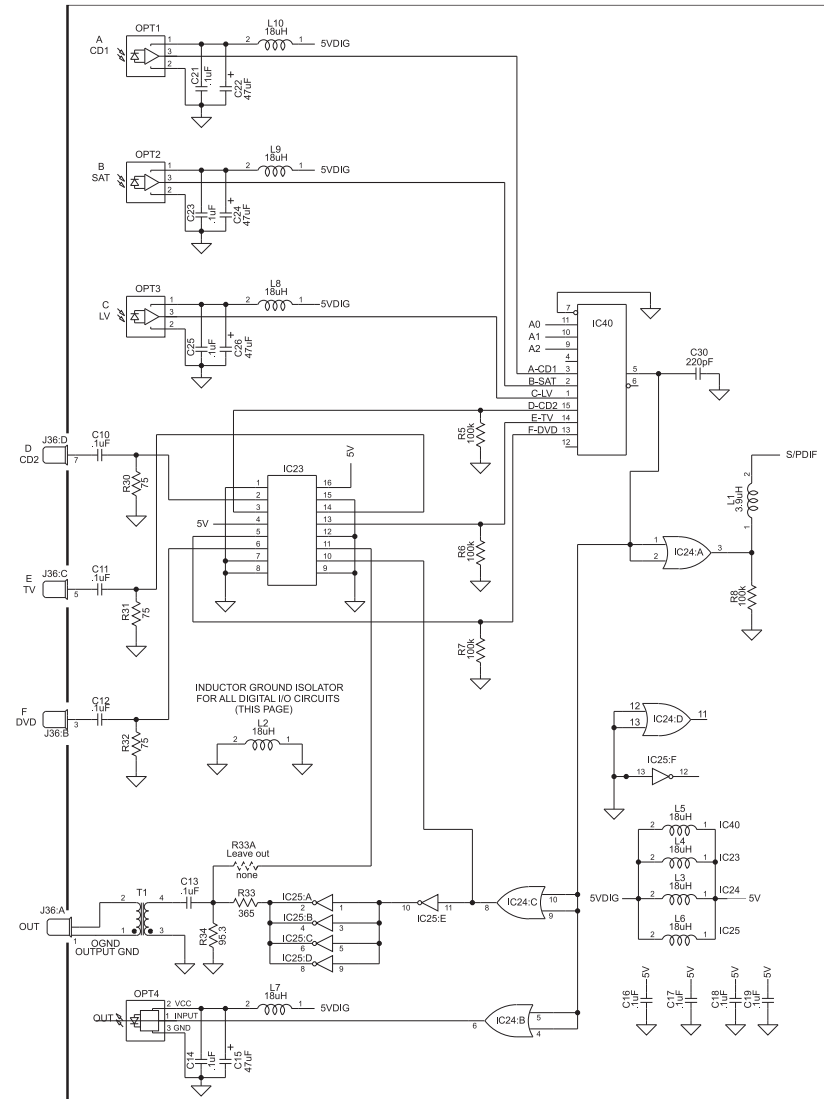


129782
Rev. A
702412
RoHS

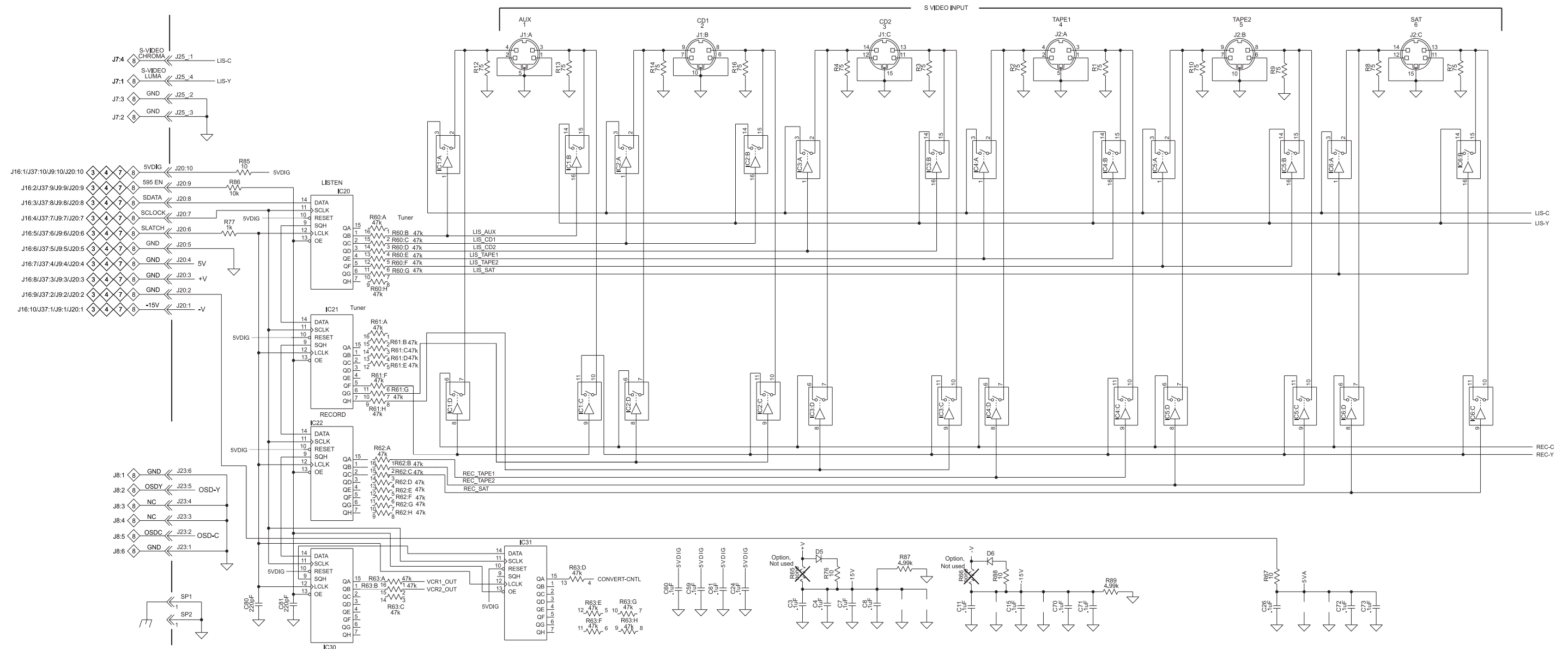
- LF
- RF
- CENT
+ LF
+ RF
+ CENT
LF MUTE
FR MUTE
C MUTE



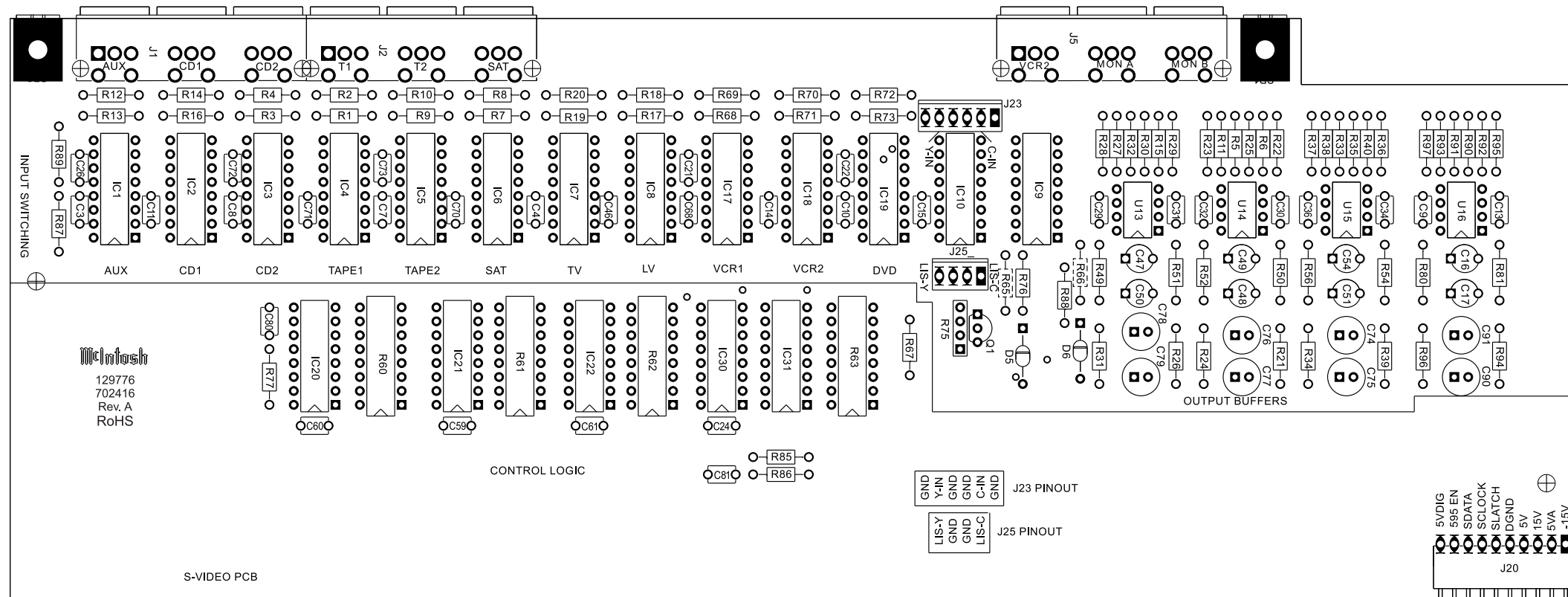
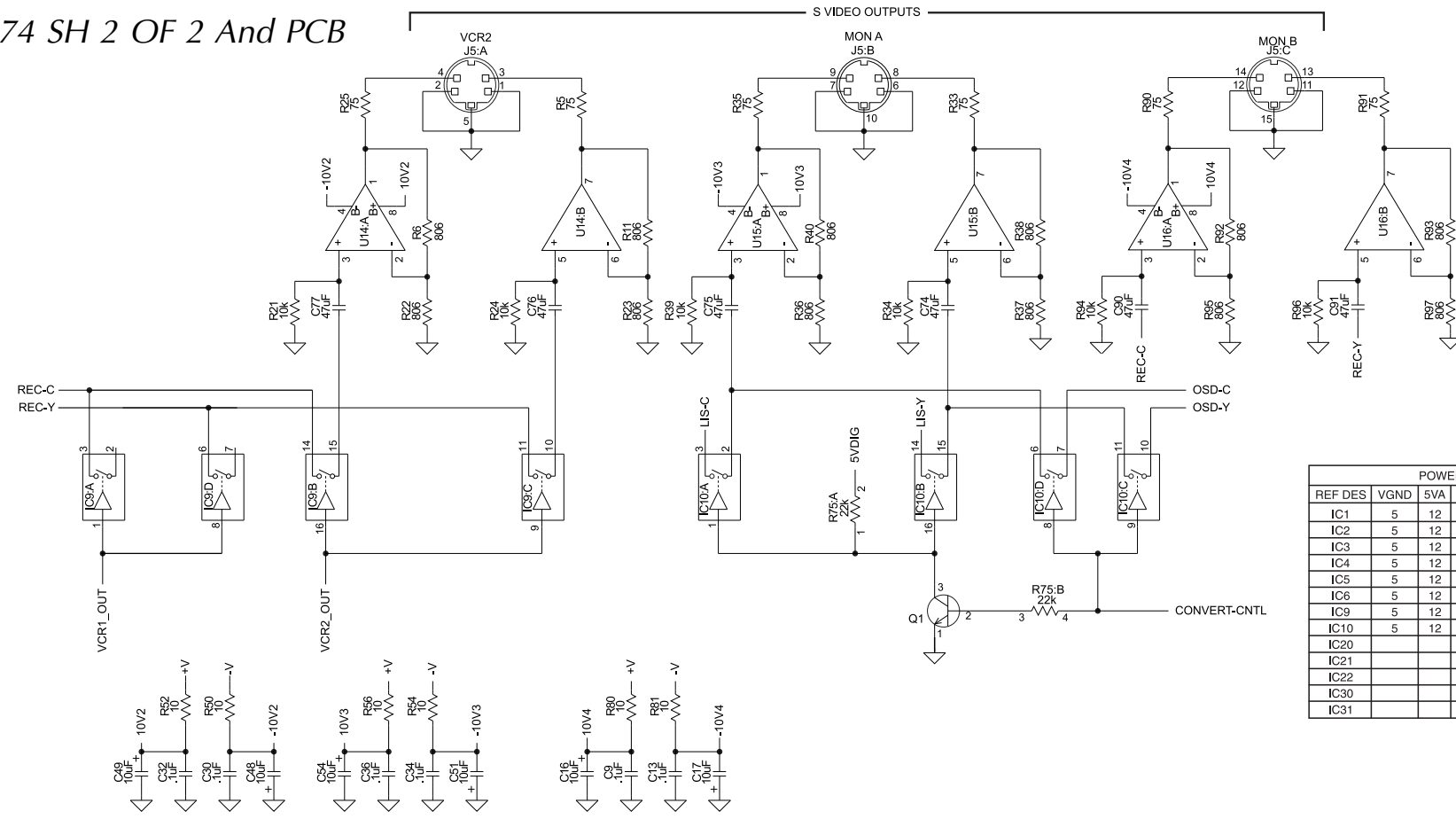
4 DATA 750572 SH 2 OF 2 And PCB



5 S-VIDEO 750574 SCH 1 OF 2

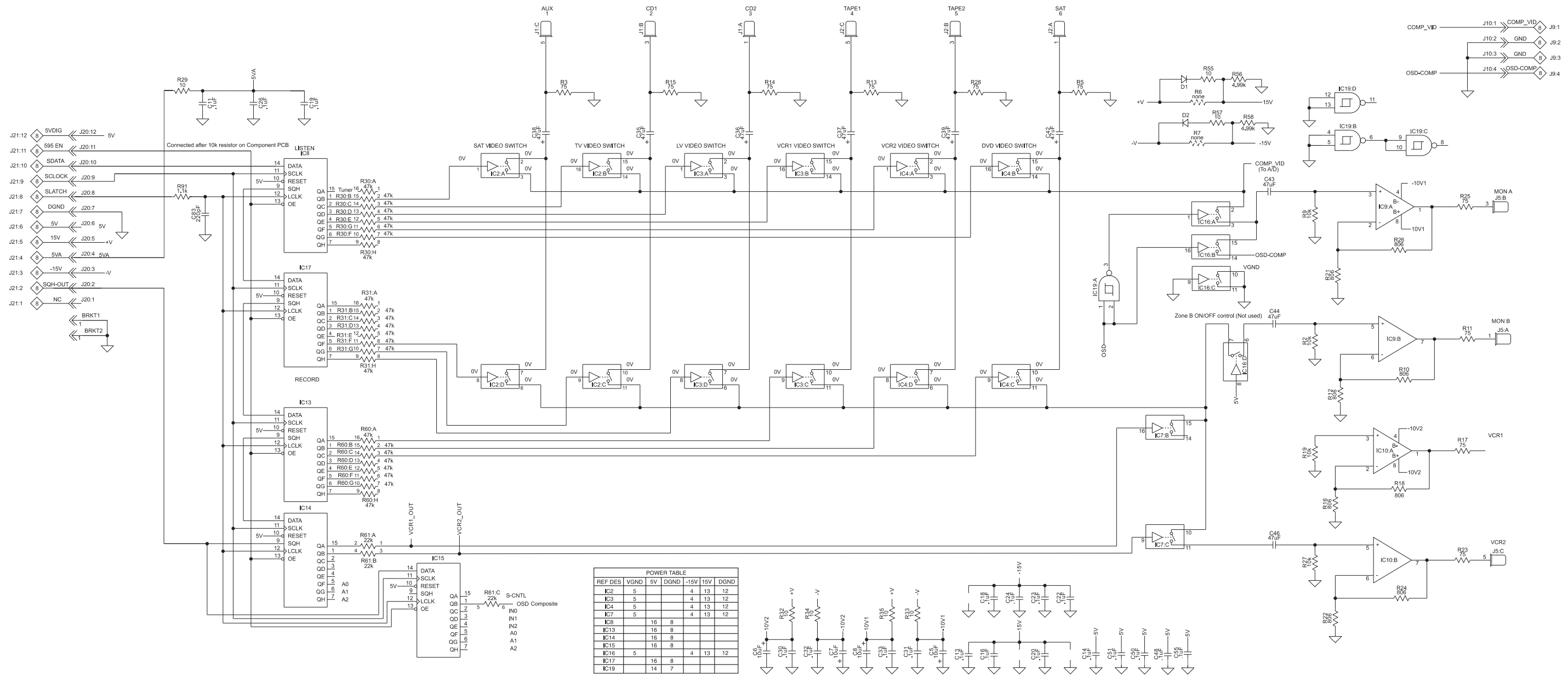


5 S-VIDEO 750574 SH 2 OF 2 And PCB

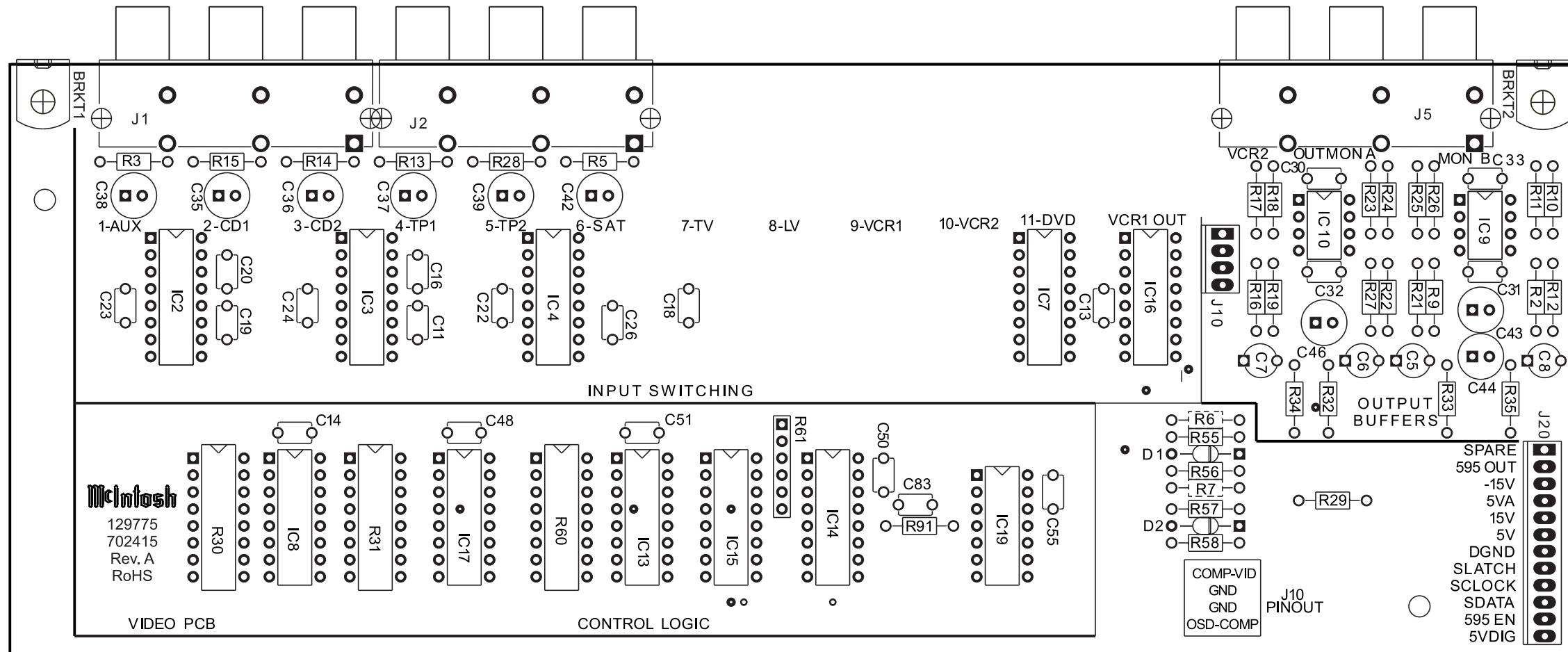


6 VIDEO 750573 SCH

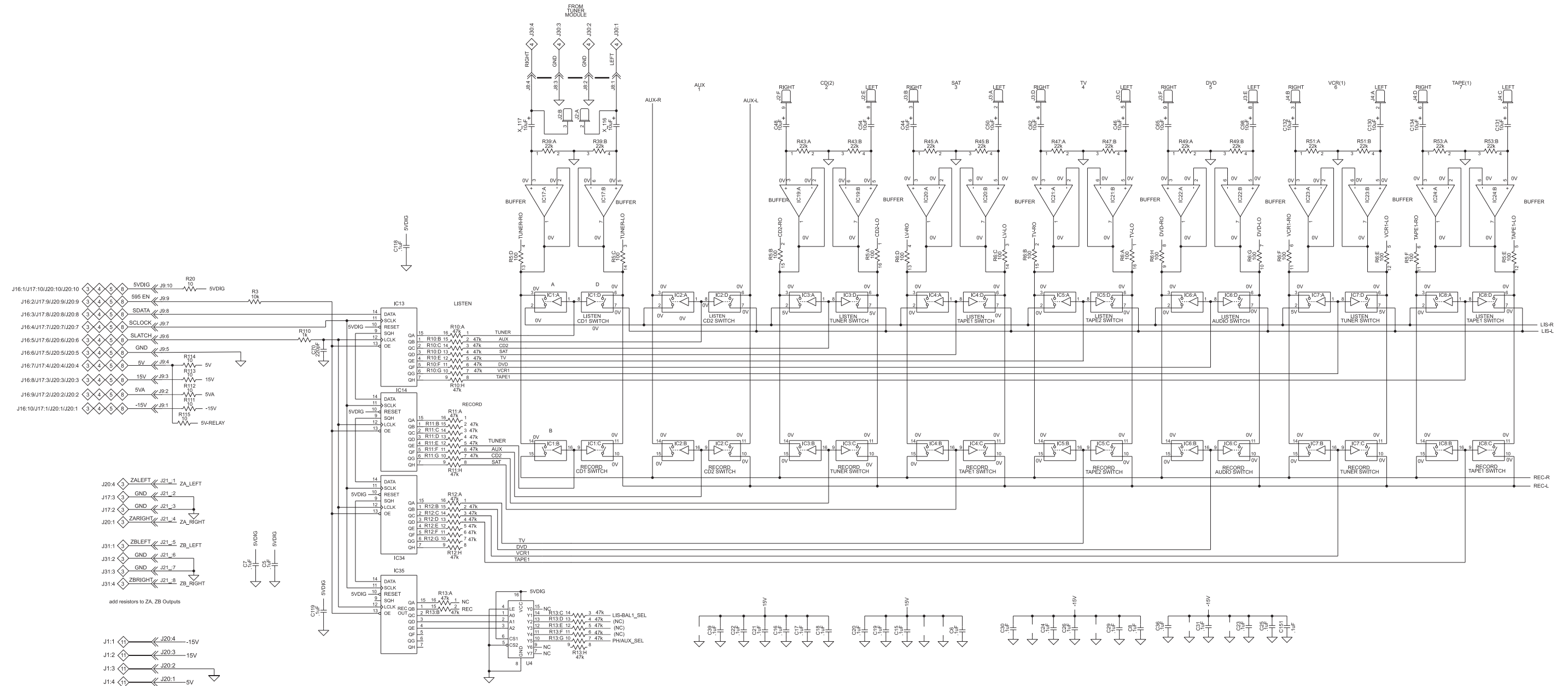
MX120



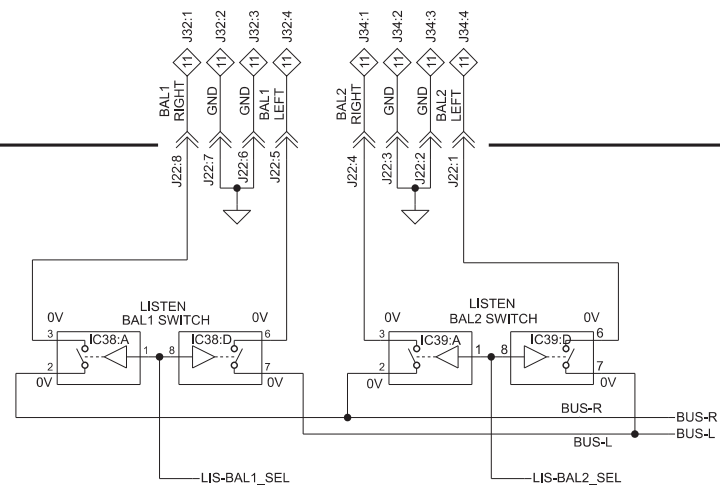
6 VIDEO 750573 PCB



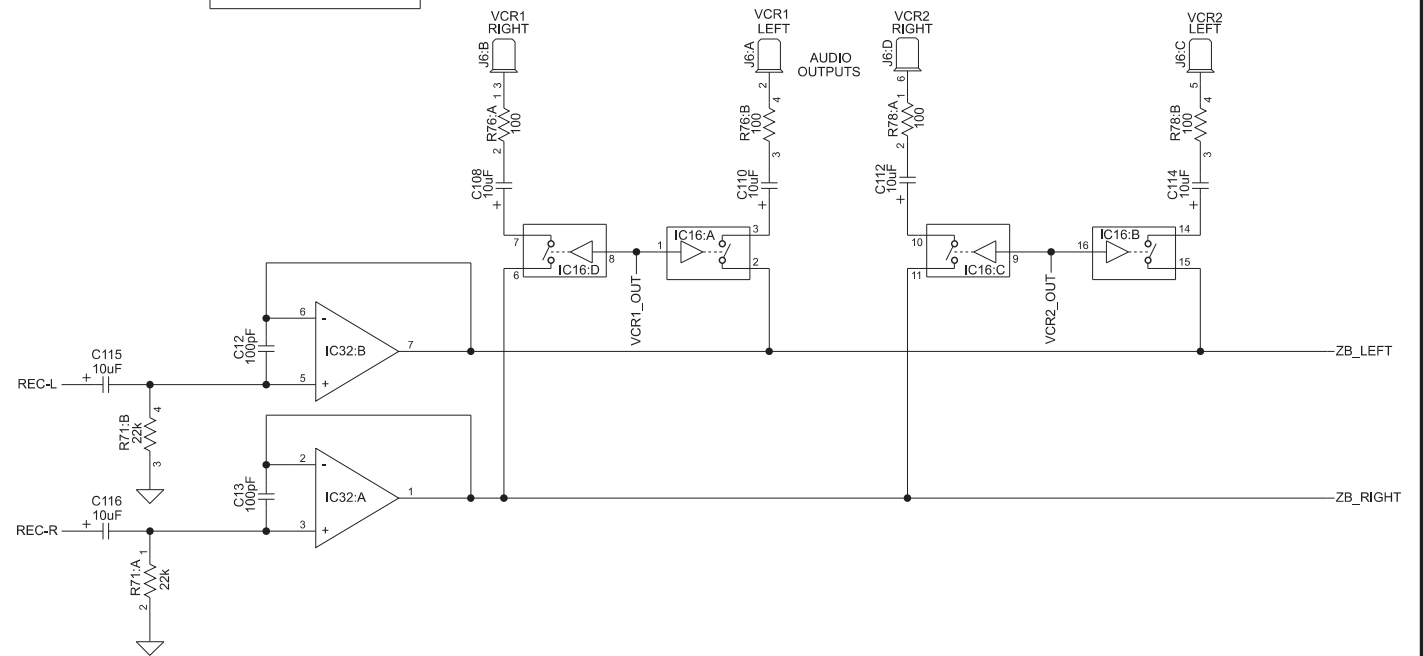
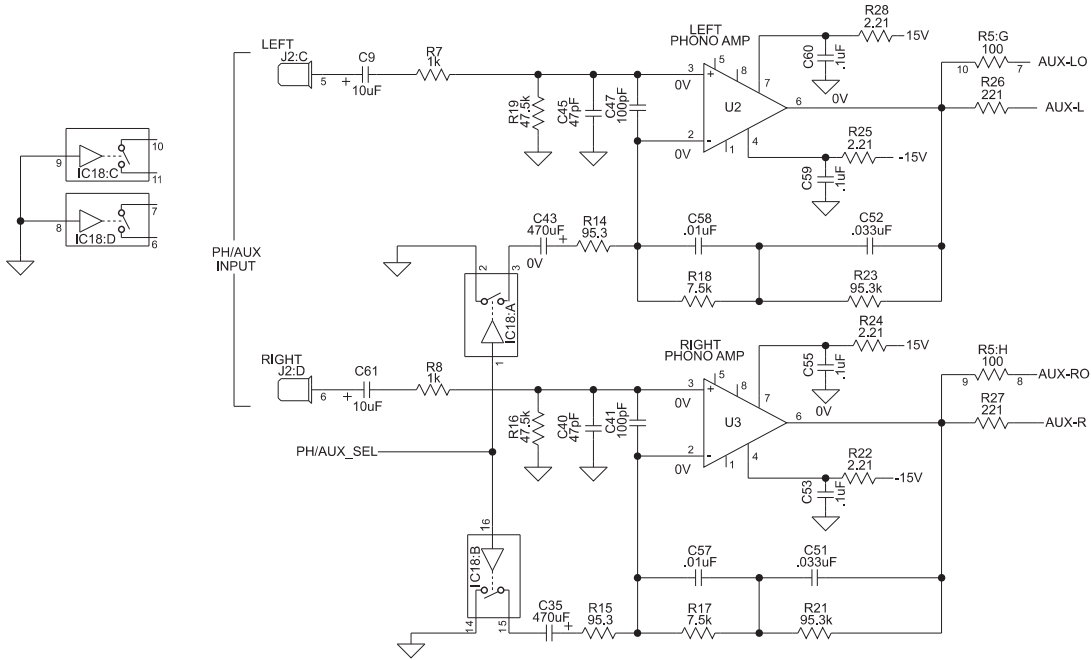
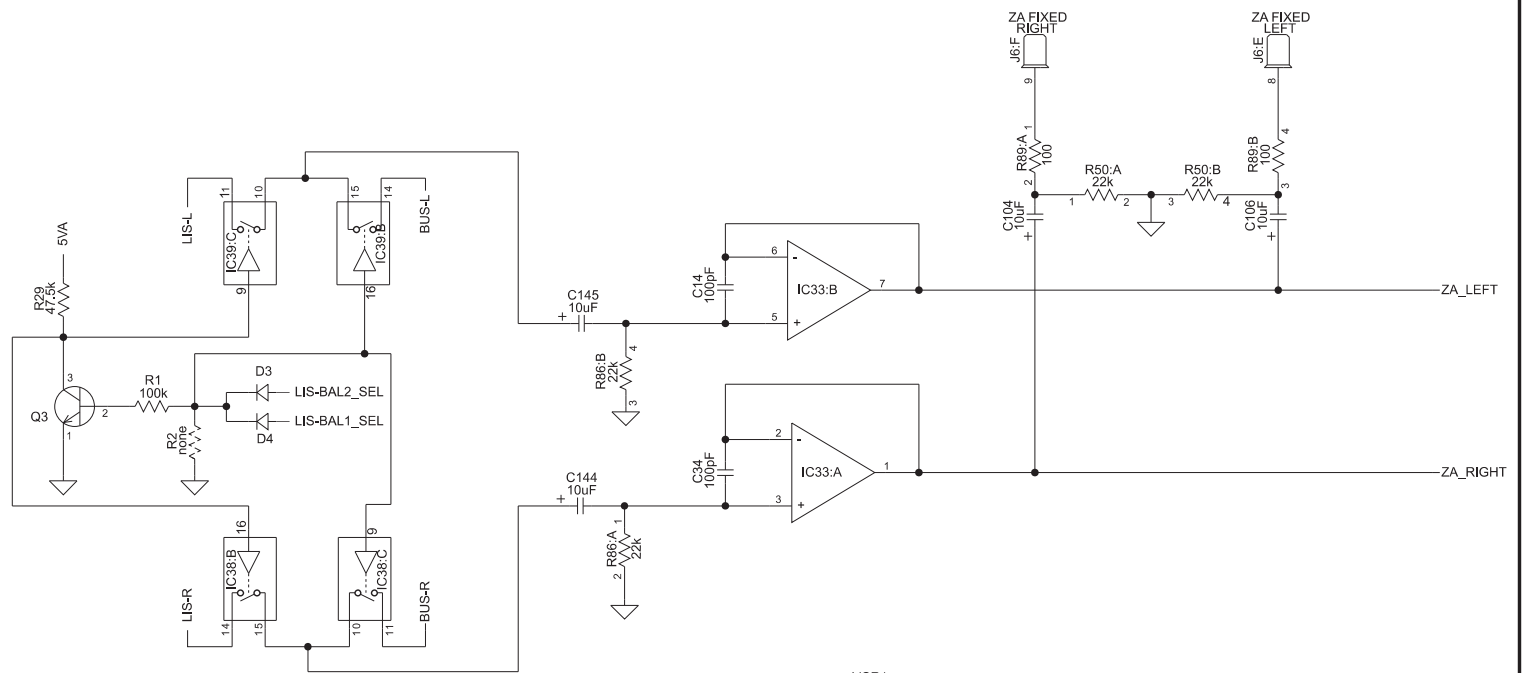
7 INPUT 750571 SCH 1 OF 2



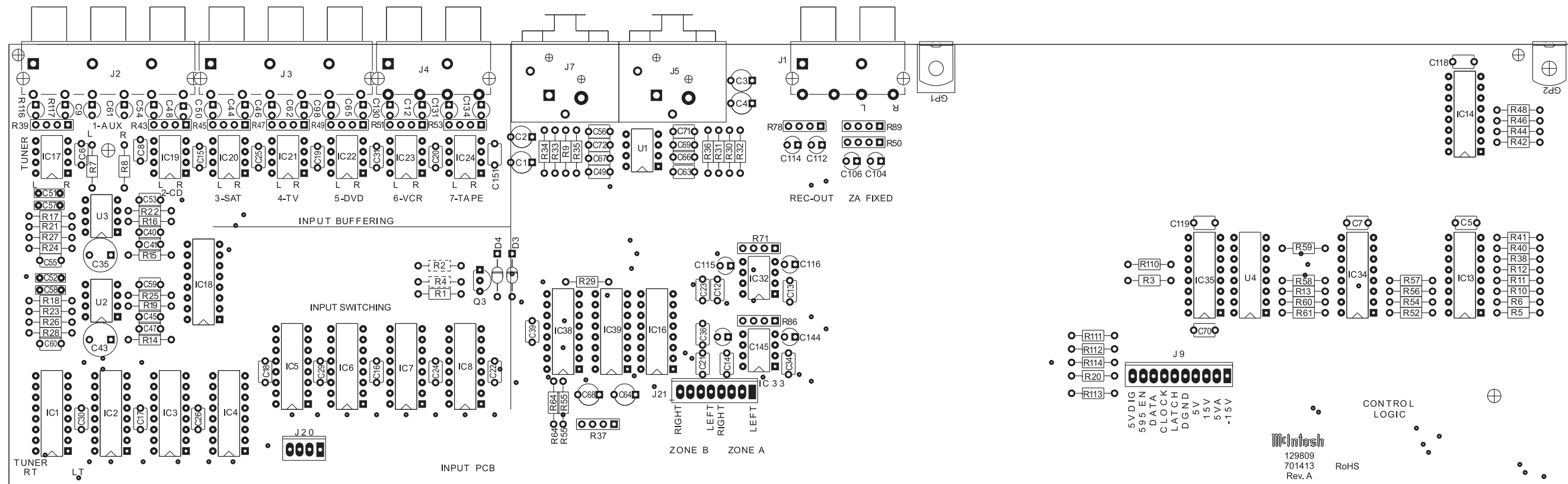
7 INPUT 750571 SCH 2 OF 2



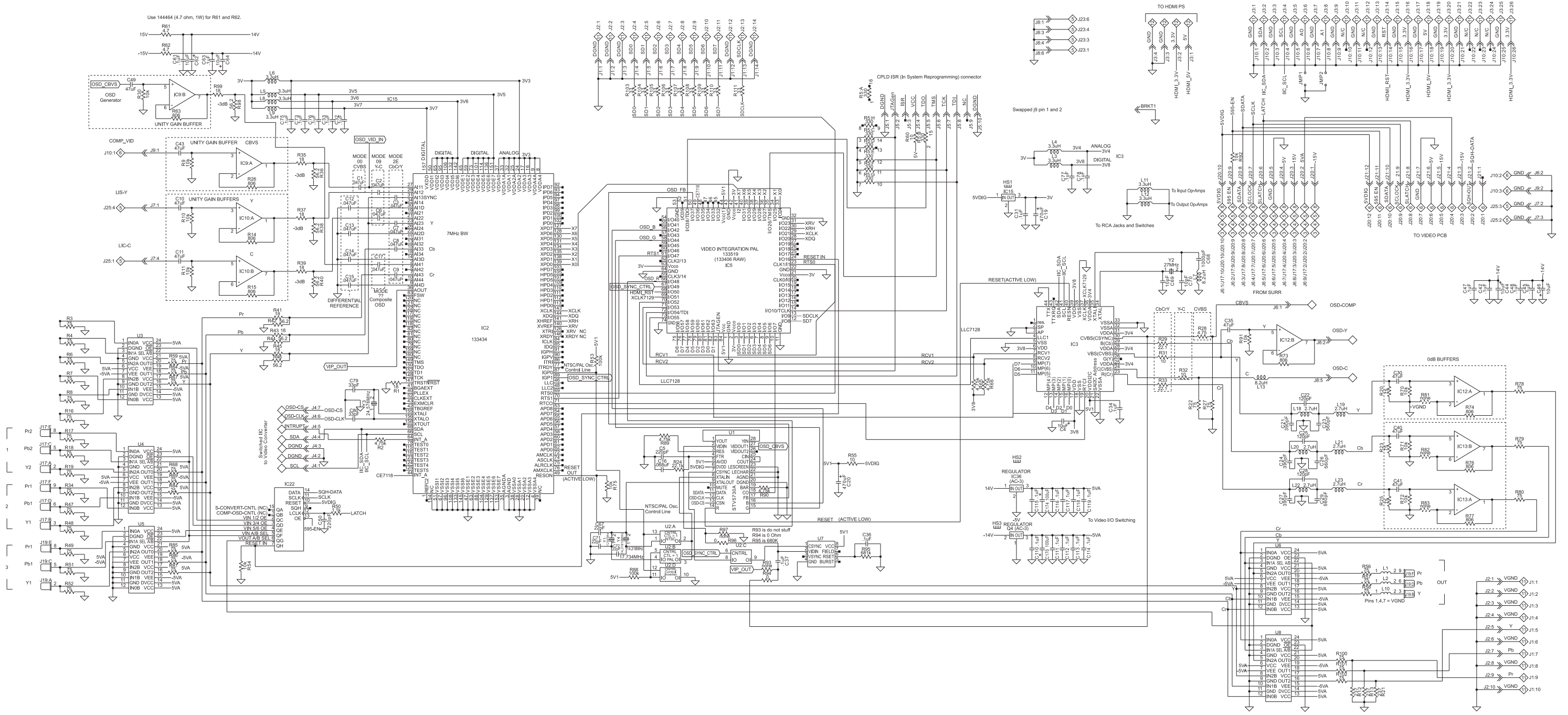
REF	DES	DGND	SVA	AGND	-15V	5V/DIG	15V
IC1		12	5	4	16	13	
IC2		12	5	4	16	13	
IC3		12	5	4	16	13	
IC4		12	5	4	16	13	
IC5		12	5	4	16	13	
IC6		12	5	4	16	13	
IC7		12	5	4	16	13	
IC8		12	5	4	16	13	
IC9		12	5	4	16	13	
IC10		12	5	4	16	13	
IC11		12	5	4	16	13	
IC12		12	5	4	16	13	
IC13		8					
IC14		8					
IC16		12	5	4	16	13	
IC17		4					
IC18		12	5	4	16	13	
IC19		4					
IC20		4					
IC21		4					
IC22		4					
IC23		4					
IC24		4					
IC25		4					
IC26		4					
IC27		4					
IC28		4					
IC32		4					
IC33		4					
IC34		8					
IC35		8					
IC38		12	5	4	16	13	
IC39		12	5	4	16	13	

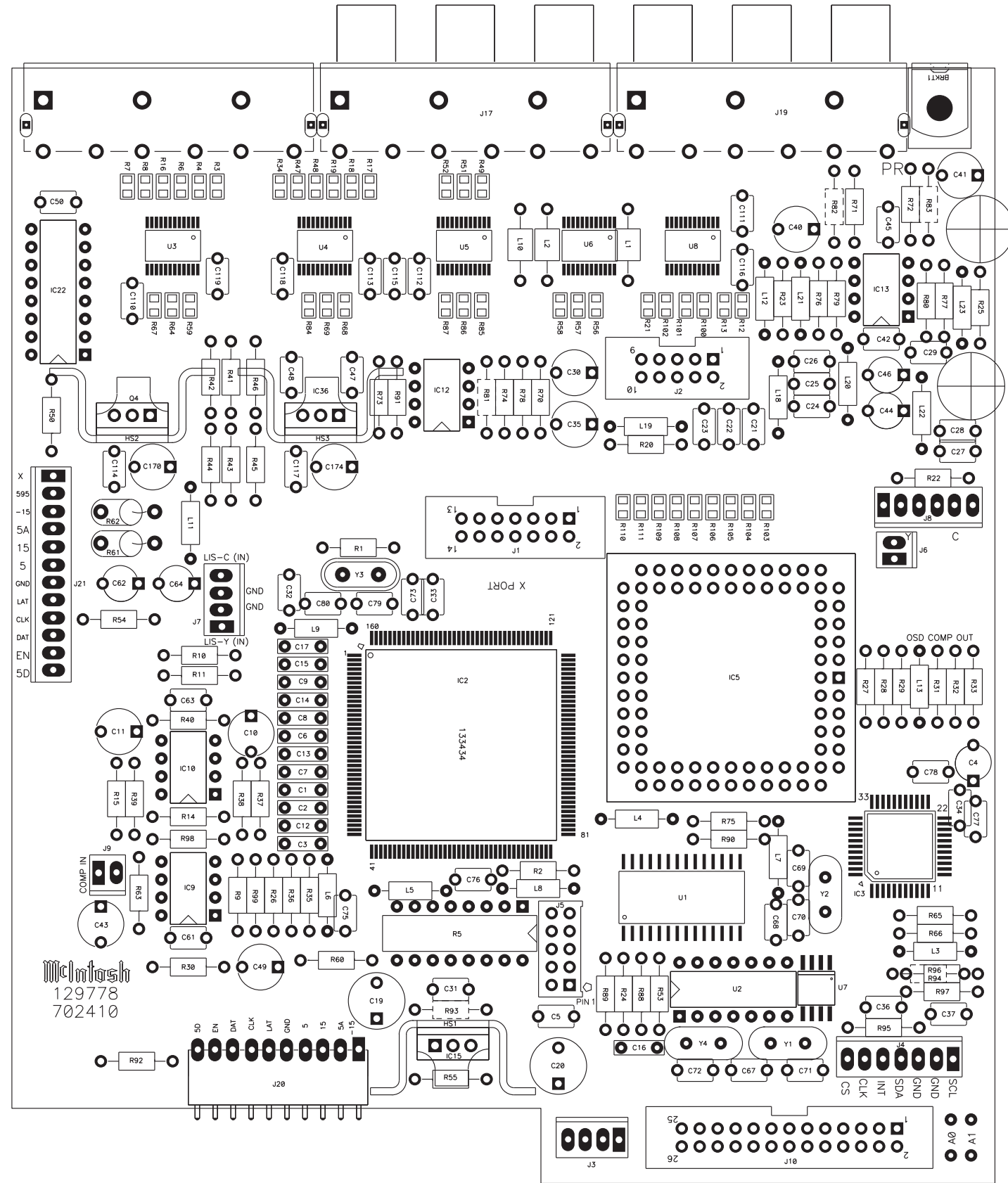


7 INPUT 750571 PCB

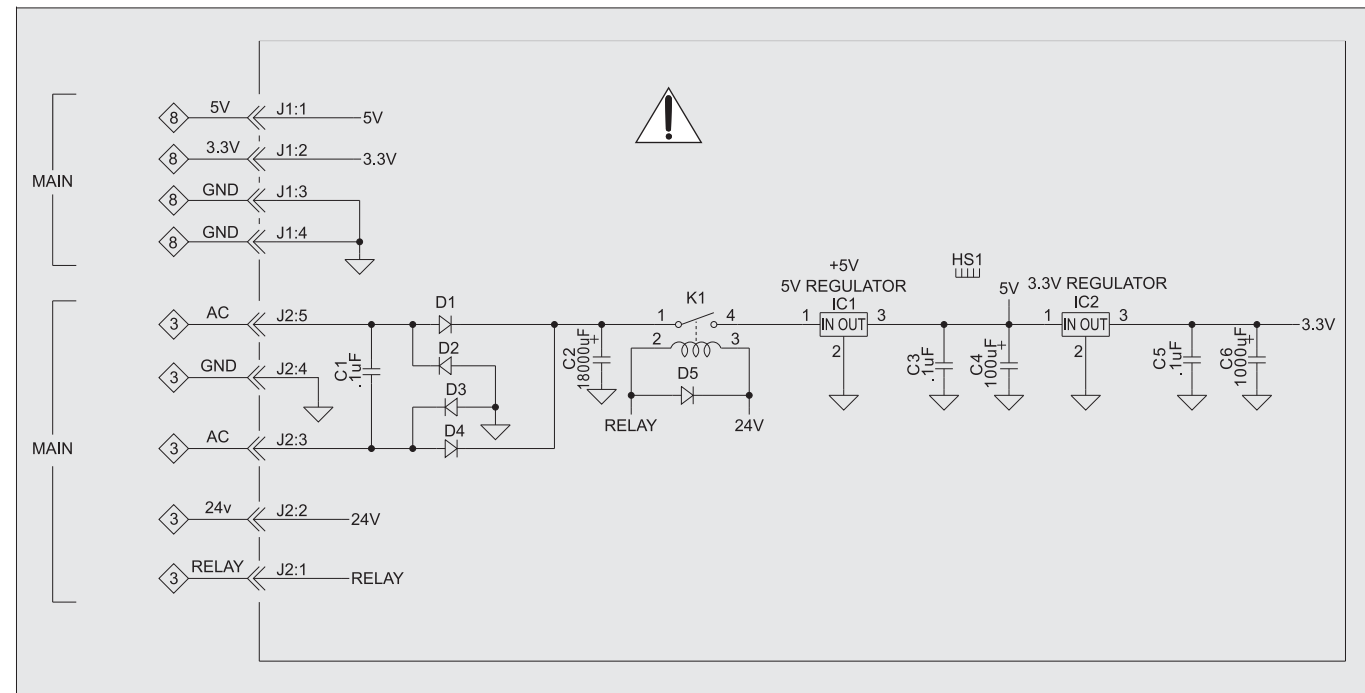


8 COMPONENT VIDEO 750576

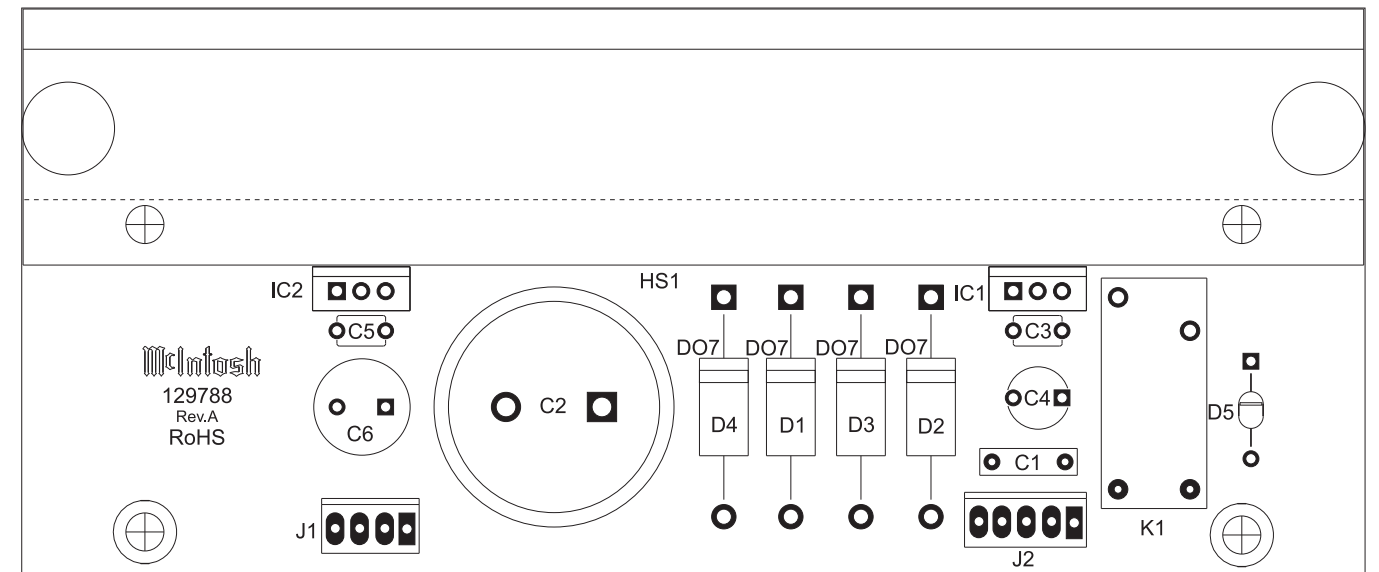




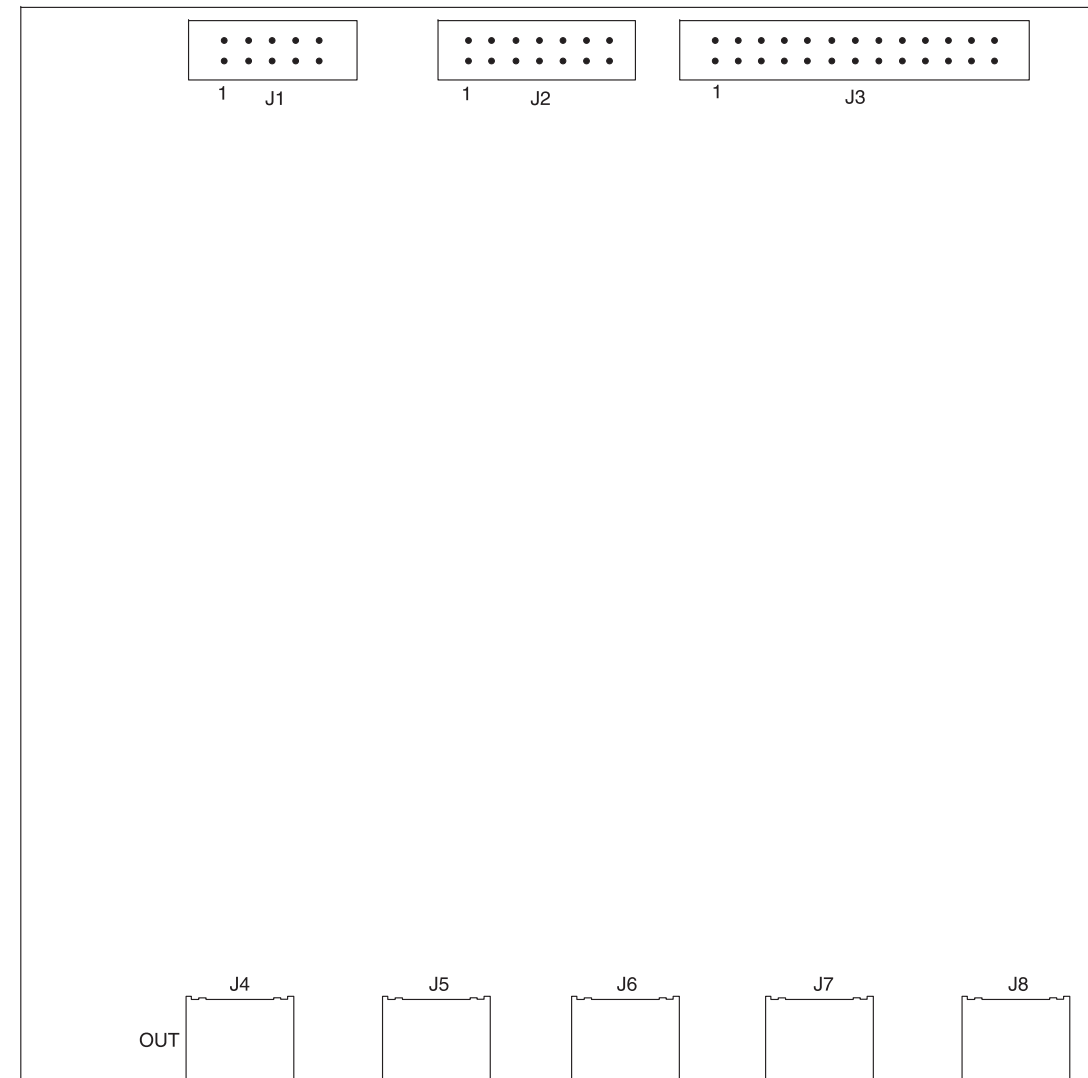
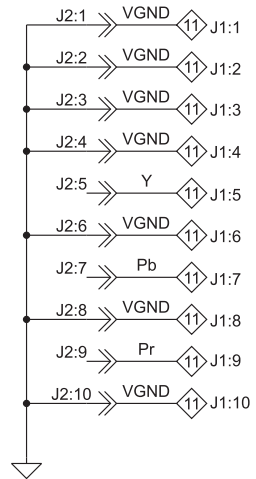
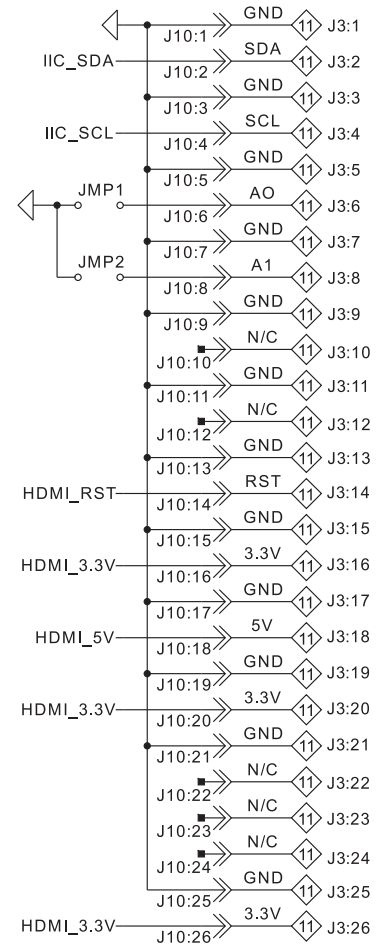
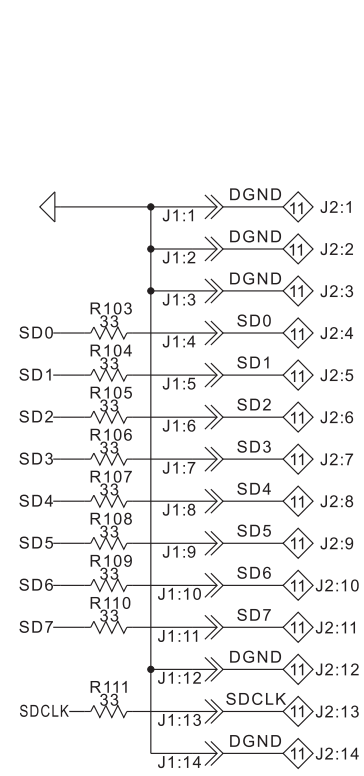
9 HDMI POWER SUPPLY 750599



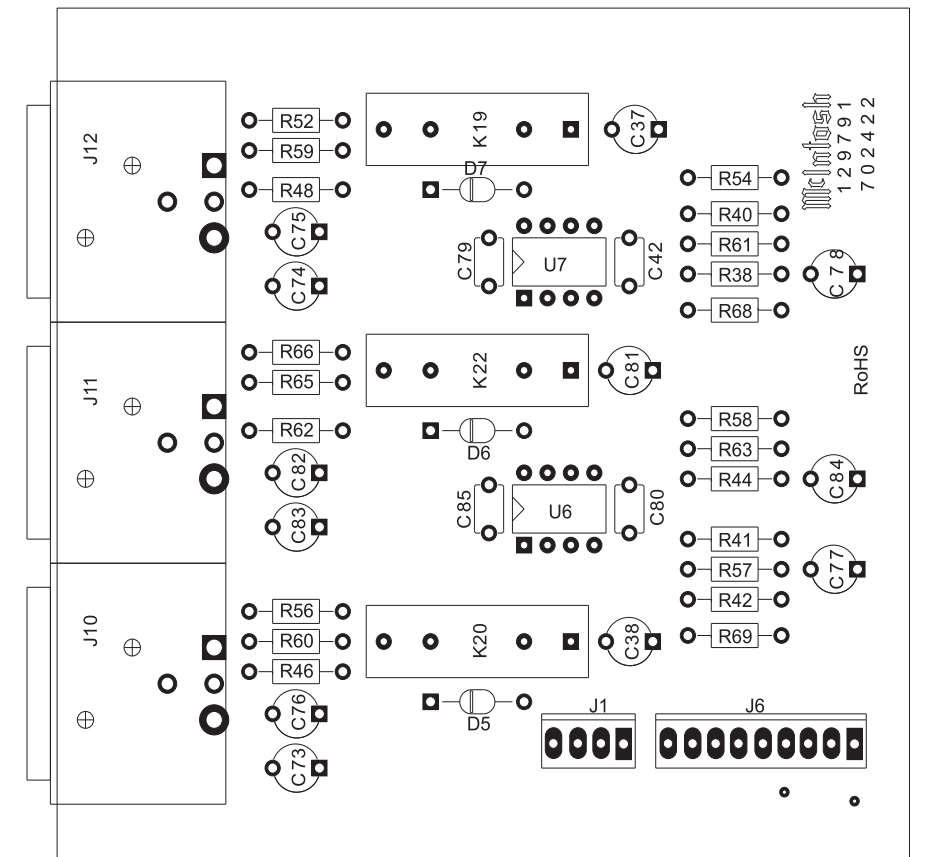
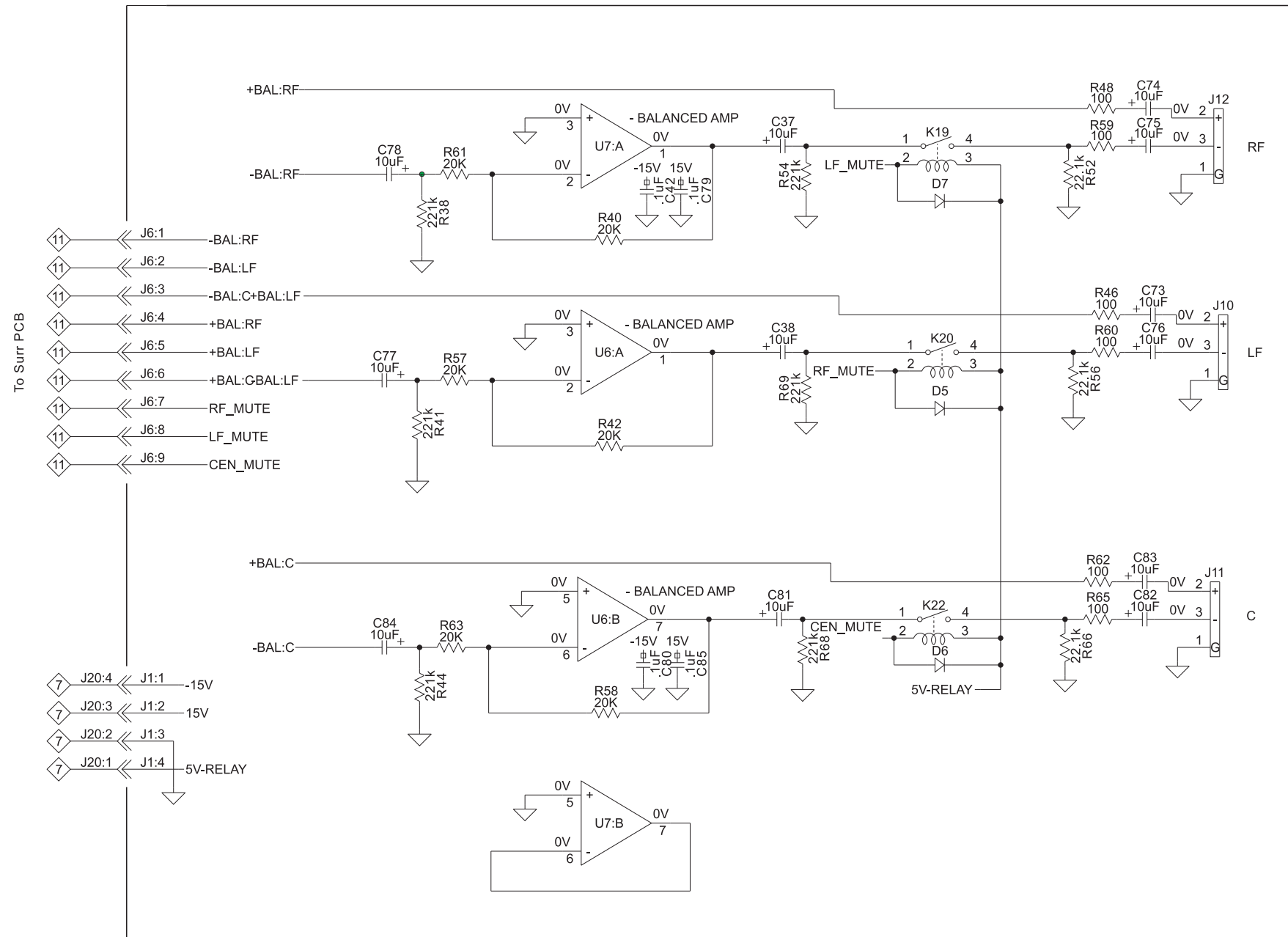
! **WARNING** Parts located in the shaded area have critical characteristics. Use only replacement parts recommended by the manufacturer.



10 HDMI MODULE 750623



11 BALANCED OUTPUT 750608



PARTS LIST

1 INTERCONNECT

Ref. No.	Description	Part No.
F1	FUSE, 800MA SLO-BLO 5 X 20	089141
TB1	AC TERMINAL BLOCK	074091
T1	TRANSFORMER R-CORE POWER	159340

2A

Ref. No.	Description	Part No.
C1	CAP MONO .01UF 50V 20% X7R	061345
C2	CAP ELECT 1UF 50V	066510
C14	CAP MONO 33PF 200V 5% NPO T/R	061347
C15	CAP MONO 33PF 200V 5% NPO T/R	061347
C25	CAP MONO .1UF 50V 20% Z5U	061346
C26	CAP MONO .1UF 50V 20% Z5U	061346
C27	CAP MONO .1UF 50V 20% Z5U	061346
C29	CAP MONO .1UF 50V 20% Z5U	061346
C31	CAP MONO .1UF 50V 20% Z5U	061346
C32	CAP MONO .1UF 50V 20% Z5U	061346
C33	CAP ELECT 10UF 16V	066580
C50	CAP ELECT 10UF 16V	066580
C51	CAP MONO .1UF 50V 20% Z5U	061346
C57	CAP MONO .1UF 50V 20% Z5U	061346
C58	CAP MONO .1UF 50V 20% Z5U	061346
C100	CAP MONO .1UF 50V 20% Z5U	061346
C170	CAP MONO 100PF 100V 10% NPO	061341
C200	CAP MONO .01UF 50V 20% X7R	061345
C201	CAP MONO .01UF 50V 20% X7R	061345
C204	CAP MONO .01UF 50V 20% X7R	061345
C205	CAP MONO .01UF 50V 20% X7R	061345
C206	CAP MONO .01UF 50V 20% X7R	061345
C207	CAP MONO .01UF 50V 20% X7R	061345
C210	CAP MONO .01UF 50V 20% X7R	061345
C211	CAP MONO .01UF 50V 20% X7R	061345
DS5	LED GRN 5MM HI-INTENSITY	058165
(DS5)	SPACER LED	112108
DS6	LED GRN 5MM HI-INTENSITY	058165
(DS6)	SPACER LED	112108
DS7	LED GRN 5MM HI-INTENSITY	058165
(DS7)	SPACER LED	112108
DS8	LED GRN 5MM HI-INTENSITY	058165
(DS8)	SPACER LED	112108
DS9	LED GRN 5MM HI-INTENSITY	058165
(DS9)	SPACER LED	112108
DS10	LED GRN 5MM HI-INTENSITY	058165
(DS10)	SPACER LED	112108
DS11	LED GRN 5MM HI-INTENSITY	058165
(DS11)	SPACER LED	112108
D300	DIODE SILICON	070174
D301	DIODE SILICON	070174
D302	DIODE SILICON	070174
IC4	IC OCTAL D TYPE FLIP FLOP	133603
IC5	IC QUAD ANALOG SWITCH HI SPEED	133342
IC6	IC OCTAL BUFFER 3-STATE	133349
IC7	IC OCTAL BUFFER 3-STATE	133349
IC10	IC QUAD ANALOG SWITCH HI SPEED	133342
IC11	IC SRAM	133659
(IC11)	SOCKET IC 28 PIN	178126
IC13	IC OCT 3-STT NONINVERTING	133654
IC14	IC PROGRAMMED MX120 133665	133664
(IC14)	SOCKET IC 32 PIN	178165
IC15	IC MICRO ROMLESS	133386
(IC15)	SOCKET IC 40-PIN	178133
IC17	IC QUAD ANALOG SWITCH HI SPEED	133342

Ref. No.	Description	Part No.
IC31	IC NAND SCHMIT 2-IN X 4	133595
IC32	IC NAND SCHMIT 2-IN X 4	133595
IC50	IC 8 BIT A/D SERIAL OUTPUT	133366
IC75	IC CPU SUPERVISOR	133639
IC20	IC PROG DISPLAY CONTROL 133660	133662
(IC20)	IC SOCKET 84 PIN PLCC	178185
J1	CONN MALE 10 POS	117219
J2	SOCKET STRIP 14 PIN .025 SQ	117644
J3	CONN MALE 7 PIN	117217
J5	CONN 10 PIN BOXED HEADER	117795
J7	SOCKET STRIP 14 PIN .025 SQ	117644
J8	CONN MALE 10 POS	117219
J9	SOCKET STRIP 14 PIN .025 SQ	117644
J9_	CONN MALE 5 PIN 0.1 POST ASSY	117216
J10	CONN MALE 10 POS	117219
J11	CONN 18 PIN FFC	117908
J12	SOCKET STRIP 14 PIN .025 SQ	117644
J19	CONN MALE 10 POS	117219
PCB1	PC BD DISPLAY	129839
Q1	TRANSISTOR NPN SILICON	132317
Q50	TRANSISTOR NPN SILICON	132317
R5	RES NETWORK 8 X 330 ISO	144679
R9	RES NETWORK 2 X 22K ISO	144689
R18	RES MF 100 OHM 1% 1/4W	144568
R19	RES MF 47.5 OHM 1% 1/4W	144642
R20	RES MF 100 OHM 1% 1/4W	144568
R21	RES MF 182 OHM 1% 1/4W	144579
R22	RES MF 182 OHM 1% 1/4W	144579
R23	RES MF 47.5 OHM 1% 1/4W	144642
R26	RES NETWORK 2 X 22K ISO	144689
R27	RES NETWORK 2 X 22K ISO	144689
R29	RES NETWORK 2 X 22K ISO	144689
R30	RES MF 10 OHM 1% 1/4W	144553
R31	RES MF 4.99K 1% 1/4W	144521
R32	RES MF 100 OHM 1% 1/4W	144568
R45	RES NETWORK 2 X 22K ISO	144689
R50	RES NETWORK 9 X 1K ISO	144685
R51	RES NETWORK 9 X 1K ISO	144685
R52	RES NETWORK 9 X 1K ISO	144685
R83	RES FP 10 OHM 5% 1/4W	137105
R100	RES MF 10K 1% 1/4W	144504
R101	RES MF 10K 1% 1/4W	144504
R102	RES NETWORK 4 X 22K BUSSED	144668
R105	RES MF 10K 1% 1/4W	144504
R131	RES NET 10K X 8 RES BUSSED	144675
R150	RES NETWORK 4 X 1K ISOLATED	144500
R151	RES NETWORK 4 X 1K ISOLATED	144500
R170	RES MF 4.99K 1% 1/4W	144521
R171	RES MF 4.99K 1% 1/4W	144521
R200	RES NETWORK 2 X 22K ISO	144689
R201	RES MF 47.5K 1% 1/4W	144526
R203	RES NETWORK 2 X 22K ISO	144689
R204	RES NETWORK 2 X 22K ISO	144689
R206	RES NETWORK 2 X 22K ISO	144689
R300	RES MF 47.5K 1% 1/4W	144526
TEST1	CONN 4 PIN	117215
U3	IC PROGRAMMED 133336 IR MICRO	133545
(U3)	SOCKET IC 20 PIN	178181
(IC6)	SOCKET IC 20 PIN	178181
(IC7)	SOCKET IC 20 PIN	178181

PARTS LIST Con't

DISPLAY PCB 750575 (Cont'd.)

Ref. No.	Description	Part No.
Y1	CRYSTAL 11.0592MHZ	180051
	CUTLIST	184121
	ASSY INSERTION PCB DISPLAY	702417

2B LED PCB 750577

C4	CAP MONO .1UF 50V 20% Z5U	061346
C5	CAP MONO .1UF 50V 20% Z5U	061346
C6	CAP MONO .1UF 50V 20% Z5U	061346
C10	CAP ELECT 47UF 35V	066446
C11	CAP MONO 1000PF 50V 10% NPO	061344
C12	CAP MONO .1UF 50V 20% Z5U	061346
C16	CAP MONO .1UF 50V 20% Z5U	061346
C17	CAP MONO 1000PF 50V 10% NPO	061344
C19	CAP ELECT 47UF 35V	066446
C20	CAP ELECT 47UF 35V	066446
C21	CAP ELECT 10UF 50V	066445
DS1	DISPLAY VFD 12 CHARACTER	058182
DS2	LED SQUARE RED	058109
DS3	LED SQUARE RED	058109
DS4	LED SQUARE RED	058109
DS5	LED SQUARE RED	058109
DS6	LED SQUARE RED	058109
DS7	LED SQUARE RED	058109
DS8	LED SQUARE RED	058109
DS9	LED SQUARE RED	058109
DS10	LED SQUARE RED	058109
DS11	LED SQUARE RED	058109
DS12	LED SQUARE RED	058109
DS13	LED SQUARE RED	058109
DS14	LED SQUARE RED	058109
DS15	LED SQUARE RED	058109
DS16	LED SQUARE RED	058109
DS17	LED SQUARE RED	058109
DS34	LED ARRAY(5) YELLOW RECTANGLE	058127
(DS34)	CONN SOCKET SIP 10 PIN	117876
DS38	LED ARRAY(5) YELLOW RECTANGLE	058127
(DS38)	CONN SOCKET SIP 10 PIN	117876
DS41	LED ARRAY(5) YELLOW RECTANGLE	058127
(DS41)	CONN SOCKET SIP 10 PIN	117876
DS42	LED ARRAY(5) YELLOW RECTANGLE	058127
(DS42)	CONN SOCKET SIP 10 PIN	117876
DS43	LED ARRAY(5) YELLOW RECTANGLE	058127
(DS43)	CONN SOCKET SIP 10 PIN	117876
DS44	LED ARRAY(5) YELLOW RECTANGLE	058127
(DS44)	CONN SOCKET SIP 10 PIN	117876
DS45	LED ARRAY(5) YELLOW RECTANGLE	058127
(DS45)	CONN SOCKET SIP 10 PIN	117876
DS46	LED ARRAY(5) YELLOW RECTANGLE	058127
(DS46)	CONN SOCKET SIP 10 PIN	117876
IC2	IC VFD DISPLAY DRIVER	133549
(IC2)	SOCKET IC 40-PIN	178133
IC3	IC DISPLAY DRIVER 4 DIGIT LED	133663
(IC3)	SOCKET IC 40-PIN	178133
IC12	IC DISPLAY DRIVER 4 DIGIT LED	133663
(IC12)	SOCKET IC 40-PIN	178133
J2	TERMINAL STRIP 14 PIN .025 SQ	117647
J7	TERMINAL STRIP 14 PIN .025 SQ	117647
J9	TERMINAL STRIP 14 PIN .025 SQ	117647
J12	TERMINAL STRIP 14 PIN .025 SQ	117647

Ref. No.	Description	Part No.
MOLD1	MOLD FUNCTION LED	017865
MOLD3	MOLD LED INDICATOR	017866
MOLD4	MOLD FUNCTION LED	017865
MOLD5	MOLD FUNCTION LED	017865
MOLD6	MOLD FUNCTION LED	017865
MOLD7	MOLD FUNCTION LED	017865
MOLD8	MOLD FUNCTION LED	017865
MOLD9	MOLD FUNCTION LED	017865
MOLD10	MOLD FUNCTION LED	017865
MOLD11	MOLD LED INDICATOR	017866
MOLD12	MOLD LED INDICATOR	017866
MOLD13	MOLD LED INDICATOR	017866
PCB1	PC BD LED	129786
	PC BD SWITCH	129787
Q2	TRANSISTOR PNP SILICON	132304
R1	RES MF 47.5K 1% 1/4W	144526
R6	RES MF 3.32K 1% 1/4W	144518
R8	RES MF 10 OHM 1% 1/4W	144553
R10	RES NETWORK 5 X 47K BUSSED	144499
R12	RES NETWORK 9 X 47K BUSSED	144673
R13	RES NETWORK 9 X 47K BUSSED	144673
R14	RES NETWORK 9 X 47K BUSSED	144673
R15	RES MF 4.99K 1% 1/4W	144521
R18	RES MF 4.99K 1% 1/4W	144521
R25	RES FP 47 OHM 5% 1/4W	137106
S21	SWITCH ROT ENCODER 24 DETENT	146255
S22	SWITCH ROT ENCODER 24 DETENT	146255
S24	SWITCH ROT ENCODER 24 DETENT	146255
S25	SWITCH ROT ENCODER NO DETENT	146256
	ASSY INSERTION PCB LED	702421
	DOUBLE COATED MTG-TAPE 1/16 TK	094409

2C KEYBOARD PCB 750568

C13	CAP MONO .1UF 50V 20% Z5U	061346
C24	CAP ELECT 47UF 35V	066446
DS11	LED SQUARE RED	058109
(DS11)	LED SPACER .220 LENGTH	163001
DS12	LED SQUARE RED	058109
(DS12)	LED SPACER .220 LENGTH	163001
DS36	LED SQUARE RED	058109
(DS36)	LED SPACER .220 LENGTH	163001
J2	CONN 18 PIN FFC	117908
R16	RES MF 100 OHM 1% 1/4W	144568
R17	RES MF 332 OHM 1% 1/4W	144646
S1	SWITCH TACT	150059
S2	SWITCH TACT	150059
S5	SWITCH TACT	150058
S7	SWITCH TACT	150058
S9	SWITCH TACT	150058
S10	SWITCH TACT	150058
S11	SWITCH TACT	150058
S12	SWITCH TACT	150058
S13	SWITCH TACT	150058
S14	SWITCH TACT	150058
S15	SWITCH TACT	150058
S16	SWITCH TACT	150058
S17	SWITCH SLIDE DPDT	148076
SENSOR	SENSOR IR 38KHZ	121046
	SHRINK TUBING 3/8" LONG (077041)	077054
	PC BD KEYBOARD	129780

PARTS LIST Con't

3 SURROUND PCB 750570

Ref. No.	Description	Part No.	Ref. No.	Description	Part No.
BRKT1	BRACKET PCB CARD MOUNTING	003611	C71	CAP ELECT 10UF 16V	066580
C1	CAP ELECT 220UF 50V 20%	066254	C72	CAP ELECT 10UF 16V	066580
C2	CAP ELECT 100UF 25V	066573	C73	CAP ELECT 10UF 16V	066580
C3	CAP MONO .1UF 50V 20% Z5U	061346	C77	CAP ELECT 10UF 16V	066580
C4	CAP MONO .1UF 50V 20% Z5U	061346	C79	CAP ELECT 10UF 16V	066580
C5	CAP MONO .1UF 50V 20% Z5U	061346	C80	CAP ELECT 10UF 16V	066580
C6	CAP MONO .1UF 50V 20% Z5U	061346	C81	CAP ELECT 10UF 16V	066580
C7	CAP MONO .1UF 50V 20% Z5U	061346	C82	CAP ELECT 10UF 16V	066580
C8	CAP MONO .1UF 50V 20% Z5U	061346	C83	CAP ELECT 10UF 16V	066580
C9	CAP MONO .1UF 50V 20% Z5U	061346	C84	CAP ELECT 10UF 16V	066580
C10	CAP MONO .1UF 50V 20% Z5U	061346	C85	CAP ELECT 10UF 16V	066580
C11	CAP MONO .1UF 50V 20% Z5U	061346	C86	CAP ELECT 10UF 16V	066580
C12	CAP MONO .1UF 50V 20% Z5U	061346	C87	CAP ELECT 10UF 16V	066580
C13	CAP MONO .1UF 50V 20% Z5U	061346	C88	CAP ELECT 10UF 16V	066580
C14	CAP MONO .1UF 50V 20% Z5U	061346	C89	CAP ELECT 10UF 16V	066580
C15	CAP MONO .1UF 50V 20% Z5U	061346	C94	CAP ELECT 10UF 16V	066580
C16	CAP MONO 22PF 200V 10% NPO	061339	C95	CAP ELECT 10UF 16V	066580
C18	CAP MONO .1UF 50V 20% Z5U	061346	C96	CAP ELECT 10UF 16V	066580
C19	CAP MONO .1UF 50V 20% Z5U	061346	C97	CAP ELECT 10UF 16V	066580
C20	CAP MONO .1UF 50V 20% Z5U	061346	C98	CAP MONO 100PF 100V 10% NPO	061341
C21	CAP MONO .1UF 50V 20% Z5U	061346	C99	CAP MONO 100PF 100V 10% NPO	061341
C22	CAP MONO .1UF 50V 20% Z5U	061346	C100	CAP ELECT 10UF 16V	066580
C23	CAP MONO .1UF 50V 20% Z5U	061346	C101	CAP ELECT 10UF 16V	066580
C24	CAP MONO .1UF 50V 20% Z5U	061346	C102	CAP ELECT 10UF 16V	066580
C25	CAP MONO .1UF 50V 20% Z5U	061346	C103	CAP ELECT 10UF 16V	066580
C26	CAP MONO .1UF 50V 20% Z5U	061346	C104	CAP ELECT 10UF 16V	066580
C27	CAP MONO .1UF 50V 20% Z5U	061346	C105	CAP ELECT 10UF 16V	066580
C28	CAP MONO .1UF 50V 20% Z5U	061346	C106	CAP ELECT 10UF 16V	066580
C29	CAP MONO .1UF 50V 20% Z5U	061346	C107	CAP ELECT 10UF 16V	066580
C30	CAP MONO .1UF 50V 20% Z5U	061346	C110	CAP MONO .1UF 50V 20% Z5U	061346
C32	CAP MONO .1UF 50V 20% Z5U	061346	C111	CAP MONO .1UF 50V 20% Z5U	061346
C36	CAP MONO 22PF 200V 10% NPO	061339	C113	CAP MONO .1UF 50V 20% Z5U	061346
C37	CAP MONO 22PF 200V 10% NPO	061339	C114	CAP MONO .1UF 50V 20% Z5U	061346
C38	CAP MONO 22PF 200V 10% NPO	061339	C115	CAP MONO .1UF 50V 20% Z5U	061346
C39	CAP MONO 22PF 200V 10% NPO	061339	C116	CAP MONO .1UF 50V 20% Z5U	061346
C40	CAP MONO 22PF 200V 10% NPO	061339	C119	CAP MONO .1UF 50V 20% Z5U	061346
C41	CAP MONO 22PF 200V 10% NPO	061339	C120	CAP MONO .1UF 50V 20% Z5U	061346
C42	CAP MONO 22PF 200V 10% NPO	061339	C121	CAP MPF 0.0022UF 5% 63VDC	064454
C43	CAP MONO 22PF 200V 10% NPO	061339	C128	CAP ELECT 1000UF 25V	066513
C44	CAP MONO 22PF 200V 10% NPO	061339	C129	CAP MONO .1UF 50V 20% Z5U	061346
C45	CAP MONO 22PF 200V 10% NPO	061339	C130	CAP MONO .1UF 50V 20% Z5U	061346
C46	CAP MONO 22PF 200V 10% NPO	061339	C131	CAP MONO .1UF 50V 20% Z5U	061346
C47	CAP MONO 22PF 200V 10% NPO	061339	C132	CAP MPF 0.0022UF 5% 63VDC	064454
C48	CAP MONO 22PF 200V 10% NPO	061339	C133	CAP MONO .1UF 50V 20% Z5U	061346
C49	CAP MONO 22PF 200V 10% NPO	061339	C134	CAP MONO .1UF 50V 20% Z5U	061346
C50	CAP MONO 22PF 200V 10% NPO	061339	C135	CAP MPF 0.0022UF 5% 63VDC	064454
C53	CAP ELECT 3300UF 35V	066509	C137	CAP MPF 0.1UF 5% 63VDC	064325
C55	CAP ELECT 3300UF 35V	066509	C138	CAP MPF 0.047UF 5% 63VDC	064320
C56	CAP ELECT 3300UF 35V	066509	C139	CAP MPF 0.047UF 5% 63VDC	064320
C58	CAP ELECT 18000UF 16V	066460	C140	CAP MPF 0.1UF 5% 63VDC	064325
C59	CAP ELECT 10UF 50V	066445	C141	CAP MPF 0.047UF 5% 63VDC	064320
C60	CAP ELECT 10UF 50V	066445	C142	CAP MPF 0.047UF 5% 63VDC	064320
C61	CAP ELECT 10UF 16V	066580	C143	CAP MPF 0.047UF 5% 63VDC	064320
C62	CAP ELECT 10UF 16V	066580	C144	CAP MPF 0.047UF 5% 63VDC	064320
C65	CAP ELECT 10UF 16V	066580	C151	CAP MONO .1UF 50V 20% Z5U	061346
C66	CAP ELECT 10UF 16V	066580	C153	CAP MONO 22PF 200V 10% NPO	061339
C67	CAP ELECT 10UF 16V	066580	C154	CAP MONO 100PF 100V 10% NPO	061341
C68	CAP ELECT 10UF 16V	066580	C155	CAP MONO 22PF 200V 10% NPO	061339
C69	CAP ELECT 10UF 16V	066580	C156	CAP MONO 22PF 200V 10% NPO	061339
C70	CAP ELECT 10UF 16V	066580	C157	CAP MONO 22PF 200V 10% NPO	061339

PARTS LIST Con't

SURROUND PCB 750570 (Cont'd.)

Ref. No.	Description	Part No.	Ref. No.	Description	Part No.
C158	CAP MONO 22PF 200V 10% NPO	061339	C286	CAP MONO .1UF 50V 20% Z5U	061346
C159	CAP MONO 22PF 200V 10% NPO	061339	C287	CAP MONO .1UF 50V 20% Z5U	061346
C160	CAP MONO 22PF 200V 10% NPO	061339	C288	CAP MONO .1UF 50V 20% Z5U	061346
C161	CAP MONO 22PF 200V 10% NPO	061339	C289	CAP MONO .1UF 50V 20% Z5U	061346
C162	CAP MONO 100PF 100V 10% NPO	061341	C290	CAP MONO .1UF 50V 20% Z5U	061346
C167	CAP MONO 22PF 200V 10% NPO	061339	C291	CAP ELECT 1000UF 25V	066513
C168	CAP MONO 100PF 100V 10% NPO	061341	C300	CAP MONO .1UF 50V 20% Z5U	061346
C169	CAP MONO 22PF 200V 10% NPO	061339	C335	CAP ELECT 10UF 16V	066580
C170	CAP ELECT 100UF 25V	066573	C336	CAP ELECT 10UF 16V	066580
C171	CAP ELECT 100UF 25V	066573	C337	CAP ELECT 10UF 16V	066580
C172	CAP ELECT 100UF 25V	066573	C338	CAP ELECT 10UF 16V	066580
C174	CAP ELECT 100UF 25V	066573	C340	CAP ELECT 47UF 50V	066215
C175	CAP ELECT 1000UF 25V	066513	C341	CAP MONO 1000PF 50V 10% NPO	061344
C178	CAP MPF 0.1UF 100V	064338	C342	CAP MONO 1000PF 50V 10% NPO	061344
C180	CAP MONO 47PF 200V 10% NPO	061340	C343	CAP MONO 1000PF 50V 10% NPO	061344
C181	CAP MONO 47PF 200V 10% NPO	061340	C344	CAP MONO 1000PF 50V 10% NPO	061344
C182	CAP MONO 47PF 200V 10% NPO	061340	C351	CAP ELECT 47UF 50V	066215
C183	CAP MONO 47PF 200V 10% NPO	061340	C390	CAP ELECT 470UF 50V	066469
C184	CAP MONO 47PF 200V 10% NPO	061340	C393	CAP MONO .1UF 50V 20% Z5U	061346
C185	CAP MONO 47PF 200V 10% NPO	061340	C394	CAP MONO .1UF 50V 20% Z5U	061346
C186	CAP MPF 0.1UF 100V	064338	C395	CAP MONO 220PF 200V 10% NPO	061342
C188	CAP MPF 1UF 5% 63VDC	064337	C396	CAP MONO .1UF 50V 20% Z5U	061346
C189	CAP MPF 1UF 5% 63VDC	064337	C397	CAP MONO 220PF 200V 10% NPO	061342
C192	CAP MPF 1UF 5% 63VDC	064337	C398	CAP MONO .1UF 50V 20% Z5U	061346
C193	CAP MPF 1UF 5% 63VDC	064337	C399	CAP MONO .1UF 50V 20% Z5U	061346
C194	CAP ELECT 470UF 50V	066469	C350	CAP ELECT 22UF 100V	066574
C195	CAP ELECT 470UF 50V	066469	C450	CAP ELECT 10UF 16V	066580
C197	CAP MONO 22PF 200V 10% NPO	061339	D1	DIODE ZENER 33V 5% 1/2W	070182
C198	CAP MONO 22PF 200V 10% NPO	061339	D2	DIODE ZENER 5.1V	070186
C199	CAP MONO 22PF 200V 10% NPO	061339	D3	DIODE ZENER 6.2V 5% 500MW	070184
C200	CAP ELECT 10UF 16V	066580	D5	DIODE SILICON	070174
C201	CAP MONO 22PF 200V 10% NPO	061339	D6	DIODE SILICON	070174
C202	CAP MONO 47PF 200V 10% NPO	061340	D7	DIODE SILICON	070174
C203	CAP ELECT 10UF 16V	066580	D8	DIODE SILICON	070174
C204	CAP MONO 22PF 200V 10% NPO	061339	D9	DIODE SILICON	070174
C205	CAP MONO 22PF 200V 10% NPO	061339	D10	DIODE SILICON	070174
C206	CAP MONO 1000PF 50V 10% NPO	061344	D11	DIODE SILICON	070174
C215	CAP ELECT 10UF 16V	066580	D19	DIODE SILICON	070174
C220	CAP ELECT 10UF 16V	066580	D27	DIODE RECTIFIER	070175
C221	CAP ELECT 10UF 16V	066580	D28	DIODE RECTIFIER	070175
C236	CAP MONO .1UF 50V 20% Z5U	061346	D29	DIODE RECT SI 3A 100V	070176
C250	CAP MONO 22PF 200V 10% NPO	061339	D30	DIODE RECT SI 3A 100V	070176
C251	CAP MONO 47PF 200V 10% NPO	061340	D31	DIODE RECT SI 3A 100V	070176
C254	CAP MONO .1UF 50V 20% Z5U	061346	D32	DIODE RECT SI 3A 100V	070176
C255	CAP MONO .1UF 50V 20% Z5U	061346	D34	DIODE RECTIFIER	070175
C256	CAP ELECT 10UF 16V	066580	D35	DIODE RECTIFIER	070175
C257	CAP ELECT 10UF 16V	066580	D36	DIODE RECTIFIER	070175
C258	CAP MONO 22PF 200V 10% NPO	061339	D37	DIODE RECTIFIER	070175
C259	CAP MONO 22PF 200V 10% NPO	061339	D40	DIODE RECTIFIER	070175
C260	CAP MONO 22PF 200V 10% NPO	061339	D41	DIODE RECTIFIER	070175
C261	CAP MONO 22PF 200V 10% NPO	061339	D100	DIODE RECTIFIER	070175
C262	CAP ELECT 10UF 16V	066580	D101	DIODE RECTIFIER	070175
C263	CAP ELECT 10UF 16V	066580	F1	FUSE 3.15A SLO-BLO 5X20 IEC	089130
C264	CAP ELECT 10UF 16V	066580	(F1)	HOLDER FUSE 5X20MM PCB MOUNT	178159
C265	CAP ELECT 10UF 16V	066580	F2	FUSE 3.15A SLO-BLO 5X20 IEC	089130
C280	CAP MONO .1UF 50V 20% Z5U	061346	(F2)	HOLDER FUSE 5X20MM PCB MOUNT	178159
C281	CAP MONO .1UF 50V 20% Z5U	061346	F3	FUSE 0.5A SLO-BLO 5X20 IEC	089126
C282	CAP MONO .1UF 50V 20% Z5U	061346	(F3)	HOLDER FUSE 5X20MM PCB MOUNT	178159
C284	CAP MONO .1UF 50V 20% Z5U	061346		WASHER SHLDR #10 BLK NYLN INS	104101
C285	CAP MONO .1UF 50V 20% Z5U	061346		RIVET 1/8X3/16 STEEL	108011

PARTS LIST Con't

SURROUND PCB 750570 (Cont'd.)

Ref. No.	Description	Part No.	Ref. No.	Description	Part No.
HS1	HEATSINK TO-220	080023	IC71	IC SPST QUAD FET SWITCHES N O	133580
(HS1)	INSULATOR ISOSTRATE TO 220	084133	IC73	IC QUAD OPERATIONAL AMPLIFIER	133596
IC1	IC VOLUME CONTROL	133583	IC80	IC 5V 1.5A REGULATOR LOW DROP	133610
IC3	IC QUAD OPERATIONAL AMPLIFIER	133596	(IC80)	HEATSINK TO-218	080020
IC4	IC REGULATOR 3.3V LOW DROPOUT	133630	(IC80)	INSULATOR ISOSTRATE TO 220	084133
(IC4)	HEATSINK TO-218	080020	IC91	IC VOLUME CONTROL	133583
(IC4)	INSULATOR ISOSTRATE TO 220	084133	IC92	IC VOLUME CONTROL	133583
IC5	IC VOLUME CONTROL	133583	IC93	IC BIFET OP AMP	133560
IC6	IC VOLUME CONTROL	133583	IC94	IC BIFET OP AMP	133560
IC7	IC VOLUME CONTROL	133583	IC150	IC HEX INVERTER	133193
IC8	IC VOLUME CONTROL	133583	J1	CONN MALE 10 POS	117219
IC9	IC VOLUME CONTROL	133583	J2	CONN 12 PIN FFC	117907
IC10	IC VOLUME CONTROL	133583	J3	CONN 12 PIN FFC	117907
IC11	IC VOLUME CONTROL	133583	J4	CONN MALE 5 PIN 0.1 POST ASSY	117216
IC16	IC VOLUME CONTROL	133583	J6	CONN MALE 9 POS FRICTION LOCK	117244
IC17	IC VOLUME CONTROL	133583	J7	CONN MALE 5 PIN 0.1 POST ASSY	117216
IC18	IC OCTAL D TYPE FLIP FLOP	133603	J8	CONN MALE 10 POS	117219
IC19	IC OCTAL D TYPE FLIP FLOP	133603	J9	CONN SUB D 25 PIN	117959
IC20	IC VOLUME CONTROL	133583	J10	CONN MALE 10 POS	117219
IC21	IC VOLUME CONTROL	133583	J15	CONN MALE 9 POS FRICTION LOCK	117244
IC22	IC VOLUME CONTROL	133583	J16	CONN MALE 10 POS	117219
IC23	IC VOLUME CONTROL	133583	J19	CONN MALE 10 POS	117219
IC24	IC VOLUME CONTROL	133583	J20	CONN 9 PIN SUB D	117902
IC25	IC QUAD OPERATIONAL AMPLIFIER	133596	J20_	CONN 4 PIN	117215
IC26	IC QUAD OPERATIONAL AMPLIFIER	133596	J21	JACK HEADPHONE DUAL BLACK 1/8"	117549
IC27	IC QUAD OPERATIONAL AMPLIFIER	133596	J22	BLADE FASTON W/FEET	117708
IC28	IC QUAD OPERATIONAL AMPLIFIER	133596	J23	BLADE FASTON W/FEET	117708
IC30	IC RS232 DRIVER LINE	133561	J24	BLADE FASTON W/FEET	117708
IC31	IC REGULATOR +12V	133571	J26	BLADE FASTON W/FEET	117708
IC32	IC REGULATOR 24V NEG	133600	J27	BLADE FASTON W/FEET	117708
IC33	IC REGULATOR +15V	133587	J28	BLADE FASTON W/FEET	117708
IC33	HEATSINK TO-218	080020	J29	BLADE FASTON W/FEET	117708
(IC33)	INSULATOR ISOSTRATE TO 220	084133	J30	BLADE FASTON W/FEET	117708
IC34	IC VOLTAGE REGULATOR -15V	133566	J31	CONN 4 PIN	117215
(IC34)	HEATSINK TO-218	080020	J32	CONN 12 PIN FFC	117907
(IC34)	INSULATOR ISOSTRATE TO 220	084133	J33	JACK HEADPHONE DUAL BLACK 1/8"	117549
IC35	IC MONOSTB MULTIVIB X 2	133593	J34	JACK HEADPHONE DUAL BLACK 1/8"	117549
IC36	IC REGULATOR +5V	133569	J40	JACK RCA 4X2 WHT/RED 14MM	117791
(IC36)	HEATSINK TO-218	080020	J41	JACK RCA 4X2 WHT/RED 14MM	117791
(IC36)	INSULATOR ISOSTRATE TO 220	084133	J45	JACK RJ45	117898
IC37	IC 5V 1.5A REGULATOR LOW DROP	133610	J46	JACK RJ45	117898
(IC37)	HEATSINK TO-218	080020		CONN HEADER SOCKET 2X20	117799
(IC37)	INSULATOR ISOSTRATE TO 220	084133	J93	JACK RCA 1X2 WHT/RED 14MM	117788
IC38	COUPLER OPTICAL SCHMITT OUTPUT	131030	K4	RELAY REED FORM 1A 5V 500 OHMS	087050
IC40	IC BIFET OP AMP	133560	K5	RELAY REED FORM 1A 5V 500 OHMS	087050
IC41	IC BIFET OP AMP	133560	K6	RELAY REED FORM 1A 5V 500 OHMS	087050
IC42	IC BIFET OP AMP	133560	K7	RELAY REED FORM 1A 5V 500 OHMS	087050
IC44	IC BIFET OP AMP	133560	K8	RELAY REED FORM 1A 5V 500 OHMS	087050
IC45	IC BIFET OP AMP	133560	K9	RELAY REED FORM 1A 5V 500 OHMS	087050
IC46	IC BIFET OP AMP	133560	K10	RELAY REED FORM 1A 5V 500 OHMS	087050
IC48	IC 2 INPUT X 4	133591	K11	RELAY REED FORM 1A 5V 500 OHMS	087050
IC49	IC 2 INPUT X 4	133591	K12	RELAY POWER TV5 24V	087069
IC51	IC 2 INPUT X 4	133591	K13	RELAY 24VDC 5A 277VAC	087057
IC52	IC 2 INPUT X 4	133591	K15	RELAY REED FORM 1A 5V 500 OHMS	087050
IC55	IC QUAD OPERATIONAL AMPLIFIER	133596	K20	RELAY REED FORM 1A 5V 500 OHMS	087050
IC56	IC QUAD OPERATIONAL AMPLIFIER	133596	K21	RELAY REED FORM 1A 5V 500 OHMS	087050
IC59	COUPLER OPTICAL SCHMITT OUTPUT	131030	L10	BEADS FERRITE LEADED	076023
IC66	IC SPST QUAD FET SWITCHES N O	133580	L11	BEADS FERRITE LEADED	076023
IC69	IC OPERATIONAL AMPLIFIER	133626	L12	BEADS FERRITE LEADED	076023
IC70	IC OCTAL DAR TRNS ARRY W/DIODE	133624	L17	BEADS FERRITE LEADED	076023

PARTS LIST Con't

SURROUND PCB 750570 (Cont'd.)

Ref. No.	Description	Part No.	Ref. No.	Description	Part No.
P1	SOCKET STRIP .025 SQ 20 PIN	117642	R82	RES MF 1.65K 1% 1/4W	144516
P3	SOCKET STRIP .025 SQ 20 PIN	117642	R87	RES MF 10K 1% 1/4W	144504
P6	SOCKET STRIP .025 SQ 20 PIN	117642	R88	RES MF 8.25K 1% 1/4W	144549
	DECAL FUSE 3.15A SLO-BLO	126976	R89	RES MF 20K 1% 1/4W	144524
PCB1	PC BD SURROUND	129782	R90	RES MF 8.25K 1% 1/4W	144549
Q4	HEATSINK TO-218	080020	R91	RES MF 20K 1% 1/4W	144524
(Q4)	IC VOLTAGE REGULATOR -5.2V	133567	R115	RES MF 100K 1% 1/4W	144528
Q10	TRANSISTOR NPN DAR	132303	R116	RES MF 3.32K 1% 1/4W	144518
Q3 Q9 Q11	TRANSISTOR NPN SILICON	132317	R117	RES MF 20K 1% 1/4W	144524
(Q4)	INSULATOR ISOSTRATE TO 220	084133	R118	RES MF 3.32K 1% 1/4W	144518
R1	RES MF 1.1K 1% 1/4W	144514	R119	RES MF 100K 1% 1/4W	144528
R2	RES MF 20K 1% 1/4W	144524	R120	RES MF 10K 1% 1/4W	144504
R3	RES WW 100 OHM 10% 2W BWH	139134	R121	RES MF 10K 1% 1/4W	144504
R4	RES MF 8.25K 1% 1/4W	144549	R122	RES MF 8.25K 1% 1/4W	144549
R5	RES FP 1.1 OHM 5% 1/4W	137002	R123	RES MF 20K 1% 1/4W	144524
R6	RES MF 20K 1% 1/4W	144524	R124	RES MF 8.25K 1% 1/4W	144549
R7	RES MF 10K 1% 1/4W	144504	R125	RES MF 20K 1% 1/4W	144524
R8	RES NETWORK 2 X 100 OHM ISO	144680	R126	RES MF 20K 1% 1/4W	144524
R9	RES MF 100 OHM 1% 1/4W	144568	R127	RES MF 3.32K 1% 1/4W	144518
R10	RES MF 75 OHM 1% 1/4W	144644	R128	RES MF 20K 1% 1/4W	144524
R11	RES NETWORK 2 X 100 OHM ISO	144680	R129	RES MF 3.32K 1% 1/4W	144518
R12	RES 1.37K 1% 1/4W	144515	R131	RES MF 10K 1% 1/4W	144504
R14	RES 1.37K 1% 1/4W	144515	R133	RES NETWORK 2 X 22K ISO	144689
R15	RES 1.37K 1% 1/4W	144515	R135	RES NETWORK 2 X 22K ISO	144689
R16	RES 1.37K 1% 1/4W	144515	R137	RES NETWORK 2 X 22K ISO	144689
R17	RES MF 1.65K 1% 1/4W	144516	R138	RES NETWORK 2 X 22K ISO	144689
R23	RES NETWORK 4 X 1K ISOLATED	144500	R141	RES NETWORK 2 X 22K ISO	144689
R25	RES NETWORK 4 X 1K ISOLATED	144500	R146	RES MF 100K 1% 1/4W	144528
R27	RES MF 1.1K 1% 1/4W	144514	R152	RES NETWORK 2 X 22K ISO	144689
R28	RES POLYSWITCH RXE030	144670	R158	RES MF 30.1K 1% 1/4W	144573
R29	RES POLYSWITCH RXE030	144670	R159	RES MF 30.1K 1% 1/4W	144573
R30	RES MF 10K 1% 1/4W	144504	R161	RES MF 30.1K 1% 1/4W	144573
R31	RES MF 1.21K 1% 1/4W	144566	R165	RES MF 61.9K 1% 1/4W	144596
R39	RES MF 100K 1% 1/4W	144528	R167	RES MF 40.2K 1% 1/4W	144525
R40	RES MF 8.25K 1% 1/4W	144549	R168	RES MF 40.2K 1% 1/4W	144525
R42	RES MF 10K 1% 1/4W	144504	R170	RES MF 61.9K 1% 1/4W	144596
R43	RES NETWORK 2 X 22K ISO	144689	R171	RES MF 4.02K 1% 1/4W	144519
R44	RES NETWORK 2 X 22K ISO	144689	R172	RES MF 1.65K 1% 1/4W	144516
R45	RES MF 20K 1% 1/4W	144524	R173	RES MF 2.67K 1% 1/4W	144534
R47	RES MF 20K 1% 1/4W	144524	R174	RES MF 1.65K 1% 1/4W	144516
R48	RES MF 3.32K 1% 1/4W	144518	R175	RES MF 221 OHM 1% 1/4W	144559
R50	RES MF 20K 1% 1/4W	144524	R176	RES MF 1.1K 1% 1/4W	144514
R51	RES MF 3.32K 1% 1/4W	144518	R177	RES MF 27.4K 1% 1/4W	144545
R54	RES MF 100K 1% 1/4W	144528	R178	RES MF 20K 1% 1/4W	144524
R55	RES NETWORK 2 X 22K ISO	144689	R179	RES MF 35.7K 1% 1/4W	144368
R57	RES MF 10K 1% 1/4W	144504	R183	RES MF 35.7K 1% 1/4W	144368
R58	RES MF 1.65K 1% 1/4W	144516	R184	RES MF 20K 1% 1/4W	144524
R59	RES MF 1.65K 1% 1/4W	144516	R185	RES MF 27.4K 1% 1/4W	144545
R60	RES MF 1.65K 1% 1/4W	144516	R189	RES MF 221 OHM 1% 1/4W	144559
R63	RES NETWORK 2 X 100 OHM ISO	144680	R190	RES MF 100K 1% 1/4W	144528
R64	RES MF 10K 1% 1/4W	144504	R191	RES MF 100K 1% 1/4W	144528
R66	RES MF 100K 1% 1/4W	144528	R192	RES MF 100K 1% 1/4W	144528
R67	RES MF 3.32K 1% 1/4W	144518	R193	RES NETWORK 2 X 22K ISO	144689
R68	RES MF 20K 1% 1/4W	144524	R196	RES NETWORK 2 X 22K ISO	144689
R69	RES MF 3.32K 1% 1/4W	144518	R201	RES MF 10 OHM 1% 1/4W	144553
R70	RES MF 20K 1% 1/4W	144524	R203	RES MF 100K 1% 1/4W	144528
R72	RES NETWORK 2 X 220K ISO	144678	R204	RES MF 100K 1% 1/4W	144528
R74	RES NETWORK 2 X 22K ISO	144689	R205	RES MF 100K 1% 1/4W	144528
R78	RES NETWORK 2 X 100 OHM ISO	144680	R206	RES MF 100K 1% 1/4W	144528
R79	RES NETWORK 2 X 100 OHM ISO	144680	R207	RES MF 100K 1% 1/4W	144528

PARTS LIST Con't

SURROUND PCB 750570 (Cont'd.)

Ref. No.	Description	Part No.	Ref. No.	Description	Part No.
R208	RES MF 100K 1% 1/4W	144528	R329	RES NETWORK 2 X 220K ISO	144678
R209	RES MF 100K 1% 1/4W	144528	R330	RES NETWORK 2 X 100 OHM ISO	144680
R210	RES MF 100K 1% 1/4W	144528	R340	RES FP 10 OHM 5% 1/4W	137105
R211	RES MF 100K 1% 1/4W	144528	R350	RES MF 10 OHM 1% 1/4W	144553
R212	RES MF 100K 1% 1/4W	144528	R360	RES MF 4.75K 1% 1/4W	144520
R213	RES MF 1.65K 1% 1/4W	144516	R361	RES MF 4.75K 1% 1/4W	144520
R214	RES MF 5.62K OHM 1% 1/4W	144647	R375	RES MF 3.32K 1% 1/4W	144518
R215	RES MF 1.65K 1% 1/4W	144516	R376	RES MF 1.65K 1% 1/4W	144516
R216	RES MF 1.65K 1% 1/4W	144516	R380	RES NETWORK 2 X 100 OHM ISO	144680
R217	RES MF 1.65K 1% 1/4W	144516	R382	RES NETWORK 2 X 100 OHM ISO	144680
R218	RES MF 1.65K 1% 1/4W	144516	R384	RES NETWORK 2 X 100 OHM ISO	144680
R219	RES MF 1.65K 1% 1/4W	144516	R386	RES MF 61.9K 1% 1/4W	144596
R220	RES MF 1.65K 1% 1/4W	144516	R387	RES MF 61.9K 1% 1/4W	144596
R221	RES MF 1.65K 1% 1/4W	144516	R390	RES NETWORK 2 X 220K ISO	144678
R222	RES MF 1.65K 1% 1/4W	144516	R391	RES NETWORK 2 X 220K ISO	144678
R223	RES MF 5.62K OHM 1% 1/4W	144647	R393	RES MF 1.1K 1% 1/4W	144514
R224	RES 1.37K 1% 1/4W	144515	R400	RES MF 100K 1% 1/4W	144528
R225	RES 1.37K 1% 1/4W	144515	R401	RES MF 100K 1% 1/4W	144528
R226	RES 1.37K 1% 1/4W	144515	R402	RES MF 100K 1% 1/4W	144528
R227	RES 1.37K 1% 1/4W	144515	R403	RES MF 100K 1% 1/4W	144528
R228	RES 1.37K 1% 1/4W	144515	R450	RES MF 100K 1% 1/4W	144528
R229	RES 1.37K 1% 1/4W	144515	R328	RES NETWORK 2 X 22K ISO	144689
R230	RES 1.37K 1% 1/4W	144515	R22	RES NETWORK 470K X 6	144690
R231	RES 1.37K 1% 1/4W	144515	S1	SWITCH SLIDE DPDT	148076
R232	RES MF 100K 1% 1/4W	144528		SOCKET IC 20 PIN	178181
R233	RES MF 100K 1% 1/4W	144528		SOCKET IC DIP 16 PIN DUAL	178182
R234	RES MF 100K 1% 1/4W	144528		CUTLIST MX119	184119
R235	RES 1.37K 1% 1/4W	144515		SCR MS 4-40 X 1/4 PH PN BLK	400121
R236	RES 1.37K 1% 1/4W	144515		NUT KEP 4-40 CLR	402001
R237	RES 1.37K 1% 1/4W	144515		STANDOFF 4-40 X 7/16 M/F	412084
R238	RES 1.37K 1% 1/4W	144515		ASSY INSERTION PCB SURROUND	702412
R239	RES NETWORK 2 X 100 OHM ISO	144680			
R240	RES NETWORK 2 X 100 OHM ISO	144680			
R241	RES NETWORK 2 X 100 OHM ISO	144680			
R243	RES NETWORK 2 X 100 OHM ISO	144680			
R244	RES NETWORK 2 X 100 OHM ISO	144680			
R245	RES NETWORK 2 X 100 OHM ISO	144680			
R278	RES MF 10 OHM 1% 1/4W	144553			
R279	RES MF 10 OHM 1% 1/4W	144553			
R280	RES MF 10 OHM 1% 1/4W	144553			
R281	RES MF 10 OHM 1% 1/4W	144553			
R282	RES MF 10 OHM 1% 1/4W	144553			
R283	RES MF 10 OHM 1% 1/4W	144553			
R299	RES MF 10K 1% 1/4W	144504			
R300	RES MF 10K 1% 1/4W	144504			
R313	RES MF 100K 1% 1/4W	144528			
R314	RES MF 100K 1% 1/4W	144528			
R315	RES MF 10 OHM 1% 1/4W	144553			
R316	RES MF 100K 1% 1/4W	144528			
R317	RES MF 10 OHM 1% 1/4W	144553			
R318	RES MF 100K 1% 1/4W	144528			
R319	RES 1.37K 1% 1/4W	144515			
R320	RES 1.37K 1% 1/4W	144515			
R321	RES MF 1.65K 1% 1/4W	144516			
R322	RES MF 1.65K 1% 1/4W	144516			
R323	RES 1.37K 1% 1/4W	144515			
R324	RES 1.37K 1% 1/4W	144515			
R325	RES MF 1.65K 1% 1/4W	144516			
R326	RES MF 1.65K 1% 1/4W	144516			
R327	RES NETWORK 2 X 22K ISO	144689			

4 DATA PCB 750572

BRKT1	BRACKET PCB CARD MOUNTING	003611
BRKT2	BRACKET PCB CARD MOUNTING	003611
BRKT3	BRACKET PCB CARD MOUNTING	003611
C1	CAP MONO .1UF 50V 20% Z5U	061346
C2	CAP MONO .1UF 50V 20% Z5U	061346
C3	CAP MONO .1UF 50V 20% Z5U	061346
C4	CAP MONO .1UF 50V 20% Z5U	061346
C5	CAP MONO .1UF 50V 20% Z5U	061346
C6	CAP MONO .1UF 50V 20% Z5U	061346
C7	CAP MONO .1UF 50V 20% Z5U	061346
C8	CAP MONO .1UF 50V 20% Z5U	061346
C10	CAP MPF 0.1UF 5% 63VDC	064325
C11	CAP MPF 0.1UF 5% 63VDC	064325
C12	CAP MPF 0.1UF 5% 63VDC	064325
C13	CAP MPF 0.1UF 5% 63VDC	064325
C14	CAP MONO .1UF 50V 20% Z5U	061346
C15	CAP ELECT 47UF 35V	066446
C16	CAP MONO .1UF 50V 20% Z5U	061346
C17	CAP MONO .1UF 50V 20% Z5U	061346
C18	CAP MONO .1UF 50V 20% Z5U	061346
C19	CAP MONO .1UF 50V 20% Z5U	061346
C21	CAP MONO .1UF 50V 20% Z5U	061346
C22	CAP ELECT 47UF 35V	066446
C23	CAP MONO .1UF 50V 20% Z5U	061346

PARTS LIST Con't

SURROUND PCB 750572 (Cont'd.)

Ref. No.	Description	Part No.
C24	CAP ELECT 47UF 35V	066446
C25	CAP MONO .1UF 50V 20% Z5U	061346
C26	CAP ELECT 47UF 35V	066446
C30	CAP MONO 220PF 200V 10% NPO	061342
C35	CAP MONO .1UF 50V 20% Z5U	061346
C40	CAP MONO 220PF 200V 10% NPO	061342
C41	CAP MONO 220PF 200V 10% NPO	061342
D20	DIODE SILICON	070174
D21	DIODE SILICON	070174
IC1	IC 2 INPUT X 4	133591
IC2	IC 2 INPUT X 4	133591
IC3	IC NOR 2 INPUT X 4	133592
IC4	IC AND 2 INPUT X 4	133577
IC5	IC SHFT REG SER-PAR	133594
IC6	IC SHFT REG SER-PAR	133594
IC7	IC SHFT REG SER-PAR	133594
IC8	IC SHFT REG SER-PAR	133594
IC9	IC SHFT REG SER-PAR	133594
IC10	IC 8 LN DRIVER ARRAY	133180
(IC10)	IC SOCKET 18 PIN DIP	178184
IC11	IC 8 LN DRIVER ARRAY	133180
(IC11)	IC SOCKET 18 PIN DIP	178184
IC12	IC 8 LN DRIVER ARRAY	133180
(IC12)	IC SOCKET 18 PIN DIP	178184
IC23	IC LINE RECEIVER QUAD	133428
IC24	IC 2 INPUT X 4	133591
IC25	IC HEX UNBUF INVERTER	133576
IC35	IC 8 LN DRIVER ARRAY	133180
(IC35)	IC SOCKET 18 PIN DIP	178184
IC40	IC 8-INPUT SEL/MULTI	133219
J5_	CONN MALE 9 POS FRICTION LOCK	117244
J8	JACK MINI	117494
J9	JACK MINI	117494
J14	JACK MINI	117494
J15	JACK MINI	117494
J16	JACK MINI	117494
J17	JACK MINI	117494
J18	JACK MINI	117494
J19	JACK MINI	117494
J20	JACK MINI	117494
J21	JACK MINI	117494
J22	JACK MINI	117494
J36	JACK RCA 4X1 ORANGE 14MM	117778
J37	CONN MALE 10 POS RIGHT ANGLE	117260
L1	INDUCTOR 3.9UH 5%	122400
L2	CHOKE 18UH 5%-10%	122394
L3	CHOKE 18UH 5%-10%	122394
L4	CHOKE 18UH 5%-10%	122394
L5	CHOKE 18UH 5%-10%	122394
L6	CHOKE 18UH 5%-10%	122394
L7	CHOKE 18UH 5%-10%	122394
L8	CHOKE 18UH 5%-10%	122394
L9	CHOKE 18UH 5%-10%	122394
L10	CHOKE 18UH 5%-10%	122394
PCB1	PC BD DATA	129774
OPT1	FIBER OPTIC RECEIVER	058179
OPT2	FIBER OPTIC RECEIVER	058179
OPT3	FIBER OPTIC RECEIVER	058179
OPT4	TRANSMITTER FIBER OPTIC	058180
R1	RES NETWORK 5 X 100 ISO	144677

Ref. No.	Description	Part No.
R2	RES NETWORK 5 X 100 ISO	144677
R3	RES NETWORK 5 X 100 ISO	144677
R5	RES MF 100K 1% 1/4W	144528
R6	RES MF 100K 1% 1/4W	144528
R7	RES MF 100K 1% 1/4W	144528
R8	RES MF 100K 1% 1/4W	144528
R10	RES MF 100K 1% 1/4W	144528
R11	RES MF 100K 1% 1/4W	144528
R20	RES MF 1K 1% 1/4W	144513
R30	RES MF 75 OHM 1% 1/4W	144644
R31	RES MF 75 OHM 1% 1/4W	144644
R32	RES MF 75 OHM 1% 1/4W	144644
R33	RES MF 365 OHM 1% 1/4W	144505
R34	RES MF 95.3 OHM 1% 1/4W	144572
R40	RES MF 10K 1% 1/4W	144504
R60	RES MF 100K 1% 1/4W	144528
R61	RES MF 1K 1% 1/4W	144513
R63	RES MF 100K 1% 1/4W	144528
T1	TRANSFORMER DIGITAL INTERFACE	159351
	RIVET 1/8X3/16 STEEL	108011
	ASSY INSERTION PCB DATA	702414

4 S-VIDEO PCB 750574

C3	CAP MONO .1UF 50V 20% Z5U	061346
C4	CAP MONO .1UF 50V 20% Z5U	061346
C7	CAP MONO .1UF 50V 20% Z5U	061346
C8	CAP MONO .1UF 50V 20% Z5U	061346
C9	CAP MONO .1UF 50V 20% Z5U	061346
C11	CAP MONO .1UF 50V 20% Z5U	061346
C13	CAP MONO .1UF 50V 20% Z5U	061346
C15	CAP MONO .1UF 50V 20% Z5U	061346
C16	CAP ELECT 10UF 50V	066445
C17	CAP ELECT 10UF 50V	066445
C24	CAP MONO .1UF 50V 20% Z5U	061346
C26	CAP MONO .1UF 50V 20% Z5U	061346
C30	CAP MONO .1UF 50V 20% Z5U	061346
C32	CAP MONO .1UF 50V 20% Z5U	061346
C34	CAP MONO .1UF 50V 20% Z5U	061346
C36	CAP MONO .1UF 50V 20% Z5U	061346
C48	CAP ELECT 10UF 50V	066445
C49	CAP ELECT 10UF 50V	066445
C51	CAP ELECT 10UF 50V	066445
C54	CAP ELECT 10UF 50V	066445
C59	CAP MONO .1UF 50V 20% Z5U	061346
C60	CAP MONO .1UF 50V 20% Z5U	061346
C61	CAP MONO .1UF 50V 20% Z5U	061346
C70	CAP MONO .1UF 50V 20% Z5U	061346
C71	CAP MONO .1UF 50V 20% Z5U	061346
C72	CAP MONO .1UF 50V 20% Z5U	061346
C73	CAP MONO .1UF 50V 20% Z5U	061346
C74	CAP ELECT 47UF 16V	066380
C75	CAP ELECT 47UF 16V	066380
C76	CAP ELECT 47UF 16V	066380
C77	CAP ELECT 47UF 16V	066380
C80	CAP MONO 220PF 200V 10% NPO	061342
C81	CAP MONO 220PF 200V 10% NPO	061342
C90	CAP ELECT 47UF 16V	066380
C91	CAP ELECT 47UF 16V	066380
D5	DIODE SIL 400 PIV @ 1.5A	070031

PARTS LIST Con't

5

S-VIDEO PCB 750574 (Cont'd.)

Ref. No.	Description	Part No.	Ref. No.	Description	Part No.
D6	DIODE SIL 400 PIV @ 1.5A	070031	R56	RES FP 10 OHM 5% 1/4W	137105
	RIVET 1/8X3/16 STEEL	108011	R58	RES MF 47.5K 1% 1/4W	144526
IC1	IC SPST QUAD FET SWITCHES N O	133580	R59	RES MF 47.5K 1% 1/4W	144526
IC2	IC SPST QUAD FET SWITCHES N O	133580	R60	RES MF 47.5K 1% 1/4W	144526
IC3	IC SPST QUAD FET SWITCHES N O	133580	R61	RES MF 47.5K 1% 1/4W	144526
IC4	IC SPST QUAD FET SWITCHES N O	133580	R62	RES MF 47.5K 1% 1/4W	144526
IC5	IC SPST QUAD FET SWITCHES N O	133580	R63	RES MF 47.5K 1% 1/4W	144526
IC6	IC SPST QUAD FET SWITCHES N O	133580	R67	RES FP 10 OHM 5% 1/4W	137105
IC9	IC SPST QUAD FET SWITCHES N O	133580	R76	RES FP 10 OHM 5% 1/4W	137105
IC10	IC SPST QUAD FET SWITCHES N O	133580	R77	RES MF 1K 1% 1/4W	144513
IC20	IC SHFT REG SER-PAR	133594	R80	RES FP 10 OHM 5% 1/4W	137105
IC21	IC SHFT REG SER-PAR	133594	R81	RES FP 10 OHM 5% 1/4W	137105
IC22	IC SHFT REG SER-PAR	133594	R83	RES MF 47.5K 1% 1/4W	144526
IC30	IC SHFT REG SER-PAR	133594	R84	RES MF 47.5K 1% 1/4W	144526
IC31	IC SHFT REG SER-PAR	133594	R85	RES FP 10 OHM 5% 1/4W	137105
J1	JACK S-VIDEO 3X1 14MM	117779	R86	RES MF 10K 1% 1/4W	144504
J2	JACK S-VIDEO 3X1 14MM	117779	R87	RES MF 4.99K 1% 1/4W	144521
J5	JACK S-VIDEO 3X1 14MM	117779	R88	RES FP 10 OHM 5% 1/4W	137105
J20	CONN MALE 10 POS RIGHT ANGLE	117260	R89	RES MF 4.99K 1% 1/4W	144521
J23	CONN MALE 6 POS FRICTION LOCK	117218	R90	RES MF 75 OHM 1% 1/4W	144644
J25_	CONN 4 PIN	117215	R92	RES MF 806 OHM 1% 1/4W	144512
PCB1	PC BD S-VIDEO	129776	R93	RES MF 806 OHM 1% 1/4W	144512
Q1	TRANSISTOR NPN SILICON	132317	R94	RES MF 10K 1% 1/4W	144504
R1	RES MF 75 OHM 1% 1/4W	144644	R95	RES MF 806 OHM 1% 1/4W	144512
R2	RES MF 75 OHM 1% 1/4W	144644	R96	RES MF 10K 1% 1/4W	144504
R3	RES MF 75 OHM 1% 1/4W	144644	R97	RES MF 806 OHM 1% 1/4W	144512
R4	RES MF 75 OHM 1% 1/4W	144644	R98	RES MF 47.5K 1% 1/4W	144526
R5	RES MF 75 OHM 1% 1/4W	144644	R91	RES MF 75 OHM 1% 1/4W	144644
R6	RES MF 806 OHM 1% 1/4W	144512	R75	RES NETWORK 2 X 22K ISO	144689
R7	RES MF 75 OHM 1% 1/4W	144644	SP1	BRACKET PCB CARD MOUNTING	003611
R8	RES MF 75 OHM 1% 1/4W	144644	SP2	BRACKET PCB CARD MOUNTING	003611
R9	RES MF 75 OHM 1% 1/4W	144644	U14	IC 100MA I FEEDBACK AMP	133579
R10	RES MF 75 OHM 1% 1/4W	144644	U15	IC 100MA I FEEDBACK AMP	133579
R11	RES MF 806 OHM 1% 1/4W	144512	U16	IC 100MA I FEEDBACK AMP	133579
R12	RES MF 75 OHM 1% 1/4W	144644		ASSY INSERTION PCB S-VIDEO	702416
R13	RES MF 75 OHM 1% 1/4W	144644			
R14	RES MF 75 OHM 1% 1/4W	144644			
R16	RES MF 75 OHM 1% 1/4W	144644			
R21	RES MF 10K 1% 1/4W	144504			
R22	RES MF 806 OHM 1% 1/4W	144512			
R23	RES MF 806 OHM 1% 1/4W	144512			
R24	RES MF 10K 1% 1/4W	144504			
R25	RES MF 75 OHM 1% 1/4W	144644			
R33	RES MF 75 OHM 1% 1/4W	144644			
R34	RES MF 10K 1% 1/4W	144504			
R35	RES MF 75 OHM 1% 1/4W	144644			
R36	RES MF 806 OHM 1% 1/4W	144512			
R37	RES MF 806 OHM 1% 1/4W	144512			
R38	RES MF 806 OHM 1% 1/4W	144512			
R39	RES MF 10K 1% 1/4W	144504			
R40	RES MF 806 OHM 1% 1/4W	144512			
R41	RES MF 47.5K 1% 1/4W	144526			
R42	RES MF 47.5K 1% 1/4W	144526			
R43	RES MF 47.5K 1% 1/4W	144526			
R44	RES MF 47.5K 1% 1/4W	144526			
R45	RES MF 47.5K 1% 1/4W	144526			
R46	RES MF 47.5K 1% 1/4W	144526			
R50	RES FP 10 OHM 5% 1/4W	137105			
R52	RES FP 10 OHM 5% 1/4W	137105			
R54	RES FP 10 OHM 5% 1/4W	137105			

6

VIDEO PCB 750573

C5	CAP ELECT 10UF 50V	066445
C6	CAP ELECT 10UF 50V	066445
C7	CAP ELECT 10UF 50V	066445
C8	CAP ELECT 10UF 50V	066445
C11	CAP MONO .1UF 50V 20% Z5U	061346
C13	CAP MONO .1UF 50V 20% Z5U	061346
C14	CAP MONO .1UF 50V 20% Z5U	061346
C16	CAP MONO .1UF 50V 20% Z5U	061346
C18	CAP MONO .1UF 50V 20% Z5U	061346
C19	CAP MONO .1UF 50V 20% Z5U	061346
C20	CAP MONO .1UF 50V 20% Z5U	061346
C22	CAP MONO .1UF 50V 20% Z5U	061346
C23	CAP MONO .1UF 50V 20% Z5U	061346
C24	CAP MONO .1UF 50V 20% Z5U	061346
C26	CAP MONO .1UF 50V 20% Z5U	061346
C30	CAP MONO .1UF 50V 20% Z5U	061346
C31	CAP MONO .1UF 50V 20% Z5U	061346
C32	CAP MONO .1UF 50V 20% Z5U	061346
C33	CAP MONO .1UF 50V 20% Z5U	061346
C35	CAP ELECT 47UF 16V	066380
C36	CAP ELECT 47UF 16V	066380
C37	CAP ELECT 47UF 16V	066380

PARTS LIST Con't

6

VIDEO PCB 750573 (Cont'd.)

Ref. No.	Description	Part No.
C38	CAP ELECT 47UF 16V	066380
C39	CAP ELECT 47UF 16V	066380
C42	CAP ELECT 47UF 16V	066380
C43	CAP ELECT 47UF 16V	066380
C44	CAP ELECT 47UF 16V	066380
C46	CAP ELECT 47UF 16V	066380
C48	CAP MONO .1UF 50V 20% Z5U	061346
C50	CAP MONO .1UF 50V 20% Z5U	061346
C51	CAP MONO .1UF 50V 20% Z5U	061346
C55	CAP MONO .1UF 50V 20% Z5U	061346
C83	CAP MONO 220PF 200V 10% NPO	061342
D1	DIODE SIL 400 PIV @ 1.5A	070031
D2	DIODE SIL 400 PIV @ 1.5A	070031
	RIVET 1/8X3/16 STEEL	108011
IC2	IC SPST QUAD FET SWITCHES N O	133580
IC3	IC SPST QUAD FET SWITCHES N O	133580
IC4	IC SPST QUAD FET SWITCHES N O	133580
IC7	IC SPST QUAD FET SWITCHES N O	133580
IC8	IC SHFT REG SER-PAR	133594
IC9	IC 100MA I FEEDBACK AMP	133579
IC10	IC 100MA I FEEDBACK AMP	133579
IC13	IC SHFT REG SER-PAR	133594
IC14	IC SHFT REG SER-PAR	133594
IC15	IC SHFT REG SER-PAR	133594
IC16	IC SPST QUAD FET SWITCHES N O	133580
IC17	IC SHFT REG SER-PAR	133594
IC19	IC NAND SCHMIT 2-IN X 4	133595
J1	JACK RCA 3X1 YELLOW 14MM	117777
J2	JACK RCA 3X1 YELLOW 14MM	117777
J5	JACK RCA 3X1 YELLOW 14MM	117777
J10	CONN 4 PIN	117215
J20	CONN MALE 12 POS ASSY	117220
PCB1	PC BD VIDEO	129775
R2	RES MF 10K 1% 1/4W	144504
R3	RES MF 75 OHM 1% 1/4W	144644
R5	RES MF 75 OHM 1% 1/4W	144644
R9	RES MF 10K 1% 1/4W	144504
R10	RES MF 806 OHM 1% 1/4W	144512
R11	RES MF 75 OHM 1% 1/4W	144644
R12	RES MF 806 OHM 1% 1/4W	144512
R13	RES MF 75 OHM 1% 1/4W	144644
R14	RES MF 75 OHM 1% 1/4W	144644
R15	RES MF 75 OHM 1% 1/4W	144644
R16	RES MF 806 OHM 1% 1/4W	144512
R17	RES MF 75 OHM 1% 1/4W	144644
R18	RES MF 806 OHM 1% 1/4W	144512
R19	RES MF 10K 1% 1/4W	144504
R21	RES MF 806 OHM 1% 1/4W	144512
R22	RES MF 806 OHM 1% 1/4W	144512
R23	RES MF 75 OHM 1% 1/4W	144644
R24	RES MF 806 OHM 1% 1/4W	144512
R25	RES MF 75 OHM 1% 1/4W	144644
R26	RES MF 806 OHM 1% 1/4W	144512
R27	RES MF 10K 1% 1/4W	144504
R28	RES MF 75 OHM 1% 1/4W	144644
R29	RES FP 10 OHM 5% 1/4W	137105
R30	RES MF 47.5K 1% 1/4W	144526
R32	RES FP 10 OHM 5% 1/4W	137105
R33	RES FP 10 OHM 5% 1/4W	137105
R34	RES FP 10 OHM 5% 1/4W	137105

Ref. No.	Description	Part No.
R35	RES FP 10 OHM 5% 1/4W	137105
R37	RES MF 47.5K 1% 1/4W	144526
R38	RES MF 47.5K 1% 1/4W	144526
R39	RES MF 47.5K 1% 1/4W	144526
R40	RES MF 47.5K 1% 1/4W	144526
R41	RES MF 47.5K 1% 1/4W	144526
R42	RES MF 47.5K 1% 1/4W	144526
R51	RES MF 47.5K 1% 1/4W	144526
R52	RES MF 47.5K 1% 1/4W	144526
R53	RES MF 47.5K 1% 1/4W	144526
R54	RES MF 47.5K 1% 1/4W	144526
R55	RES FP 10 OHM 5% 1/4W	137105
R56	RES MF 4.99K 1% 1/4W	144521
R57	RES FP 10 OHM 5% 1/4W	137105
R58	RES MF 4.99K 1% 1/4W	144521
R59	RES MF 47.5K 1% 1/4W	144526
R91	RES MF 1.1K 1% 1/4W	144514
	RES MF 22.1K 1% 1/4W	144564
SP1	BRACKET PCB CARD MOUNTING	003611
SP2	BRACKET PCB CARD MOUNTING ASSY INSERTION PCB VIDEO	003611 702415

7

INPUT PCB 750571

Ref. No.	Description	Part No.
C1	CAP ELECT 10UF 50V	066445
C2	CAP ELECT 10UF 50V	066445
C3	CAP ELECT 10UF 50V	066445
C4	CAP ELECT 10UF 50V	066445
C5	CAP MONO .1UF 50V 20% Z5U	061346
C6	CAP MONO .1UF 50V 20% Z5U	061346
C7	CAP MONO .1UF 50V 20% Z5U	061346
C8	CAP MONO .1UF 50V 20% Z5U	061346
C9	CAP ELECT 10UF 16V	066580
C12	CAP MONO 100PF 100V 10% NPO	061341
C13	CAP MONO 100PF 100V 10% NPO	061341
C14	CAP MONO 100PF 100V 10% NPO	061341
C15	CAP MONO .1UF 50V 20% Z5U	061346
C16	CAP MONO .1UF 50V 20% Z5U	061346
C17	CAP MONO .1UF 50V 20% Z5U	061346
C18	CAP MONO .1UF 50V 20% Z5U	061346
C19	CAP MONO .1UF 50V 20% Z5U	061346
C20	CAP MONO .1UF 50V 20% Z5U	061346
C21	CAP MONO .1UF 50V 20% Z5U	061346
C22	CAP MONO .1UF 50V 20% Z5U	061346
C23	CAP MONO .1UF 50V 20% Z5U	061346
C24	CAP MONO .1UF 50V 20% Z5U	061346
C25	CAP MONO .1UF 50V 20% Z5U	061346
C26	CAP MONO .1UF 50V 20% Z5U	061346
C29	CAP MONO .1UF 50V 20% Z5U	061346
C30	CAP MONO .1UF 50V 20% Z5U	061346
C31	CAP MONO .1UF 50V 20% Z5U	061346
C34	CAP MONO 100PF 100V 10% NPO	061341
C35	CAP ELECT 470UF 16V	066508
C36	CAP MONO .1UF 50V 20% Z5U	061346
C39	CAP MONO .1UF 50V 20% Z5U	061346
C40	CAP MONO 47PF 200V 10% NPO	061340
C41	CAP MONO 100PF 100V 10% NPO	061341
C43	CAP ELECT 470UF 16V	066508
C44	CAP ELECT 10UF 16V	066580
C45	CAP MONO 47PF 200V 10% NPO	061340

PARTS LIST Con't

INPUT PCB 750571 (Cont'd.)

Ref. No.	Description	Part No.	Ref. No.	Description	Part No.
C46	CAP ELECT 10UF 16V	066580	IC18	IC SPST QUAD FET SWITCHES N O	133580
C47	CAP MONO 100PF 100V 10% NPO	061341	IC19	IC OPERATIONAL AMPLIFIER	133626
C48	CAP ELECT 10UF 16V	066580	IC20	IC OPERATIONAL AMPLIFIER	133626
C49	CAP MONO .1UF 50V 20% Z5U	061346	IC21	IC OPERATIONAL AMPLIFIER	133626
C50	CAP ELECT 10UF 16V	066580	IC22	IC OPERATIONAL AMPLIFIER	133626
C51	CAP MPF 0.033UF 5% 63VDC	064318	IC23	IC OPERATIONAL AMPLIFIER	133626
C52	CAP MPF 0.033UF 5% 63VDC	064318	IC24	IC OPERATIONAL AMPLIFIER	133626
C53	CAP MONO .1UF 50V 20% Z5U	061346	IC32	IC OPERATIONAL AMPLIFIER	133626
C54	CAP ELECT 10UF 16V	066580	IC33	IC OPERATIONAL AMPLIFIER	133626
C55	CAP MONO .1UF 50V 20% Z5U	061346	IC34	IC SHFT REG SER-PAR	133594
C56	CAP MONO 100PF 100V 10% NPO	061341	IC35	IC SHFT REG SER-PAR	133594
C57	CAP MPF 0.01UF 5% 63VDC	064312	IC38	IC SPST QUAD FET SWITCHES N O	133580
C58	CAP MPF 0.01UF 5% 63VDC	064312	IC39	IC SPST QUAD FET SWITCHES N O	133580
C59	CAP MONO .1UF 50V 20% Z5U	061346	J1	JACK RCA 2X2 WHT/RED 14MM	117789
C60	CAP MONO .1UF 50V 20% Z5U	061346	J2	JACK RCA 3X2 WHT/RED 14MM	117790
C61	CAP ELECT 10UF 16V	066580	J3	JACK RCA 3X2 WHT/RED 14MM	117790
C62	CAP ELECT 10UF 16V	066580	J4	JACK RCA 2X2 WHT/RED 14MM	117789
C63	CAP MONO 100PF 100V 10% NPO	061341	J5	CONN XLR FEM HORIZ PCB LATCH	117814
C64	CAP ELECT 10UF 50V	066445	J7	CONN XLR FEM HORIZ PCB LATCH	117814
C65	CAP ELECT 10UF 16V	066580	J9	CONN MALE 10 POS	117260
C66	CAP MONO 100PF 100V 10% NPO	061341	J20	CONN 4 PIN	117215
C67	CAP MONO 100PF 100V 10% NPO	061341	J21_	CONN 8 POS MALE FRICTION LOCK	117275
C68	CAP ELECT 10UF 50V	066445	PCB1	PC BD INPUT	129809
C69	CAP MONO 100PF 100V 10% NPO	061341	Q3	TRANSISTOR NPN SILICON	132317
C70	CAP MONO 220PF 200V 10% NPO	061342	R1	RES MF 100K 1% 1/4W	144528
C71	CAP MONO .1UF 50V 20% Z5U	061346	R3	RES MF 10K 1% 1/4W	144504
C72	CAP MONO 100PF 100V 10% NPO	061341	R5	RES MF 47.5K 1% 1/4W	144526
C98	CAP ELECT 10UF 16V	066580	R6	RES MF 47.5K 1% 1/4W	144526
C104	CAP ELECT 10UF 16V	066580	R7	RES MF 1K 1% 1/4W	144513
C106	CAP ELECT 10UF 16V	066580	R8	RES MF 1K 1% 1/4W	144513
C112	CAP ELECT 10UF 16V	066580	R9	RES MF 20K 1% 1/4W	144524
C114	CAP ELECT 10UF 16V	066580	R10	RES MF 47.5K 1% 1/4W	144526
C115	CAP ELECT 10UF 16V	066580	R11	RES MF 47.5K 1% 1/4W	144526
C116	CAP ELECT 10UF 16V	066580	R12	RES MF 47.5K 1% 1/4W	144526
C118	CAP MONO .1UF 50V 20% Z5U	061346	R13	RES MF 47.5K 1% 1/4W	144526
C119	CAP MONO .1UF 50V 20% Z5U	061346	R14	RES MF 95.3 OHM 1% 1/4W	144572
C130	CAP ELECT 10UF 16V	066580	R15	RES MF 95.3 OHM 1% 1/4W	144572
C131	CAP ELECT 10UF 16V	066580	R16	RES MF 47.5K 1% 1/4W	144526
C132	CAP ELECT 10UF 16V	066580	R17	RES MF 7.5K 1% 1/4W	144571
C134	CAP ELECT 10UF 16V	066580	R18	RES MF 7.5K 1% 1/4W	144571
C144	CAP ELECT 10UF 16V	066580	R19	RES MF 47.5K 1% 1/4W	144526
C145	CAP ELECT 10UF 16V	066580	R20	RES FP 10 OHM 5% 1/4W	137105
C151	CAP MONO .1UF 50V 20% Z5U	061346	R21	RES MF 95.3K 1% 1/4W	144538
D3	DIODE SILICON	070174	R22	RES MF 2.21 OHM 1% 1/4W	144607
D4	DIODE SILICON	070174	R23	RES MF 95.3K 1% 1/4W	144538
	RIVET 1/8X3/16 STEEL	108011	R24	RES MF 2.21 OHM 1% 1/4W	144607
GP1	BRACKET PCB CARD MOUNTING	003611	R25	RES MF 2.21 OHM 1% 1/4W	144607
GP2	BRACKET PCB CARD MOUNTING	003611	R26	RES MF 221 OHM 1% 1/4W	144559
IC1	IC SPST QUAD FET SWITCHES N O	133580	R27	RES MF 221 OHM 1% 1/4W	144559
IC2	IC SPST QUAD FET SWITCHES N O	133580	R28	RES MF 2.21 OHM 1% 1/4W	144607
IC3	IC SPST QUAD FET SWITCHES N O	133580	R29	RES MF 47.5K 1% 1/4W	144526
IC4	IC SPST QUAD FET SWITCHES N O	133580	R30	RES MF 10K 1% 1/4W	144504
IC5	IC SPST QUAD FET SWITCHES N O	133580	R31	RES MF 20K 1% 1/4W	144524
IC6	IC SPST QUAD FET SWITCHES N O	133580	R32	RES MF 20K 1% 1/4W	144524
IC7	IC SPST QUAD FET SWITCHES N O	133580	R33	RES MF 10K 1% 1/4W	144504
IC8	IC SPST QUAD FET SWITCHES N O	133580	R34	RES MF 20K 1% 1/4W	144524
IC13	IC SHFT REG SER-PAR	133594	R35	RES MF 10K 1% 1/4W	144504
IC14	IC SHFT REG SER-PAR	133594	R36	RES MF 10K 1% 1/4W	144504
IC16	IC SPST QUAD FET SWITCHES N O	133580	R37	RES NETWORK 2 X 220K ISO	144678
IC17	IC OPERATIONAL AMPLIFIER	133626	R38	RES MF 47.5K 1% 1/4W	144526

PARTS LIST Con't

INPUT PCB 750571 (Cont'd.)

Ref. No.	Description	Part No.	Ref. No.	Description	Part No.
R39	RES NETWORK 2 X 22K ISO	144689	C19	CAP ELECT 470UF 16V	066508
R40	RES MF 47.5K 1% 1/4W	144526	C20	CAP ELECT 470UF 16V	066508
R41	RES MF 47.5K 1% 1/4W	144526	C21	CAP MONO 390PF 5% 200V	061352
R42	RES MF 47.5K 1% 1/4W	144526	C22	CAP MONO 120P 5% 200V	061351
R43	RES NETWORK 2 X 22K ISO	144689	C23	CAP MONO 560PF 200V 5% NPO	061348
R44	RES MF 47.5K 1% 1/4W	144526	C24	CAP MONO 390PF 5% 200V	061352
R45	RES NETWORK 2 X 22K ISO	144689	C25	CAP MONO 120P 5% 200V	061351
R46	RES MF 47.5K 1% 1/4W	144526	C26	CAP MONO 560PF 200V 5% NPO	061348
R47	RES NETWORK 2 X 22K ISO	144689	C27	CAP MONO 390PF 5% 200V	061352
R48	RES MF 47.5K 1% 1/4W	144526	C28	CAP MONO 120P 5% 200V	061351
R49	RES NETWORK 2 X 22K ISO	144689	C29	CAP MONO 560PF 200V 5% NPO	061348
R50	RES NETWORK 2 X 22K ISO	144689	C30	CAP ELECT 47UF 25V 20% NP	066556
R51	RES NETWORK 2 X 22K ISO	144689	C31	CAP MONO .1UF 50V 20% Z5U	061346
R52	RES MF 47.5K 1% 1/4W	144526	C32	CAP MONO .1UF 50V 20% Z5U	061346
R53	RES NETWORK 2 X 22K ISO	144689	C33	CAP MONO .1UF 50V 20% Z5U	061346
R54	RES MF 47.5K 1% 1/4W	144526	C34	CAP MONO .1UF 50V 20% Z5U	061346
R55	RES MF 100 OHM 1% 1/4W	144568	C35	CAP ELECT 47UF 25V 20% NP	066556
R56	RES MF 47.5K 1% 1/4W	144526	C36	CAP MONO .1UF 50V 20% Z5U	061346
R57	RES MF 47.5K 1% 1/4W	144526	C37	CAP MONO .1UF 50V 20% Z5U	061346
R58	RES MF 47.5K 1% 1/4W	144526	C40	CAP ELECT 47UF 25V 20% NP	066556
R59	RES MF 47.5K 1% 1/4W	144526	C41	CAP ELECT 47UF 25V 20% NP	066556
R60	RES MF 47.5K 1% 1/4W	144526	C42	CAP MONO .1UF 50V 20% Z5U	061346
R61	RES MF 47.5K 1% 1/4W	144526	C43	CAP ELECT 47UF 25V 20% NP	066556
R64	RES MF 100 OHM 1% 1/4W	144568	C44	CAP ELECT 10UF 50V	066445
R71	RES NETWORK 2 X 22K ISO	144689	C45	CAP MONO .1UF 50V 20% Z5U	061346
R78	RES NETWORK 2 X 100 OHM ISO	144680	C46	CAP ELECT 10UF 50V	066445
R86	RES NETWORK 2 X 22K ISO	144689	C47	CAP MONO .1UF 50V 20% Z5U	061346
R89	RES NETWORK 2 X 100 OHM ISO	144680	C48	CAP MONO .1UF 50V 20% Z5U	061346
R110	RES MF 1K 1% 1/4W	144513	C49	CAP ELECT 47UF 25V 20% NP	066556
R111	RES FP 10 OHM 5% 1/4W	137105	C50	CAP MONO 220PF 200V 10% NPO	061342
R112	RES FP 10 OHM 5% 1/4W	137105	C61	CAP MONO .1UF 50V 20% Z5U	061346
R113	RES FP 10 OHM 5% 1/4W	137105	C62	CAP ELECT 10UF 50V	066445
R114	RES FP 10 OHM 5% 1/4W	137105	C63	CAP MONO .1UF 50V 20% Z5U	061346
R116	CAP ELECT 10UF 16V	066580	C64	CAP ELECT 10UF 50V	066445
R117	CAP ELECT 10UF 16V	066580	C67	CAP MONO 22PF 200V 10% NPO	061339
U4	IC 3-8 LINE DEC LATCH	133170	C68	CAP MONO 1000PF 50V 10% NPO	061344
U1	IC DUAL OPERATIONAL AMPLIFIER	133578	C69	CAP MONO 10PF 200V 10% NPO	061338
U2	IC OPERATIONAL AMP LOW NOISE	133565	C70	CAP MONO 10PF 200V 10% NPO	061338
U3	IC OPERATIONAL AMP LOW NOISE	133565	C71	CAP MONO 22PF 200V 10% NPO	061339
	ASSY INSERTION PCB INPUT	702413	C72	CAP MONO 22PF 200V 10% NPO	061339
			C73	CAP MONO .1UF 50V 20% Z5U	061346
			C75	CAP MONO .1UF 50V 20% Z5U	061346
			C76	CAP MONO .1UF 50V 20% Z5U	061346
			C77	CAP MONO .1UF 50V 20% Z5U	061346
			C78	CAP MONO .1UF 50V 20% Z5U	061346
			C79	CAP MONO 33PF 200V 5% NPO T/R	061347
			C80	CAP MONO 33PF 200V 5% NPO T/R	061347
			C110	CAP MONO .1UF 50V 20% Z5U	061346
			C111	CAP MONO .1UF 50V 20% Z5U	061346
			C112	CAP MONO .1UF 50V 20% Z5U	061346
			C113	CAP MONO .1UF 50V 20% Z5U	061346
			C114	CAP MONO .1UF 50V 20% Z5U	061346
			C115	CAP MONO .1UF 50V 20% Z5U	061346
			C116	CAP MONO .1UF 50V 20% Z5U	061346
			C117	CAP MONO .1UF 50V 20% Z5U	061346
			C118	CAP MONO .1UF 50V 20% Z5U	061346
			C119	CAP MONO .1UF 50V 20% Z5U	061346
			C170	CAP ELECT 100UF 25V	066573
			C174	CAP ELECT 100UF 25V	066573
			HS1	HEATSINK T0220	080014

8 COMPONENT VIDEO PCB 750576

BRKT1	BRACKET PCB CARD MOUNTING	003611
C1	CAP MPF 0.047UF 5% 63VDC	064320
C2	CAP MPF 0.047UF 5% 63VDC	064320
C3	CAP MPF 0.047UF 5% 63VDC	064320
C4	CAP ELECT 10UF 50V	066445
C5	CAP MONO 220PF 200V 10% NPO	061342
C6	CAP MPF 0.047UF 5% 63VDC	064320
C7	CAP MPF 0.047UF 5% 63VDC	064320
C8	CAP MPF 0.047UF 5% 63VDC	064320
C9	CAP MPF 0.047UF 5% 63VDC	064320
C10	CAP ELECT 47UF 25V 20% NP	066556
C11	CAP ELECT 47UF 25V 20% NP	066556
C12	CAP MPF 0.047UF 5% 63VDC	064320
C13	CAP MPF 0.047UF 5% 63VDC	064320
C14	CAP MPF 0.047UF 5% 63VDC	064320
C15	CAP MPF 0.047UF 5% 63VDC	064320
C16	CAP MPF 0.068UF 5% 63VDC	064323
C17	CAP MPF 0.047UF 5% 63VDC	064320

PARTS LIST Con't

COMPONENT VIDEO PCB 750576 (Cont'd.)

Ref. No.	Description	Part No.	Ref. No.	Description	Part No.
HS2	HEATSINK T0220	080014	R27	RES MF 75 OHM 1% 1/4W	144644
HS3	HEATSINK T0220	080014	R28	RES MF 4.75 OHM 1% 1/4W	144658
IC5	IC PROG VIDEO CPLD 133660	133661	R29	RES MF 22.1 OHM 1% 1/4W	144554
IC9	IC 100MA I FEEDBACK AMP	133579	R30	RES MF 10K 1% 1/4W	144504
IC10	IC 100MA I FEEDBACK AMP	133579	R31	RES MF 10 OHM 1% 1/4W	144553
IC12	IC 100MA I FEEDBACK AMP	133579	R32	RES MF 10 OHM 1% 1/4W	144553
IC13	IC 100MA I FEEDBACK AMP	133579	R33	RES MF 22.1 OHM 1% 1/4W	144554
IC15	IC REGULATOR 3.3V LOW DROPOUT	133630	R35	RES MF 18.2 OHM 1% 1/4W	144659
(IC15)	IC SOCKET 84 PIN PLCC	178185	R36	RES MF 56.2 OHM 1% 1/4W	144660
IC22	IC SHFT REG SER-PAR	133594	R37	RES MF 18.2 OHM 1% 1/4W	144659
IC36	IC REGULATOR +5V	133569	R38	RES MF 56.2 OHM 1% 1/4W	144660
J1	CONN 2X7 SHROUDER HEADER	117970	R39	RES MF 18.2 OHM 1% 1/4W	144659
J2	CONN 2X5 SHROUDER HEADER	117969	R40	RES MF 56.2 OHM 1% 1/4W	144660
J3	CONN 4 PIN	117215	R41	RES MF 18.2 OHM 1% 1/4W	144659
J4	CONN MALE 7 PIN	117217	R42	RES MF 56.2 OHM 1% 1/4W	144660
J5	CONN HEADER 10 POS	117333	R43	RES MF 18.2 OHM 1% 1/4W	144659
J6	CONN 2 PIN MALE	117213	R44	RES MF 56.2 OHM 1% 1/4W	144660
J7	CONN 4 PIN	117215	R45	RES MF 18.2 OHM 1% 1/4W	144659
J8	CONN MALE 6 POS FRICTION LOCK	117218	R46	RES MF 56.2 OHM 1% 1/4W	144660
J9	CONN 2 PIN MALE	117213	R50	RES MF 1.1K 1% 1/4W	144514
J10	CONN 2X13 SHROUDED HEADER	117971	R53	RES MF 100K 1% 1/4W	144528
J17	RCA JACK 2 X 3 RBG	117840	R54	RES MF 10K 1% 1/4W	144504
J19	RCA JACK 2 X 3 RBG	117840	R55	RES MF 10 OHM 1% 1/4W	144553
J20	CONN MALE 10 POS RIGHT ANGLE	117260	R60	RES FP 10 OHM 5% 1/4W	137105
J21	CONN MALE 12 POS ASSY	117220	R61	RES MO 4.7 OHM 5% 1W	144656
L1	BEADS FERRITE LEADED	076023	R62	RES MO 4.7 OHM 5% 1W	144656
L2	BEADS FERRITE LEADED	076023	R63	RES MF 806 OHM 1% 1/4W	144512
L3	CHOKE RF 3.3UH 10%	122398	R65	RES MF 4.75K 1% 1/4W	144520
L4	CHOKE RF 3.3UH 10%	122398	R66	RES MF 4.75K 1% 1/4W	144520
L5	CHOKE RF 3.3UH 10%	122398	R70	RES MF 10K 1% 1/4W	144504
L6	CHOKE RF 3.3UH 10%	122398	R71	RES MF 10K 1% 1/4W	144504
L7	CHOKE 8.2UF 5% CC	122399	R72	RES MF 10K 1% 1/4W	144504
L8	CHOKE RF 3.3UH 10%	122398	R73	RES MF 806 OHM 1% 1/4W	144512
L9	CHOKE RF 3.3UH 10%	122398	R74	RES MF 806 OHM 1% 1/4W	144512
L10	BEADS FERRITE LEADED	076023	R75	RES MF 10K 1% 1/4W	144504
L11	CHOKE RF 3.3UH 10%	122398	R76	RES MF 806 OHM 1% 1/4W	144512
L12	RES CF 0 OHM 5% 1/4W	141554	R77	RES MF 806 OHM 1% 1/4W	144512
L13	CHOKE 8.2UF 5% CC	122399	R78	RES MF 75 OHM 1% 1/4W	144644
L18	INDUCTOR 2.7UH	122395	R79	RES MF 75 OHM 1% 1/4W	144644
L19	INDUCTOR 2.7UH	122395	R80	RES MF 75 OHM 1% 1/4W	144644
L20	INDUCTOR 2.7UH	122395	R88	RES MF 100K 1% 1/4W	144528
L21	INDUCTOR 2.7UH	122395	R89	RES MF 4.75K 1% 1/4W	144520
L22	INDUCTOR 2.7UH	122395	R90	RES MF 4.75K 1% 1/4W	144520
L23	INDUCTOR 2.7UH	122395	R91	RES MF 10K 1% 1/4W	144504
Q4	IC VOLTAGE REGULATOR -5.2V	133567	R94	RES CF 0 OHM 5% 1/4W	141554
R1	RES MF 18.2 OHM 1% 1/4W	144659	R96	RES CF 0 OHM 5% 1/4W	141554
R2	RES MF 4.75K 1% 1/4W	144520	R92	RES MF 10K 1% 1/4W	144504
R5	RES NETWORK 8 X 330 ISO	144679	R98	RES MF 56.2 OHM 1% 1/4W	144660
R9	RES MF 10K 1% 1/4W	144504	R99	RES MF 18.2 OHM 1% 1/4W	144659
R10	RES MF 10K 1% 1/4W	144504	U2	IC QUAD ANALOG SWITCH HI SPEED	133342
R11	RES MF 10K 1% 1/4W	144504	Y1	CRYSTAL 17.7344 FUND	180076
R14	RES MF 806 OHM 1% 1/4W	144512	Y2	CRYSTAL 27MHZ 3RD HARMONIC	180080
R15	RES MF 806 OHM 1% 1/4W	144512	Y3	CRYSTAL 24.576MHZ	180075
R20	RES MF 75 OHM 1% 1/4W	144644	Y4	CRYSTAL 14.3181MHZ FUND	180078
R22	RES MF 75 OHM 1% 1/4W	144644	SCR MS 6-32X1/4 PH PN CLR	400186	
R23	RES MF 75 OHM 1% 1/4W	144644	NUT KEP 6032 SPECIAL	402045	
R24	RES MF 22.1K 1% 1/4W	144564	ASSY INSERT PCB COMPONET VIDEO	702410	
R25	RES MF 75 OHM 1% 1/4W	144644	ASSY PCB COMPON VIDEO SM PARTS	750559	
R26	RES MF 806 OHM 1% 1/4W	144512			

PARTS LIST Con't

9

HDMI POWER SUPPLY PCB 750599

Ref. No.	Description	Part No.
C1	CAP MPF 0.1UF 100V	064338
C2	CAP ELECT 18000UF 16V	066460
C3	CAP MONO .1UF 50V 20% Z5U	061346
C4	CAP ELECT 100UF 25V	066573
C5	CAP MONO .1UF 50V 20% Z5U	061346
C6	CAP ELECT 1000UF 25V	066513
D1	DIODE RECT SI 3A 100V	070176
D2	DIODE RECT SI 3A 100V	070176
D3	DIODE RECT SI 3A 100V	070176
D4	DIODE RECT SI 3A 100V	070176
D5	DIODE SILICON	070174
	ISOSTRATE POWER SUPPLY	084208
HS1	SUB HEATSINK	018751
IC1	IC 5V 1.5A REGULATOR LOW DROP	133610
IC2	IC REGULATOR 3.3V LOW DROPOUT	133630
J1	CONN 4 PIN	117215
J2	CONN MALE 5 PIN 0.1 POST ASSY	117216
K1	RELAY POWER TV5 24V	087069
	PC BD POWER SUPPLY HDMI	129788
	SCR MS 6-32X1/4 SEMS PH PN CLR	400250
	CLIP ANGLE RIGHT	414141

10

HDMI MODULE PCB 750623

	BRACKET PCB CARD MOUNTING	003611
	HDMI SWITCH MODULE	320276
	SCR MS 6-32X1/4 SEMS PH PN CLR	400250
	NUT KEP 6-32	402003

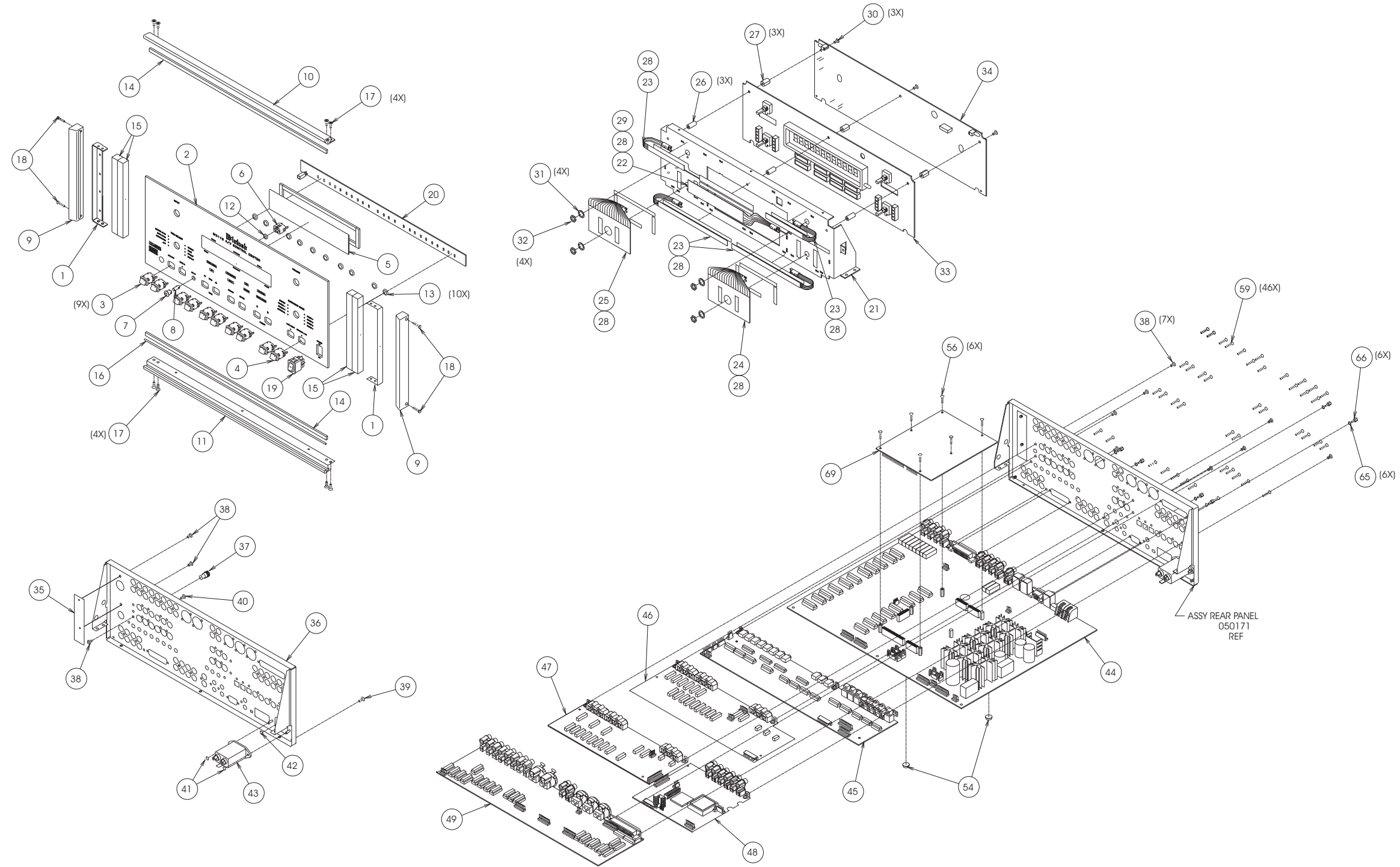
11

BALANCED OUTPUT PCB 750608

C37	CAP ELECT 10UF 50V	066445
C38	CAP ELECT 10UF 50V	066445
C42	CAP MONO .1UF 50V 20% Z5U	061346
C73	CAP ELECT 10UF 50V	066445
C74	CAP ELECT 10UF 50V	066445
C75	CAP ELECT 10UF 50V	066445
C76	CAP ELECT 10UF 50V	066445
C77	CAP ELECT 10UF 50V	066445
C78	CAP ELECT 10UF 50V	066445
C79	CAP MONO .1UF 50V 20% Z5U	061346
C80	CAP MONO .1UF 50V 20% Z5U	061346

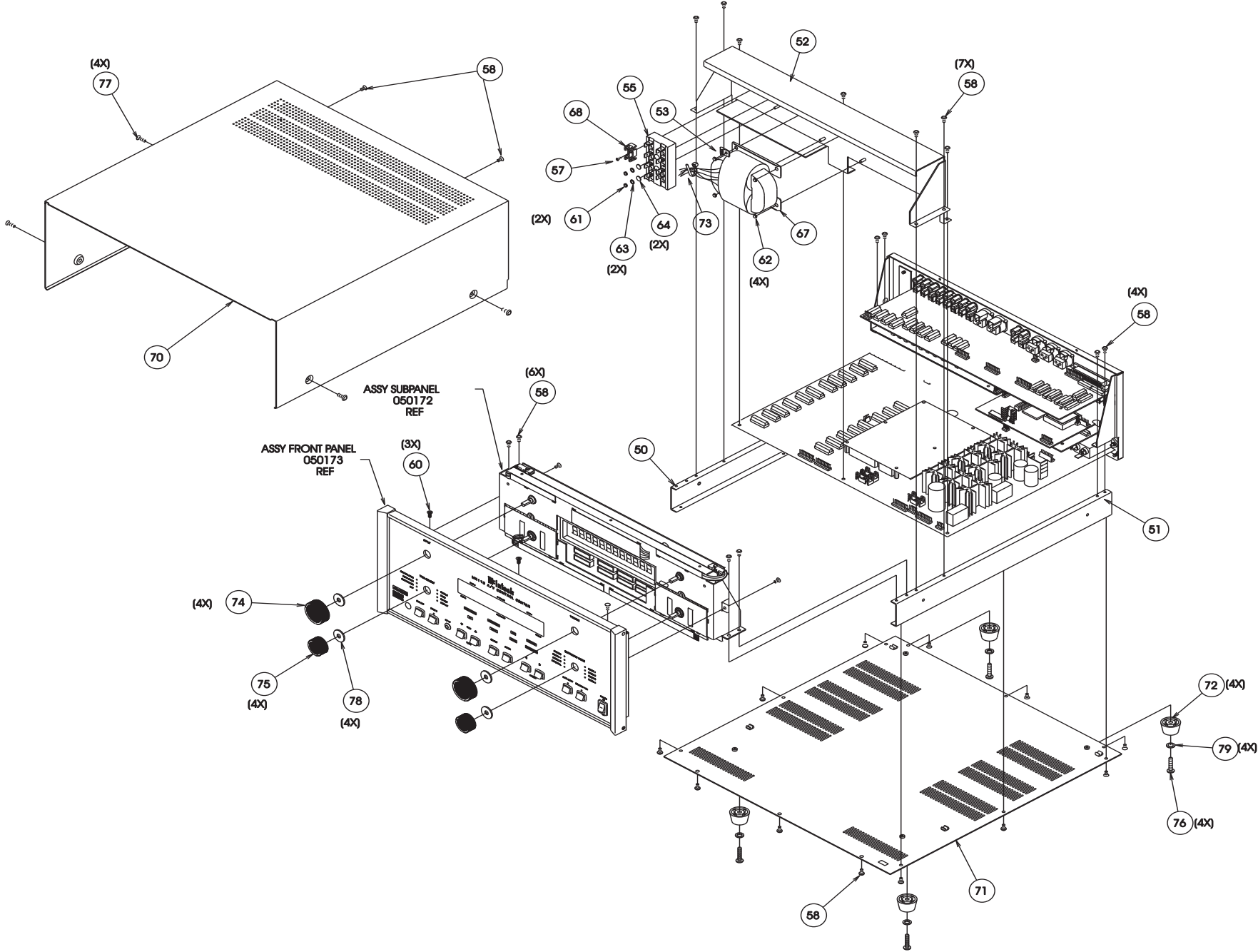
Ref. No.	Description	Part No.
C81	CAP ELECT 10UF 50V	066445
C82	CAP ELECT 10UF 50V	066445
C83	CAP ELECT 10UF 50V	066445
C84	CAP ELECT 10UF 50V	066445
C85	CAP MONO .1UF 50V 20% Z5U	061346
D5	DIODE SILICON	070174
D6	DIODE SILICON	070174
D7	DIODE SILICON	070174
J1	CONN 4 POS MALE MTS100 NORMAL	117215
J6	CONN MALE 9 POS FRICTION LOCK	117244
J10	RECEPTACLE XLR MALE	117686
J11	RECEPTACLE XLR MALE	117686
J12	RECEPTACLE XLR MALE	117686
K19	RELAY REED FORM 1A 5V 500 OHMS	087050
K20	RELAY REED FORM 1A 5V 500 OHMS	087050
K22	RELAY REED FORM 1A 5V 500 OHMS	087050
PCB1	PC BD BALANCED OUT	129791
R38	RES MF 221K 1% 1/4W	144629
R40	RES MF 20K 1% 1/4W	144524
R41	RES MF 221K 1% 1/4W	144629
R42	RES MF 20K 1% 1/4W	144524
R44	RES MF 221K 1% 1/4W	144629
R46	RES MF 100 OHM 1% 1/4W	144568
R48	RES MF 100 OHM 1% 1/4W	144568
R52	RES MF 22.1K 1% 1/4W	144564
R54	RES MF 221K 1% 1/4W	144629
R56	RES MF 22.1K 1% 1/4W	144564
R57	RES MF 20K 1% 1/4W	144524
R58	RES MF 20K 1% 1/4W	144524
R59	RES MF 100 OHM 1% 1/4W	144568
R60	RES MF 100 OHM 1% 1/4W	144568
R61	RES MF 20K 1% 1/4W	144524
R62	RES MF 100 OHM 1% 1/4W	144568
R68	RES MF 221K 1% 1/4W	144629
R63	RES MF 20K 1% 1/4W	144524
R66	RES MF 22.1K 1% 1/4W	144564
R65	RES MF 100 OHM 1% 1/4W	144568
R69	RES MF 221K 1% 1/4W	144629
U6	IC DUAL OPERATIONAL AMPLIFIER	133578
U7	IC DUAL OPERATIONAL AMPLIFIER	133578
	ASSY INSERT PCB BALANCED OUT	702422

MX120 EXPLODED VIEW



MX120 EXPLODED VIEW and PARTS LIST

Ref No. Description Part No.



REPACKING INSTRUCTION

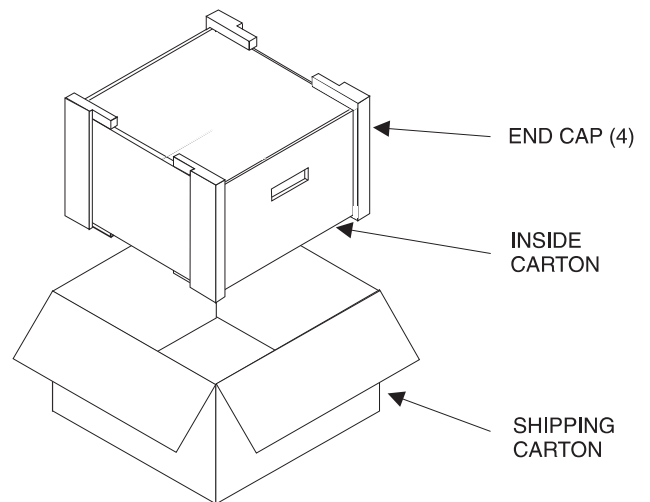
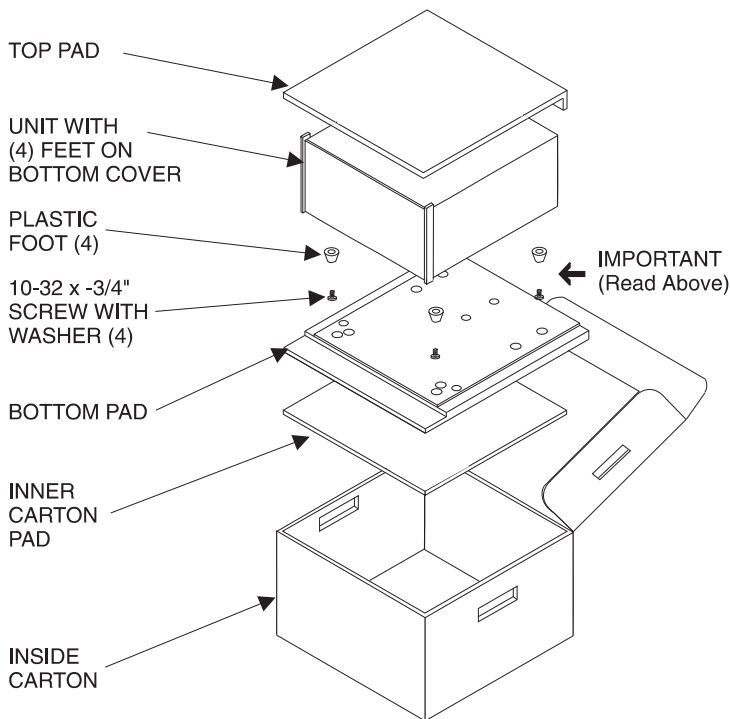
In the event it is necessary to repack the unit for shipment, the unit must be packed exactly as shown below.

IMPORTANT - The four plastic feet must be attached to the bottom of the unit so they will locate in the four holes of the bottom pad. Failure to do this will result in shipping damage.

If a shipping carton or any of the interior parts is needed, please call or write the Customer Service Department of McIntosh Laboratory. Order parts from the accompanying list by part number.

Use the original shipping carton and interior parts only if they are in good serviceable condition.

Qty.	Part No.	Description
1	033888	Shipping carton only
4	033887	Foam end cap
1	033697	Inside carton only
1	033725	Top pad
1	034301	Bottom pad
4	017937	Plastic foot
4	400159	#10-32 x 3/4" Machine screw
4	404080	#10 x 7/16" Flat washer



MX120

A/V CONTROL CENTER

SERVICE MANUAL

SERIAL NO. XN1001 And Above



The continuous improvement of its products is the policy of McIntosh Laboratory Incorporated, who reserve the right to improve design without notice. Because of the constant upgrading of McIntosh products' circuitry and components, the Company cannot insure, and does not warrant, the accuracy of the within schematic material, which is intended for information only.