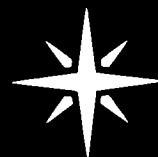


236

SERVICE
MANUAL **2330B**



marantz

model 2330B

Stereophonic Receiver

TABLE OF CONTENTS

Section	Title	Page
1.	P.W. BOARDS	1
2.	TEST EQUIPMENT REQUIRED FOR SERVICING	1
3.	AM ALIGNMENT PROCEDURES	2
3.1	AM IF Alignment	2
3.2	AM Frequency, Range and Tracking Alignment	2
3.3	AM Signal Strength Meter Alignment	2
4.	FM ALIGNMENT PROCEDURES	2
4.1	FM Frequency Range and Tracking Alignment	2
4.2	Stereo Separation Alignment	2
4.3	Muting Circuit Alignment	2
4.4	Dolby FM Tape Output Setting	2
5.	AUDIO ADJUSTMENT	2
6.	VOLTAGE CONVERSION FOR EUROPEAN MODEL	3
7.	DIAGRAMS	5
7.1	Block Diagram	5
7.2	Connection Diagram - U.S.A. & Canada	7
7.3	Connection Diagram - Europe	9
8.	SCHEMATIC DIAGRAM AND COMPONENT LOCATIONS	11
8.1	AM/FM Front End Circuit Board P100	11
8.2	AM/FM IF & MPX Decoder Circuit Board P200	12
8.3	Phono Amp Circuit Board P400	13
8.4	Main Amp Circuit Board P700	14
8.5	Power Supply and Protection Relay Circuit Board P800	15
8.6	Pre and Tone Amp Circuit Board PE01	16
8.7	Filter, Tape Monitor and Tape Copy Switches Circuit Board PH01	17
8.8	Dolby Socket Circuit Board PK01 - U.S.A. & Canada	18
8.9	Function Lamp Circuit Board PY01	18
8.10	Dial Lamp Circuit Board PZ01	18
8.11	FM Antenna Balun and Muting Level Circuit Board PC01	18
8.12	FM Muting, Multipath and Speaker Switches Circuit Board PU01	19
9.	MAJOR COMPONENT LOCATIONS	20
9.1	Cabinet - Front View	20
9.2	Chassis - Top View	20
9.3	Cabinet - Rear View	21
9.4	Chassis - Bottom View	21
10.	EXPLODED VIEWS	22
10.1	Rear Panel Exploded View - U.S.A. & Canada	22
10.2	Rear Panel Exploded View - Europe	22
10.3	Front Panel Exploded View	23
10.4	Chassis Exploded View	25
10.5	Packing Material Exploded View	27
11.	PARTS LIST	28
12.	TECHNICAL SPECIFICATIONS	41
13.	SCHEMATIC DIAGRAMS	43

INTRODUCTION

This service manual was prepared for use by Authorized Warranty Stations and contains service information for the Marantz Model 2330B Stereophonic Receiver.

Servicing information and voltage data included in this manual are intended for use by the knowledgeable and experienced technician only. All instructions should be read carefully. No attempt should be made to proceed without a good understanding of the operation of the receiver.

The parts list furnishes information by which replacement part may be ordered from the Marantz Company. A simple description is included for parts which can be usually obtained through local suppliers.

1. P.W. BOARDS

As can be seen from the circuit diagram, the chassis of the Model 2330B consists of the following units. Each unit mounted on a printed circuit board is drawn within bold dotted-line block on the circuit diagram.

1. AM/FM Front End . . . Mounted on P.W. Board P100
2. AM/FM IF & MPX . . . Mounted on P.W. Board P200
3. Phono Amplifier Mounted on P.W. Board P400
4. Main Amplifier Mounted on P.W. Board P700
5. Power Supply & Protection
Relay Circuit Mounted on P.W. Board P800
6. Pre & Tone Amplifier . Mounted on P.W. Board PE01
7. Filter, Tape Monitor &
Tape Copy Switches . . . Mounted on P.W. Board PH01
8. Dolby Socket Mounted on P.W. Board PK01
9. Function Lamp Mounted on P.W. Board PY01
10. Dial Lamp Mounted on P.W. Board PZ01
11. FM Muting, Multipath &
Speaker Switches Mounted on P.W. Board PU01
12. FM Antenna Balun &
Muting Level Mounted on P.W. Board PC01
13. Fuse Mounted on P.W. Board PP01

2. TEST EQUIPMENT REQUIRED FOR SERVICING

Table 1 lists the test equipment required for servicing the Model 2330B Stereophonic Receiver.

Item	Manufacturer and Model No.	Use
AM Signal Generator		Signal source for AM alignment
Test Loop		Use with AM Signal Generator
FM Signal Generator MPX Signal Generator	Sound Technology Model 1000A	Signal source for FM alignment Stereo separation alignment and trouble shooting
Distortion Analyzer Audio Oscillator AC VTVM	Sound Technology Model 1700A	Distortion measurements Sinewave and squarewave signal source Voltage measurements (AC)
Oscilloscope	Tektronix Model T932 Philips Model 3232	Waveform analysis and trouble shooting and ASO alignment
Frequency Counter	Fluke Model 1900A	MPX Oscillator adjustment (VCO)
Circuit Tester		Trouble shooting
DC VTVM	Fluke Model 8000 "Digital" Simpson Model 313, Triplet Model 801	Voltage measurements (DC)
AC Wattmeter	Simpson Model 1379	Monitors primary power to amplifier
AC Ammeter	Commercial Grade (1-10A)	Monitors amplifier output under short circuit condition
Line Voltmeter	Simpson Model 1359	Monitors potential of primary power to amplifier
Variable Autotransformer	Superior Electronic Co., Powerstat Model 116B-10A	Adjusts level of primary power to amplifier
Shorting Plug	Use phono plug with 600-ohm across center pin and shell	Shorts amplifier input to eliminate noise pickup
Output Load (8 ohms, 0.5%, 100W)	Commercial Grade	Provides 8-ohm load for amplifier output termination
Output Load (4 ohms, 0.5%, 100W)	Commercial Grade	Provides 4-ohm load for amplifier output termination

Table 1. Test Equipment Required for Servicing

3. AM ALIGNMENT PROCEDURES

3.1 AM IF ALIGNMENT

1. Connect a sweep generator to the J155 and an alignment scope to the test point B.
2. Rotate each core of IF transformers L155 and L156 for maximum height and flat top symmetrical response.

3.2 AM FREQUENCY RANGE AND TRACKING ALIGNMENT

1. Set an AM signal generator to 515 kHz. Turn the tuning capacitor fully closed (place the tuning pointer at the low end) and adjust the oscillator coil L153 for maximum audio output.
2. Set the signal generator to 1650 kHz. Place the tuning pointer in the high frequency end and adjust the oscillator trimmer on the oscillator tuning capacitor for maximum audio output.
3. Repeat steps 1 and 2 above until no further adjustment is necessary.
4. Set the generator to 600 kHz and tune the receiver to the same frequency and adjust a slug core of AM ferrite-rod antenna L001 and RF coil L152 for maximum output.
5. Set the generator to 1400 kHz and tune the receiver to the same frequency and adjust both trimming capacitors of antenna and RF tuned circuit for maximum output.
6. Repeat steps 4 and 5 until no further adjustment is necessary.

NOTE: During tracking alignment reduce the signal generator output as necessary to avoid AGC action.

3.3 AM SIGNAL STRENGTH METER ALIGNMENT

Set an AM signal generator to 1000 kHz at 5 μV , and adjust R157 so that the signal strength meter may read 90% of the full scale.

4. FM ALIGNMENT PROCEDURES

4.1 FM FREQUENCY RANGE AND TRACKING ALIGNMENT

1. Connect an FM signal generator to the FM ANTENNA terminals and an oscilloscope and an audio distortion analyzer to the TAPE MONITOR OUT jacks on the rear panel.
2. Set the signal generator to 87.4 MHz and provide about 3 to 5 μV . Place the tuning pointer at the low frequency end by rotating the tuning knob and adjust the core of oscillator coil L105 to obtain maximum audio output.
3. Set the signal generator to 109 MHz and provide about 3 to 5 μV output. Rotate the tuning knob and place the tuning pointer at the high frequency end and adjust the trimming capacitor CF04 for maximum output.
4. Repeat steps 2 and 3 above until no further adjustment is necessary.
5. Set the signal generator to 90 MHz and tune the receiver to the same frequency. Decrease signal generator output until the audio output level decreases with the decreasing generator output. Adjust the antenna coil L101, RF coils L102, L103 and L104 and IF transformer L106 for minimum audio distortion.

6. Set the signal generator to 106 MHz and tune the receiver to the same frequency. After the trimming capacitor CF01, CF02 and CF03 for minimum distortion.
7. Repeat steps 5 and 6 above until no further adjustment is necessary.
8. Adjust the primary core (lower) of discriminator transformer L203 until the center tuning meter pointer indicates its center with no signal applied. Set the FM signal generator to 98 MHz and increase its output level to 1 μV and tune the receiver to the same frequency so that the center tuning meter pointer indicates its center. Adjust the secondary core (upper) of L203 for minimum distortion.
9. Set the signal generator to 98 MHz at 100 μV , and adjust R227 so that the signal strength meter may read 90% of the full scale.

4.2 STEREO SEPARATION ALIGNMENT

1. Set the FM signal generator to provide 1 μV at 98 MHz. Tune the receiver to the same frequency so that the center tuning meter pointer indicates its center.
2. Turn the signal generator modulation off (with the pilot signal turned off), connect a frequency counter to test point J318, and adjust R307 until the frequency counter may precisely read 76 kHz.
3. Modulate the signal generator with stereo composite signal consisting only of subchannel signal (of course, a pilot signal must be included).
4. Adjust the trimming resistor R316 for maximum and same separation in both channels.

4.3 MUTING CIRCUIT ALIGNMENT

1. Set the FM signal generator to provide 30 μV or more at 98 MHz and tune the receiver to the same frequency correctly.
2. Set the semifixed resistor RC01 to maximum position.
3. Depress the FM MUTING pushswitch.
4. Adjust the semifixed resistor RC02 for muting "on".

4.4 DOLBY FM TAPE OUTPUT SETTING

1. Set the modulation of the FM signal generator to 400 Hz, 50% (± 37.5 kHz Dev.).
2. Set the signal generator to provide 1 μV at 98 MHz. Tune the receiver to the same frequency so that the center tuning meter pointer indicates its center.
3. Turn the SELECTOR switch to the FM 25 μS position. Set the semifixed resistors R332 and R333 so that the output of the TAPE MONITOR OUT jacks R and L become 580 mV at VTVM.

5. AUDIO ADJUSTMENT

1. Main Amplifier DC off-set alignment
Connect a DC voltmeter with 0.5 or 1 V range between the speaker terminals and adjust the trimming resistor R726 for "zero" DC output on the meter. Similarly, adjust R776 for the other channel.

NOTE: During this alignment no load should be connected to the speaker terminals.

2. Idle-current adjustment

Connect a VTVM between pin terminals J741 and J742.
Next, adjust the trimming resistor R727 so that the VTVM reads 16 mV DC.

3. Connect a VTVM between pin terminals J743 and J744.
Similarly, adjust R777 for the other channel.

6. VOLTAGE CONVERSION FOR EUROPEAN MODEL

The European version of the Model 2330B is equipped with a universal power transformer that may be adjusted to operate at 110 V, 120 V, 220 V, or 240 V AC at 50 to 60 Hz. To convert the unit to a different power source voltage, reposition conversion plug as shown in Figure 1.

CAUTION: DISCONNECT POWER SUPPLY CORD FROM AC OUTLET BEFORE CONVERTING VOLTAGE.

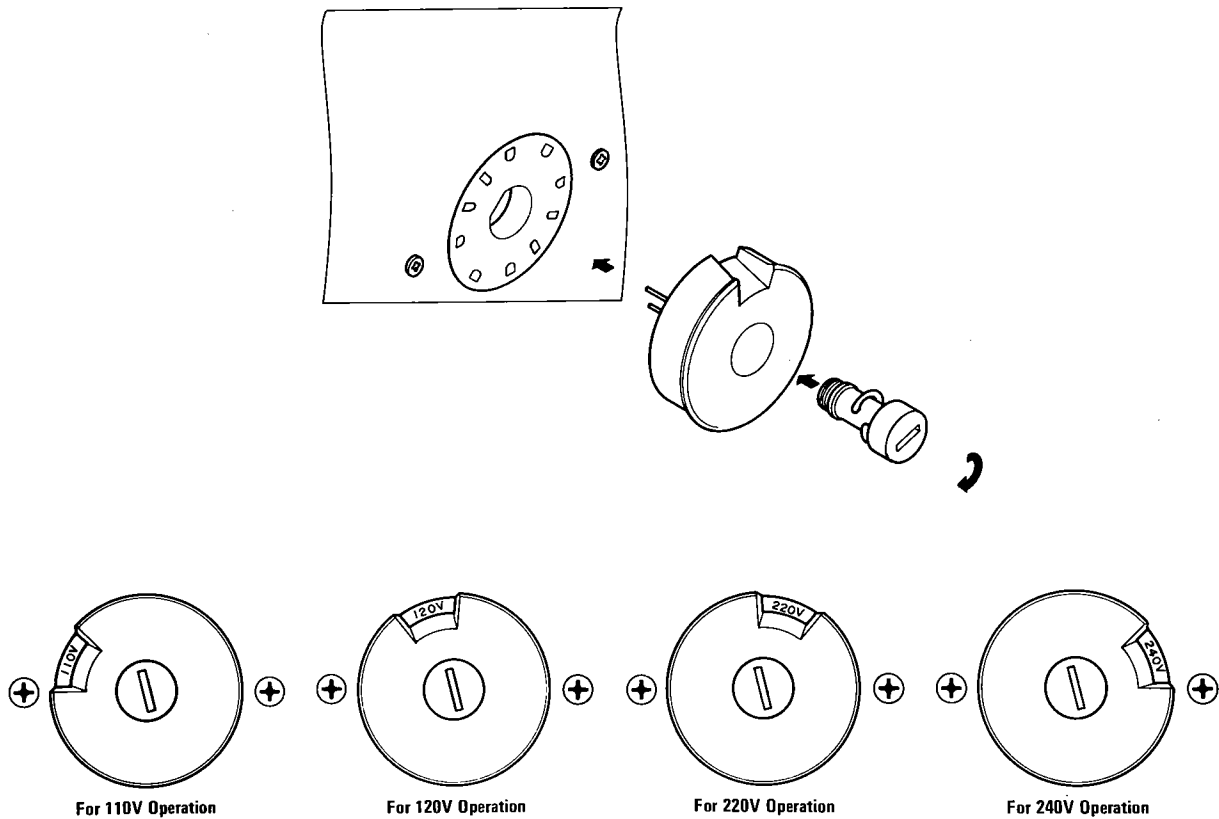


Figure 1. Voltage Conversion Chart

FTZ REGULATION

Instruction for the use in the range other than specified in FTZ codes.

Achtung für die Leute, die in dem Gebiet wohnen, wo die FTZ-Bestimmungen vorherrschend sind.

Sollte das Gerät auch für Frequenzen ausserhalb des in den FTZ-Bestimmungen angegebenen Bereiches empfangsbereit sein, bitten wir, den Bereich durch Nachstellen des Kernes in der Oszillatorspule (in der Abbildung mit "FTZ" gekennzeichnet) so zu korrigieren, dass er den Bestimmungen entspricht.

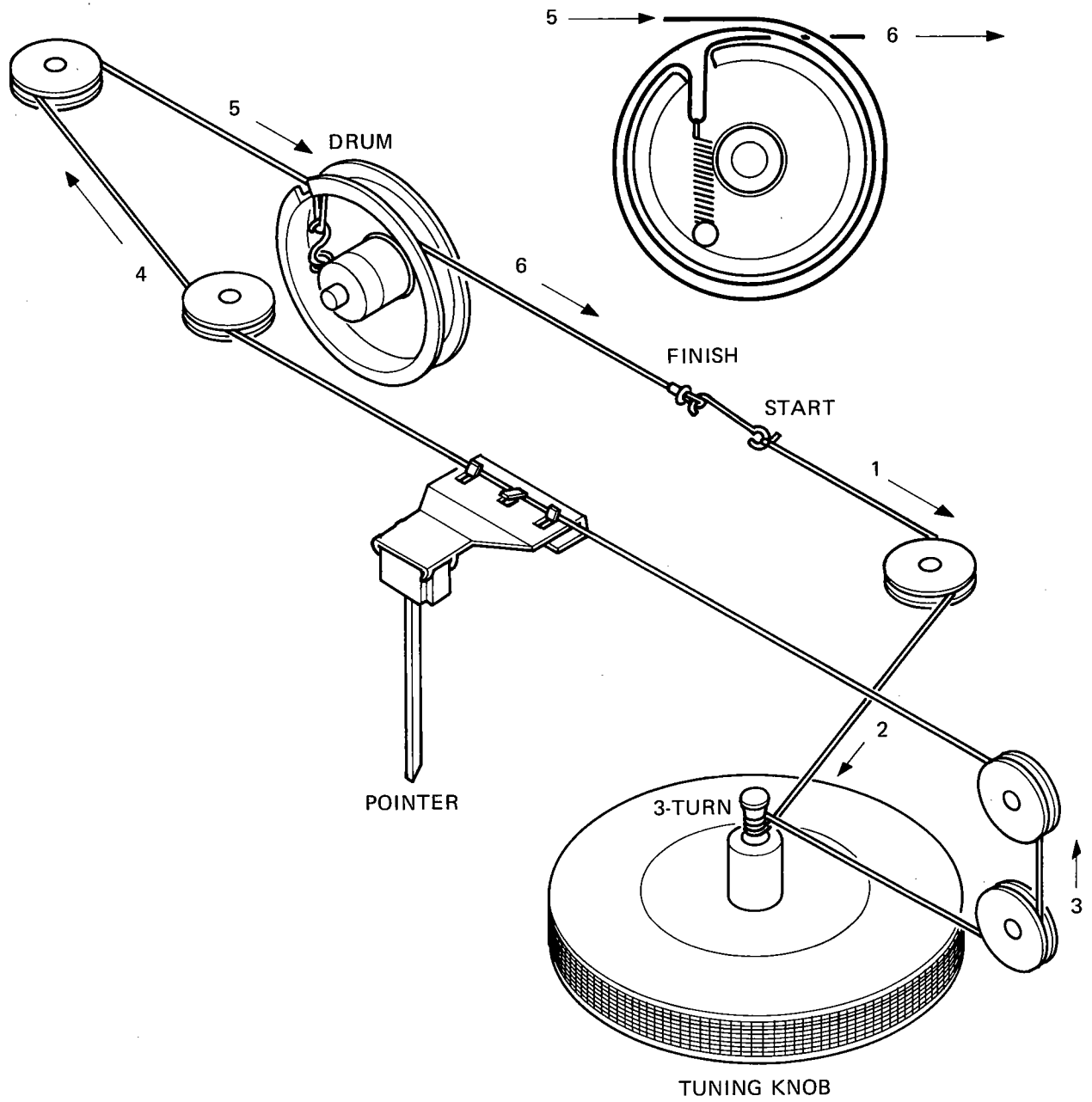
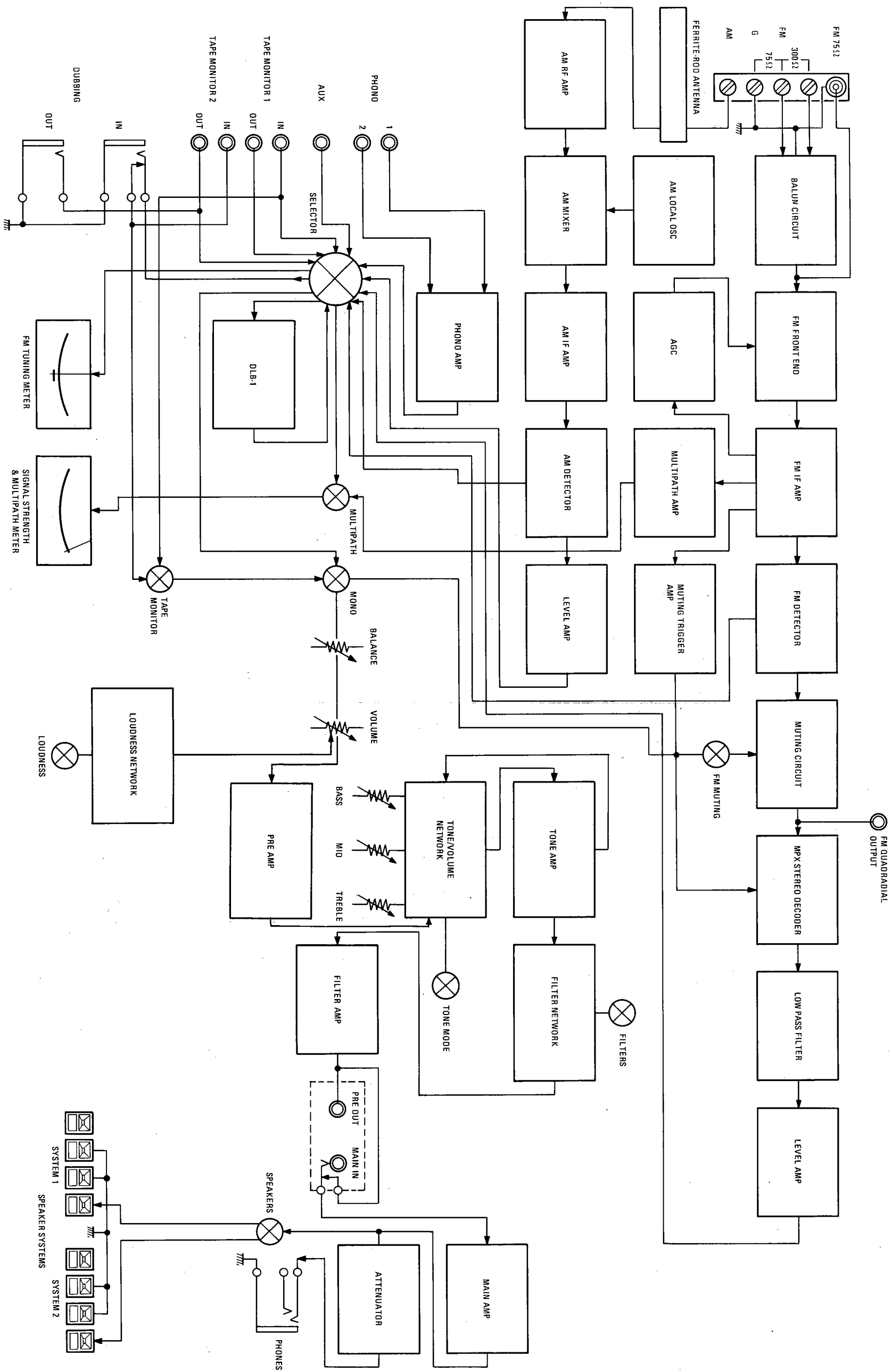
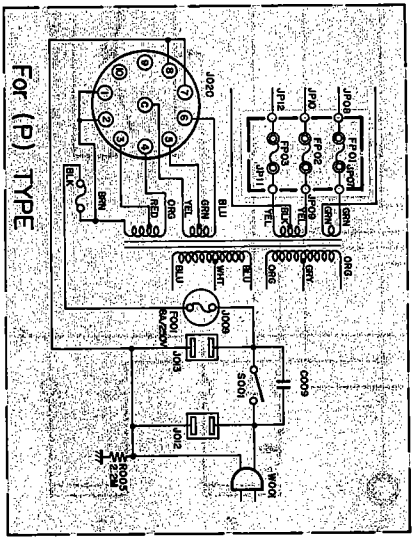
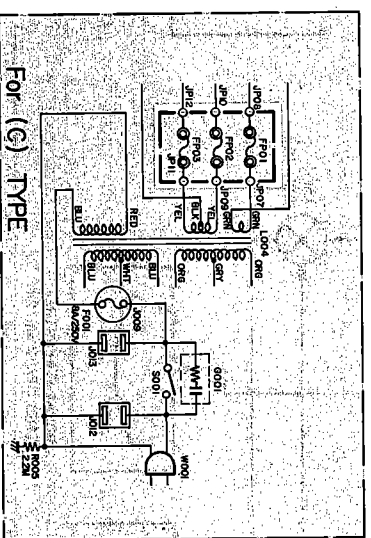
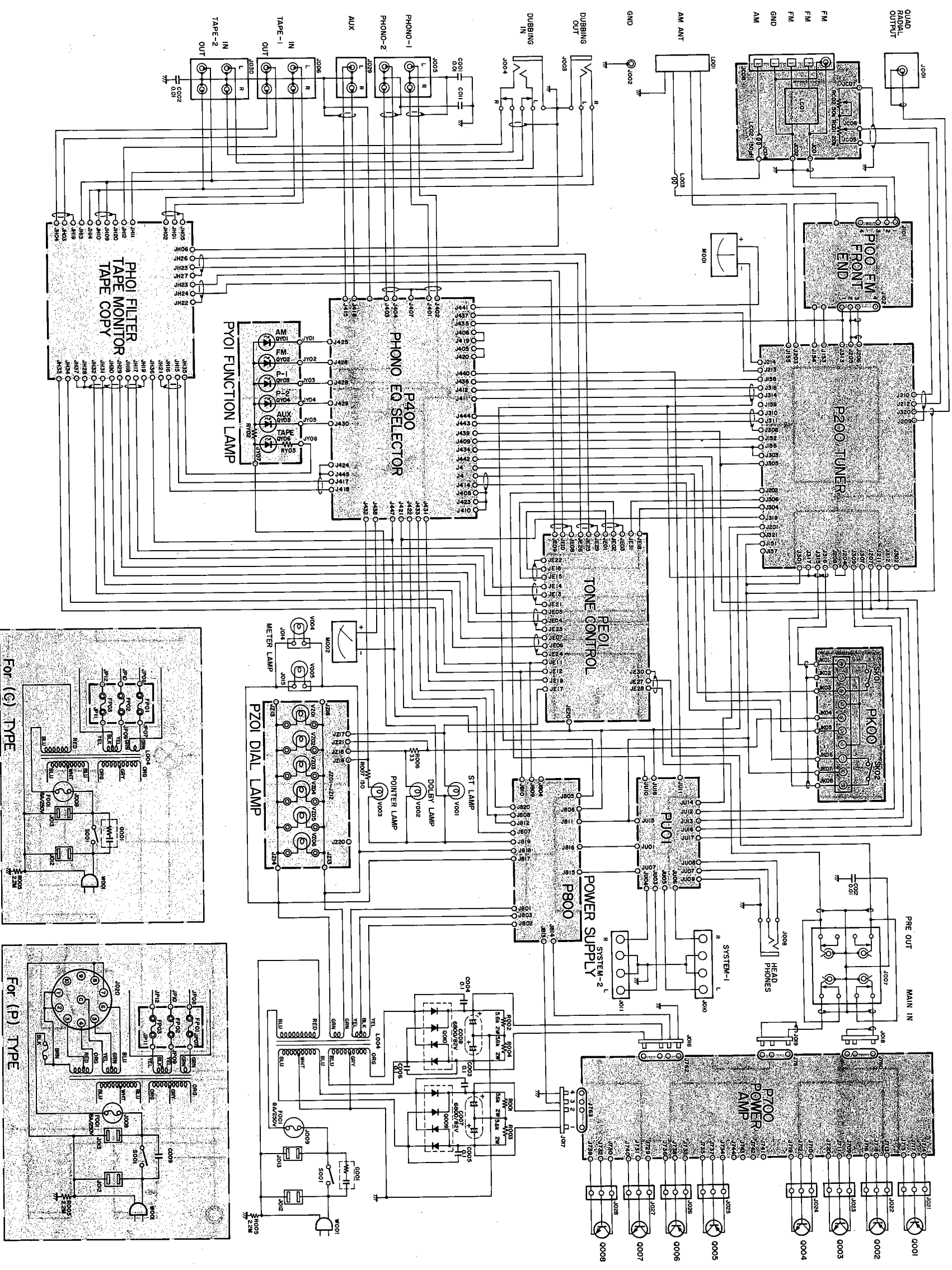


Figure 2. Dial Stringing

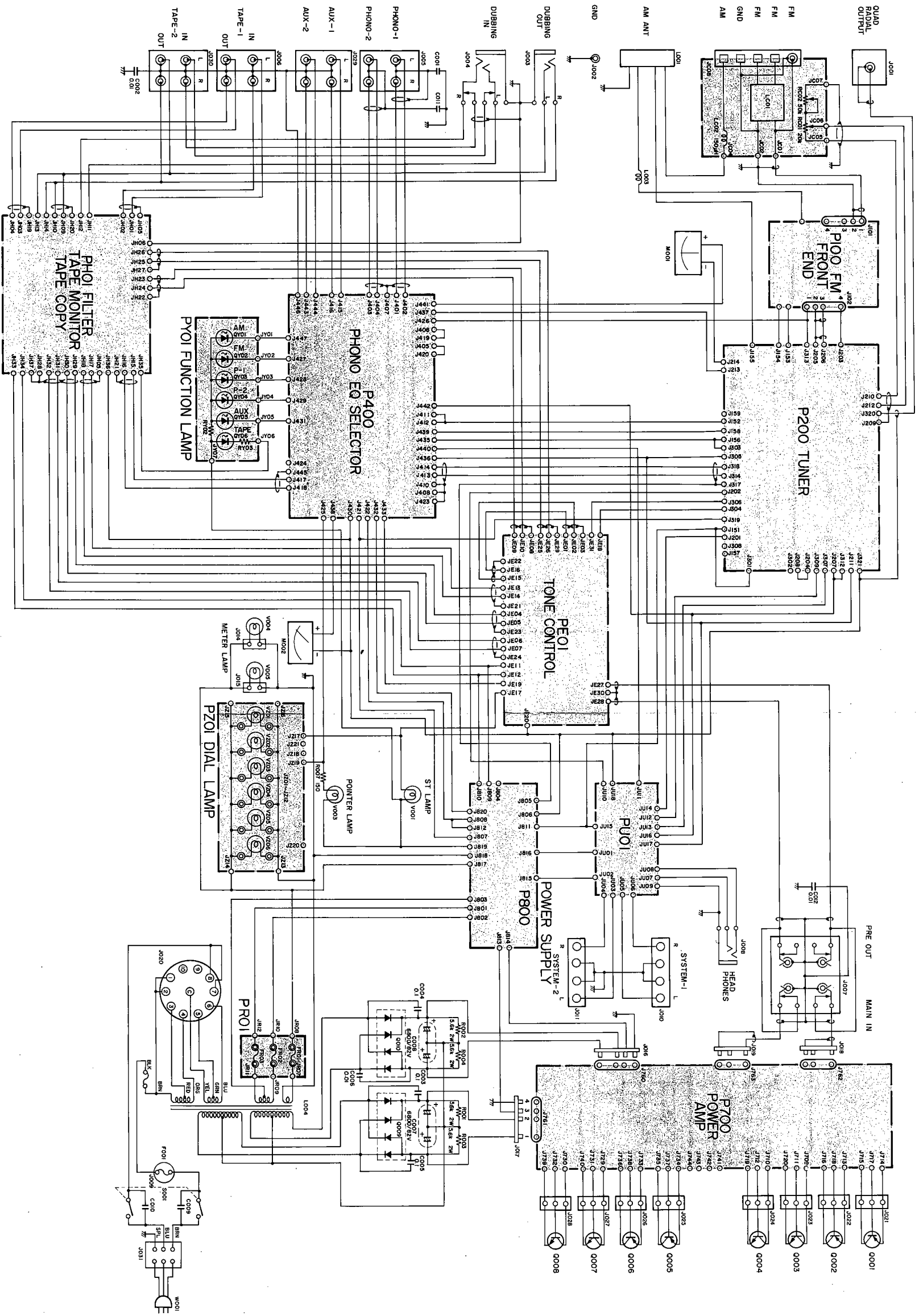
7. DIAGRAMS
7.1 BLOCK DIAGRAM



7.2 CONNECTION DIAGRAM - U.S.A. & CANADA

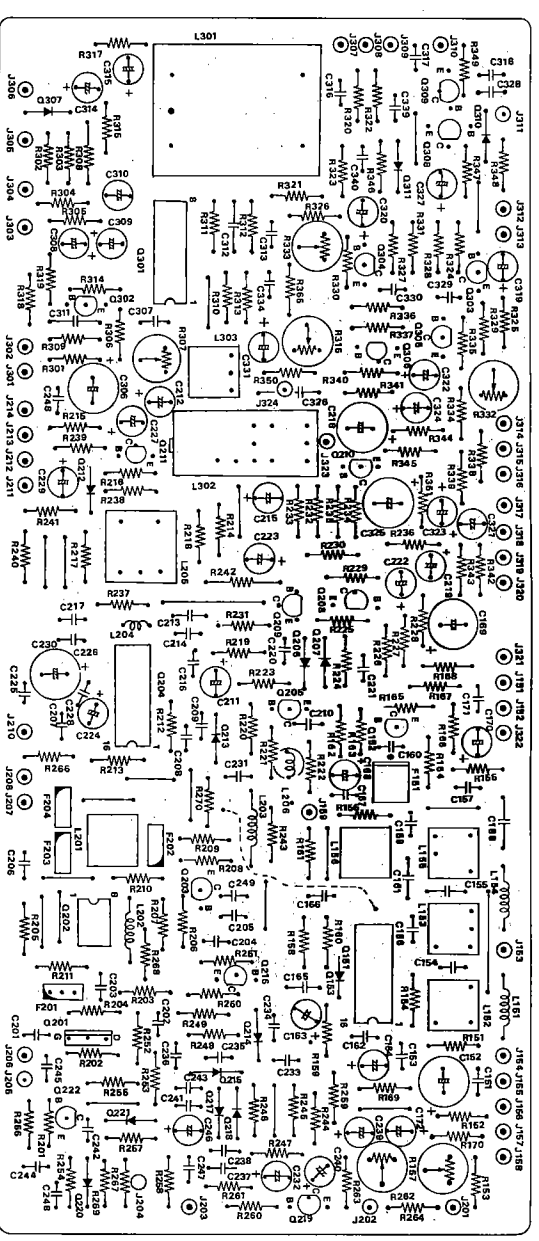
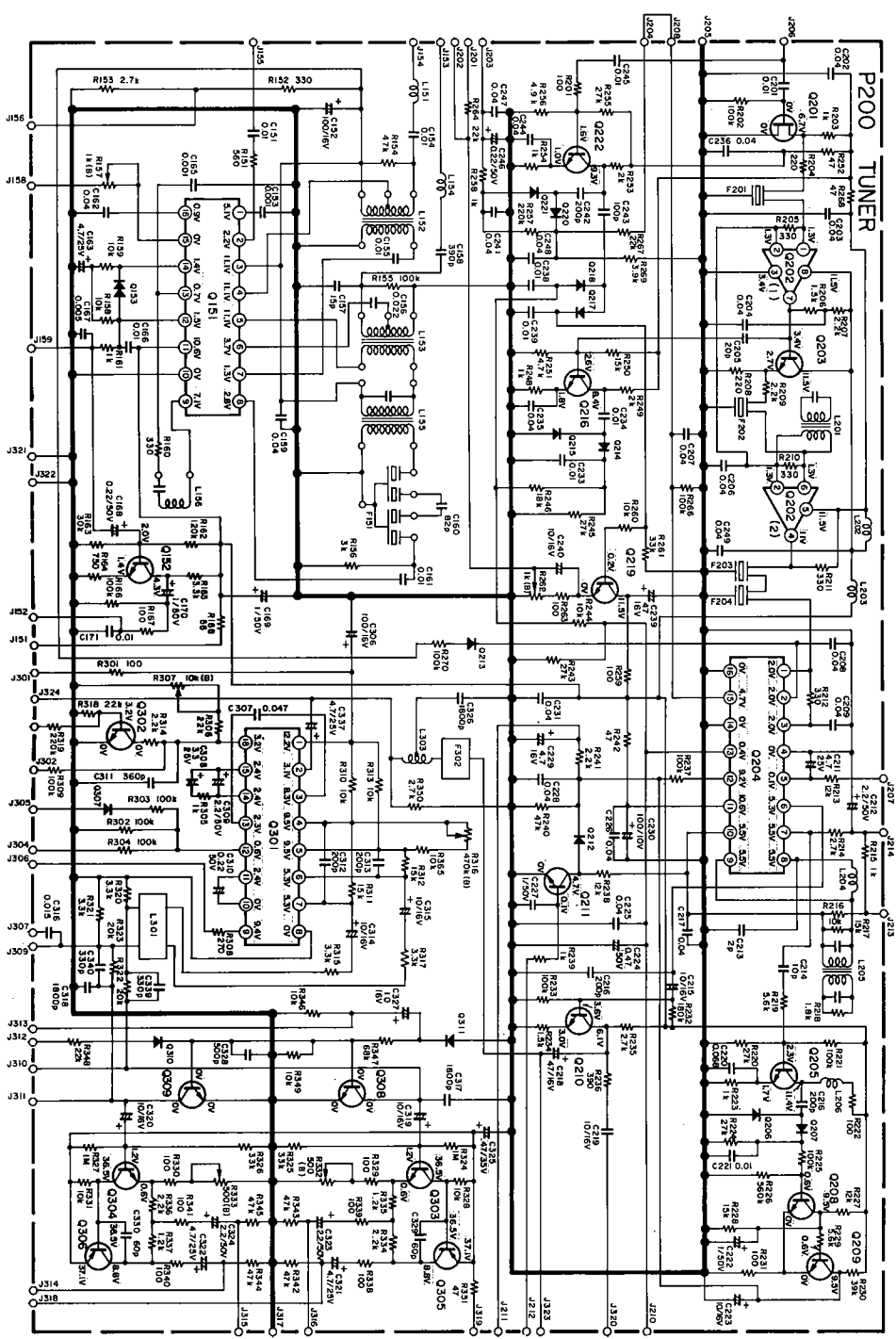
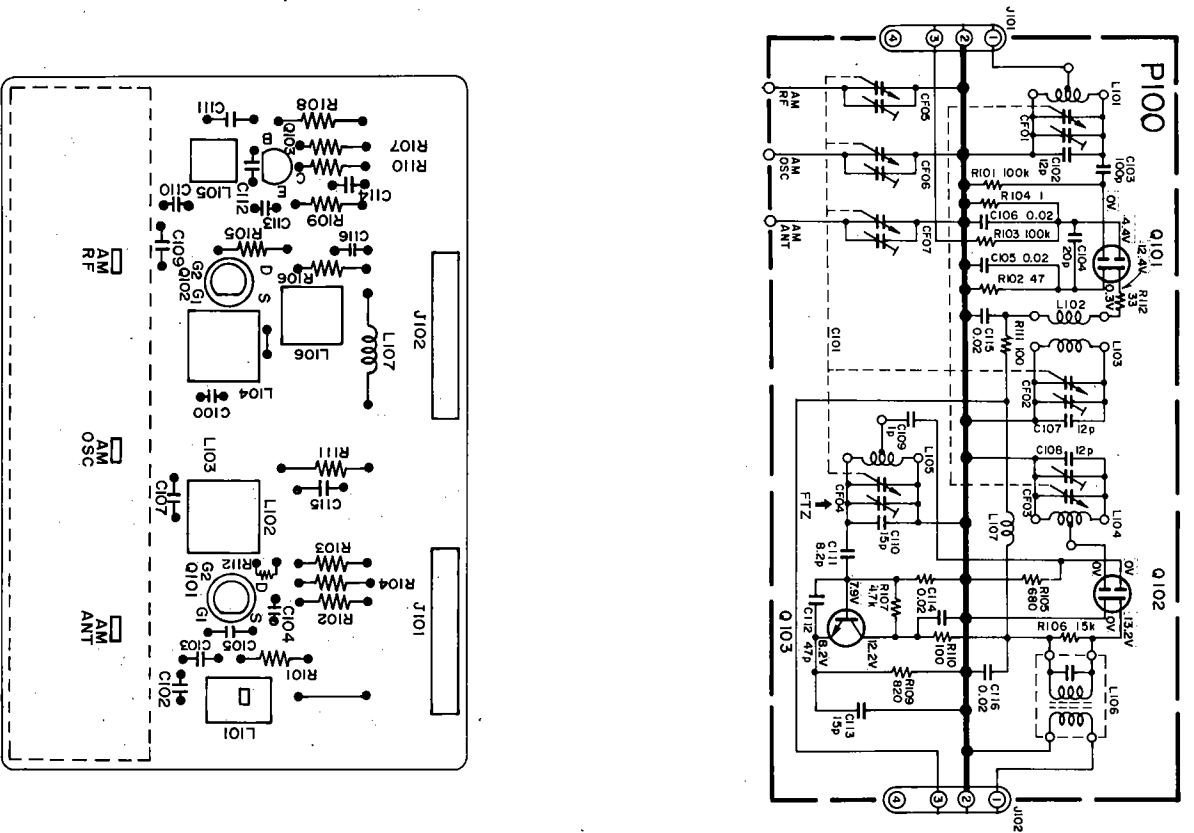


7.3 CONNECTION DIAGRAM - EUROPE

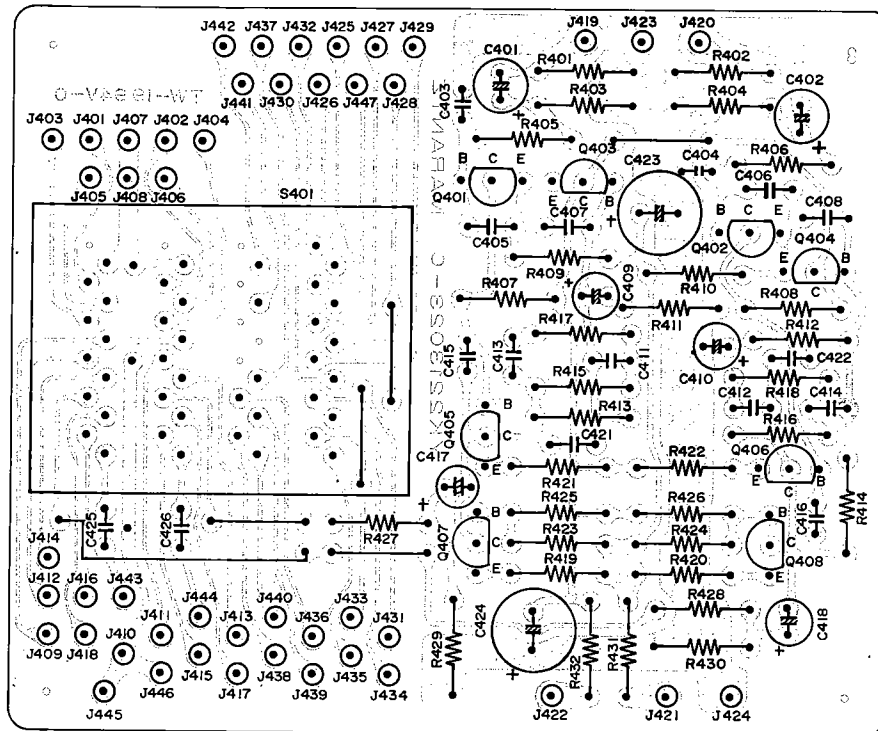
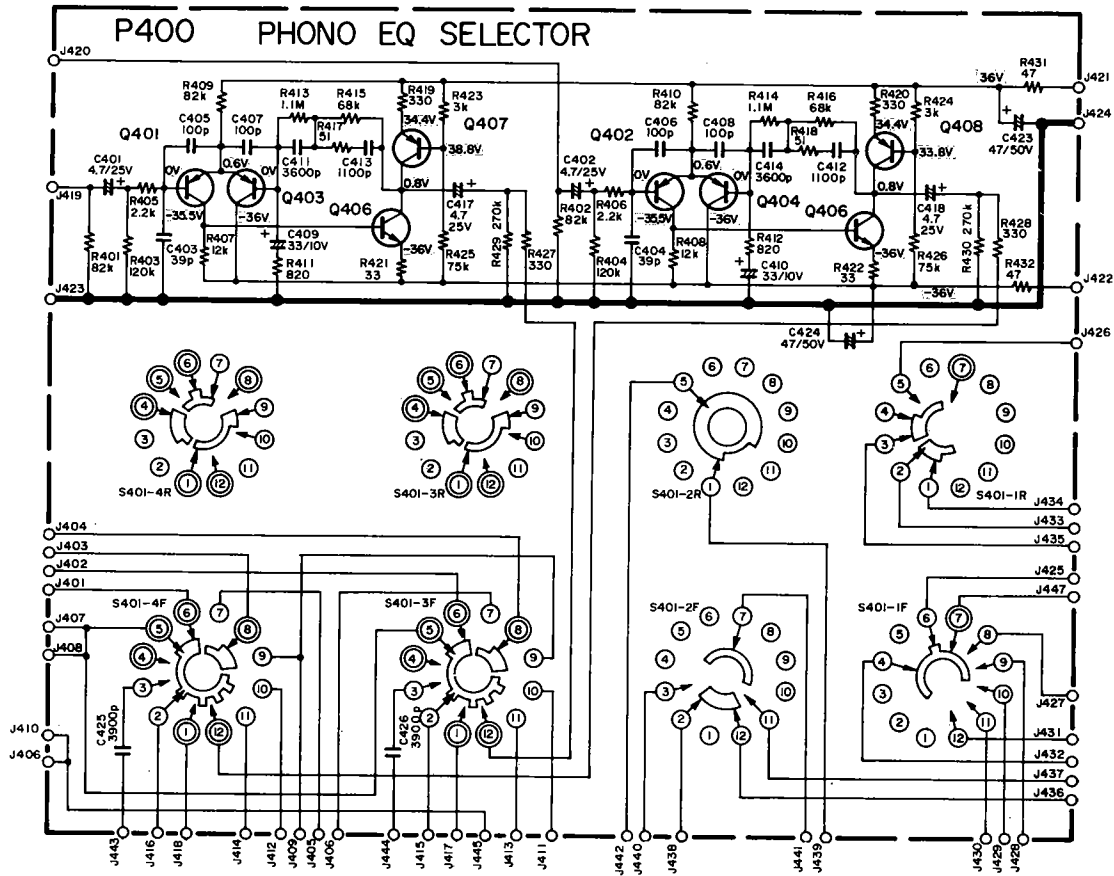


8. SCHEMATIC DIAGRAMS AND COMPONENT LOCATIONS

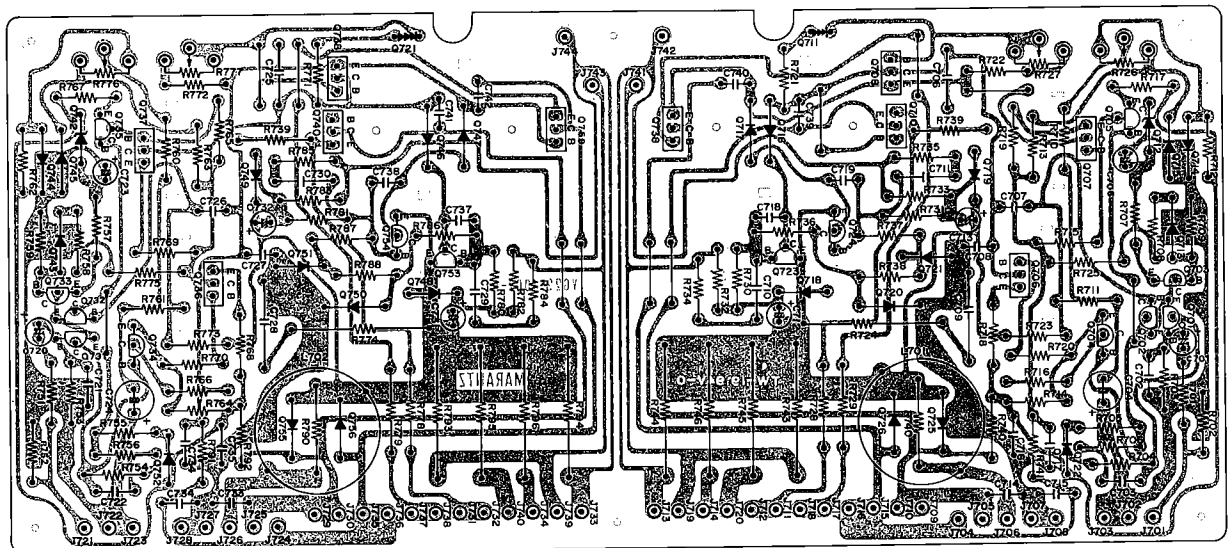
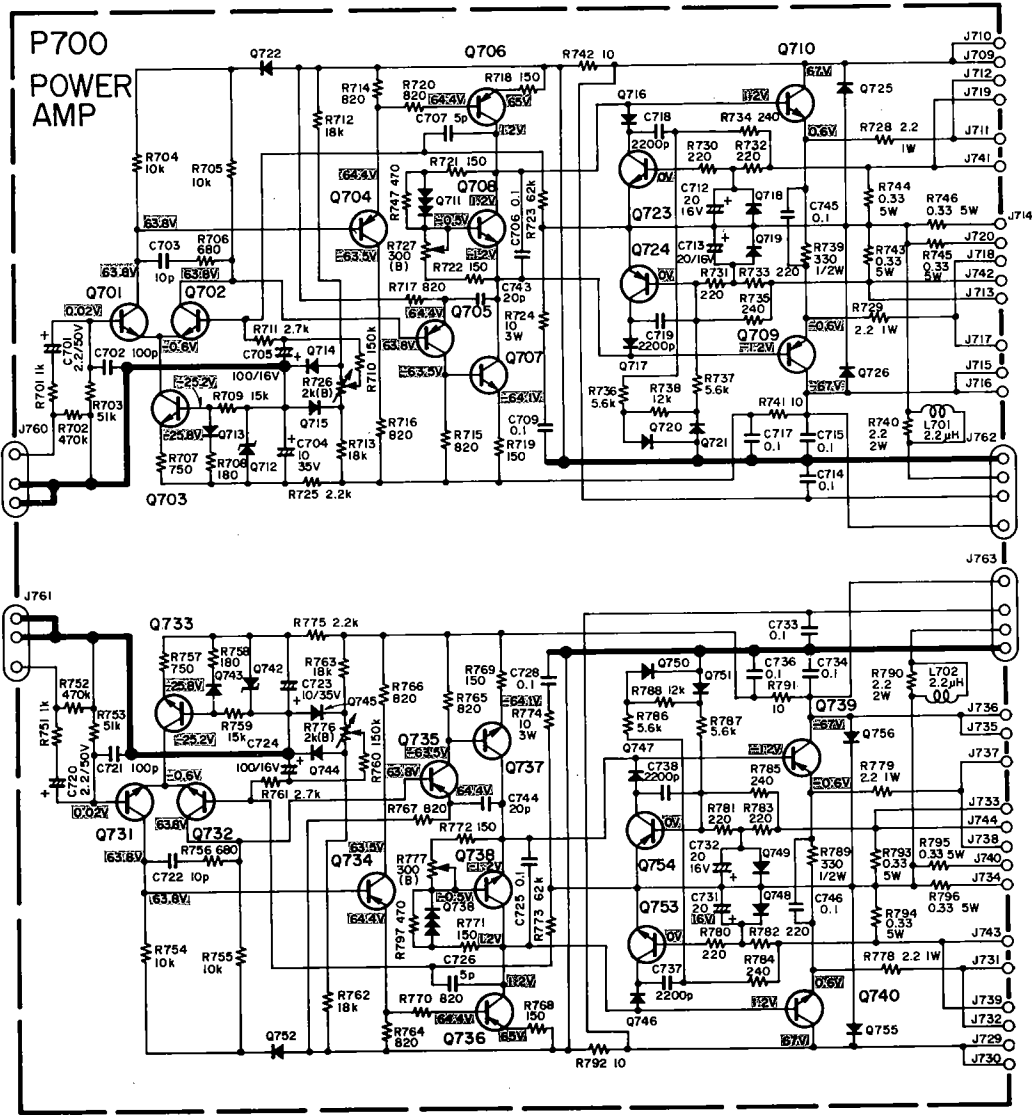
8.1 AM/FM FRONT END CIRCUIT BOARD P100



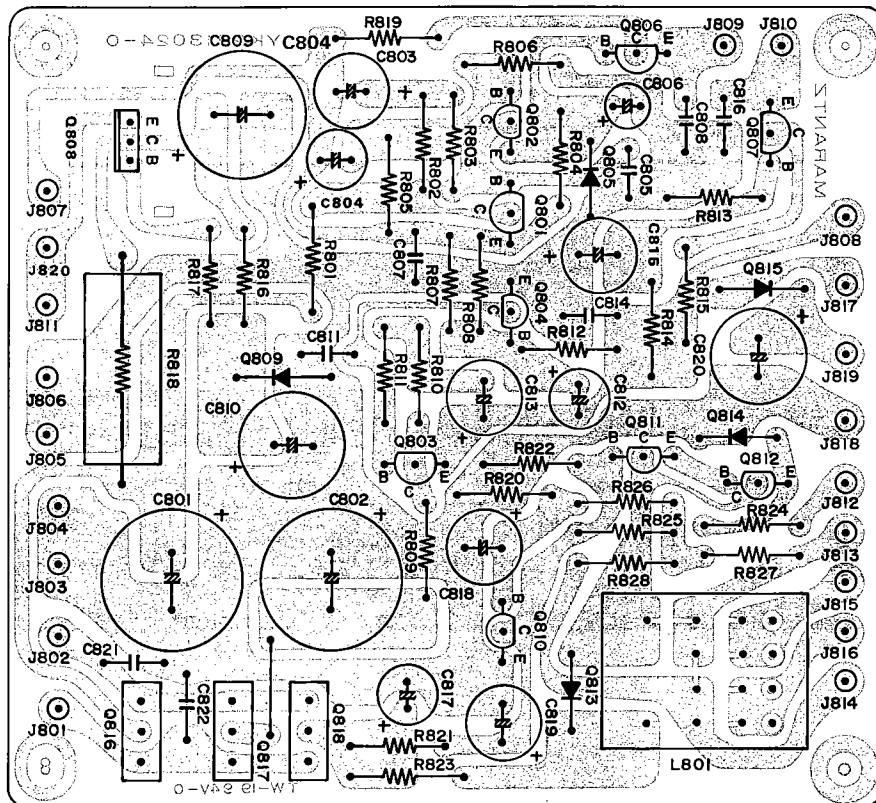
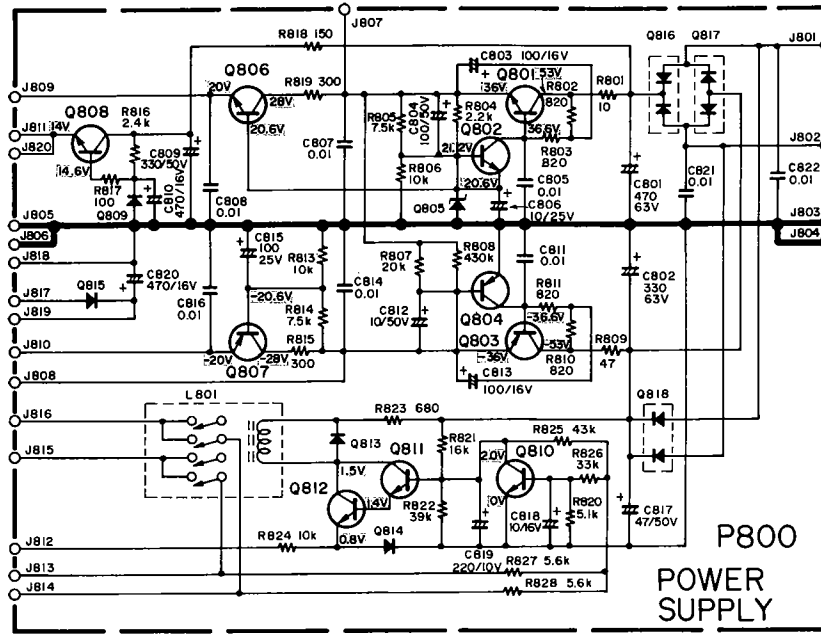
8.3 PHONO AMP CIRCUIT BOARD P400



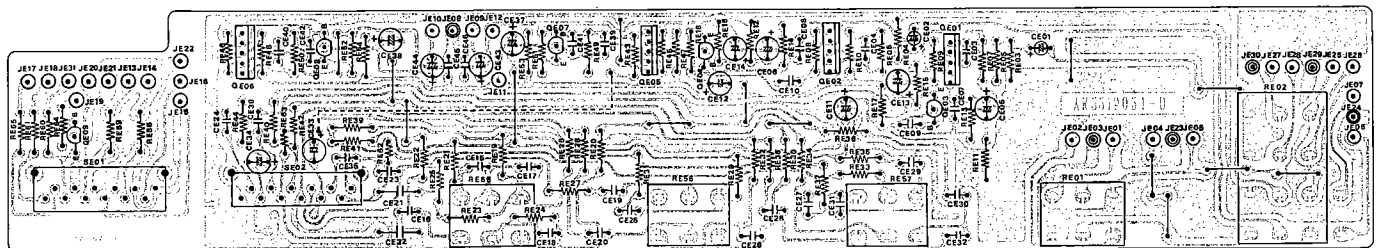
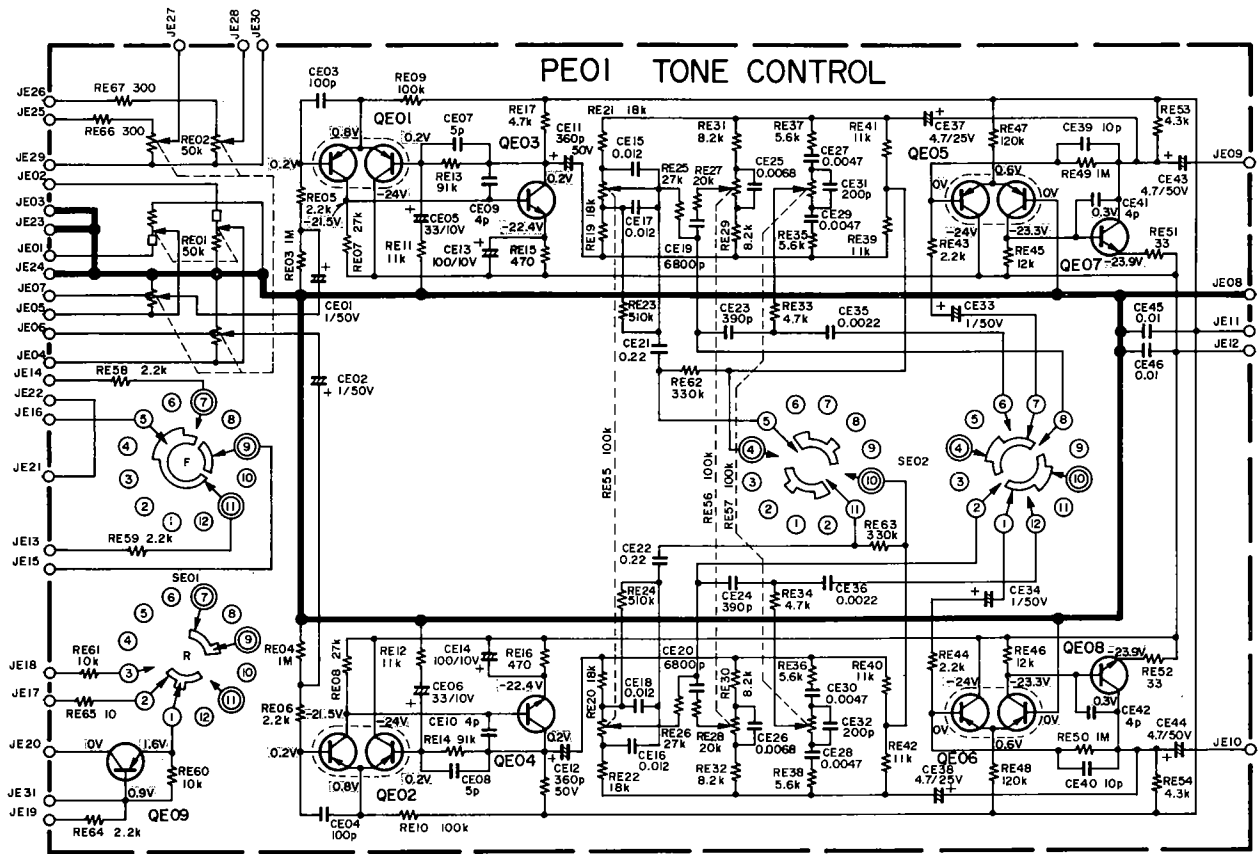
8.4 MAIN AMP CIRCUIT BOARD P700



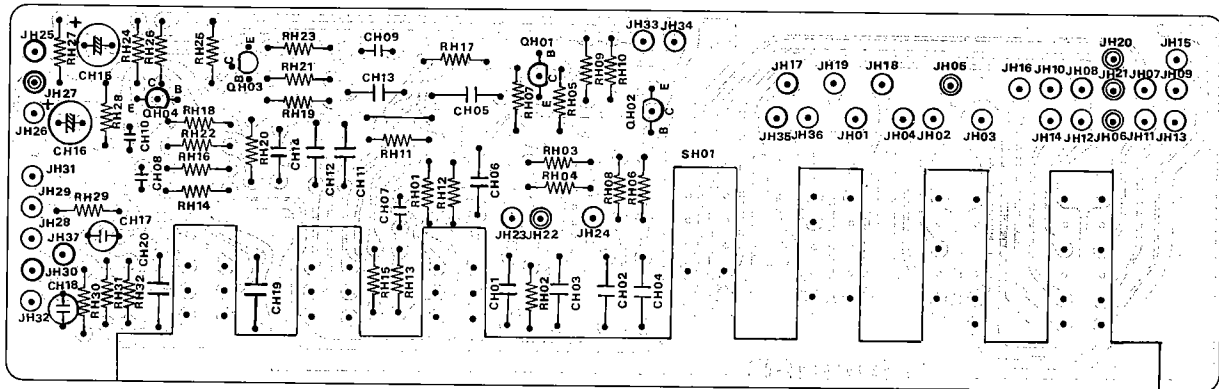
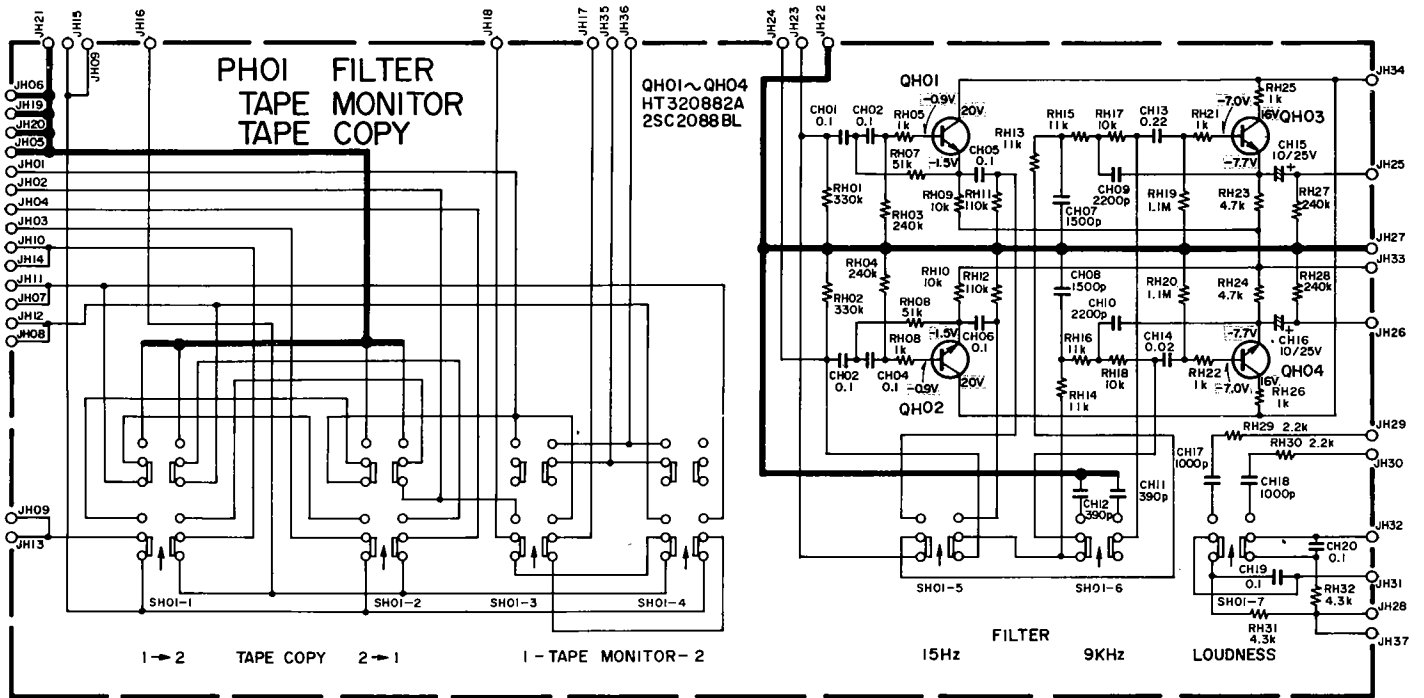
8.5 POWER SUPPLY AND PROTECTION RELAY CIRCUIT BOARD P800



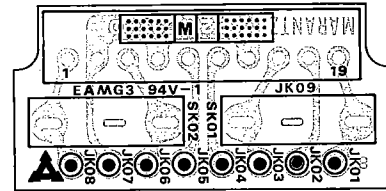
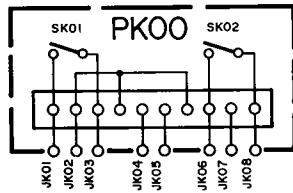
8.6 PRE AND TONE AMP CIRCUIT BOARD PE01



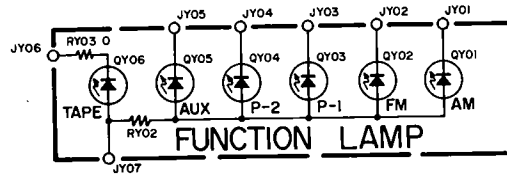
8.7 FILTER, TAPE MONITOR AND TAPE COPY SWITCHES CIRCUIT BOARD PH01



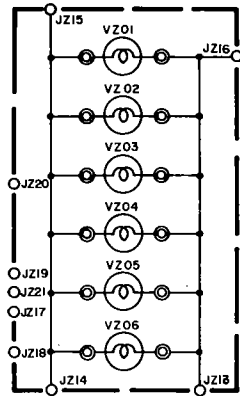
8.8 DOLBY SOCKET CIRCUIT BOARD PK01 - U.S.A. & CANADA



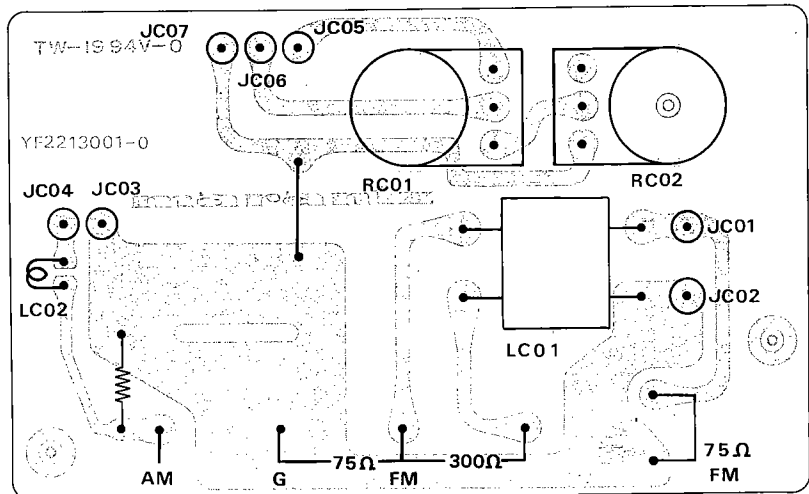
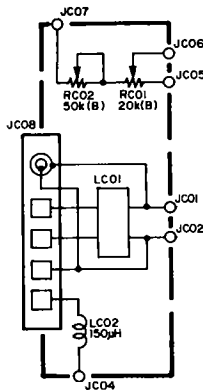
8.9 FUNCTION LAMP CIRCUIT BOARD PY01



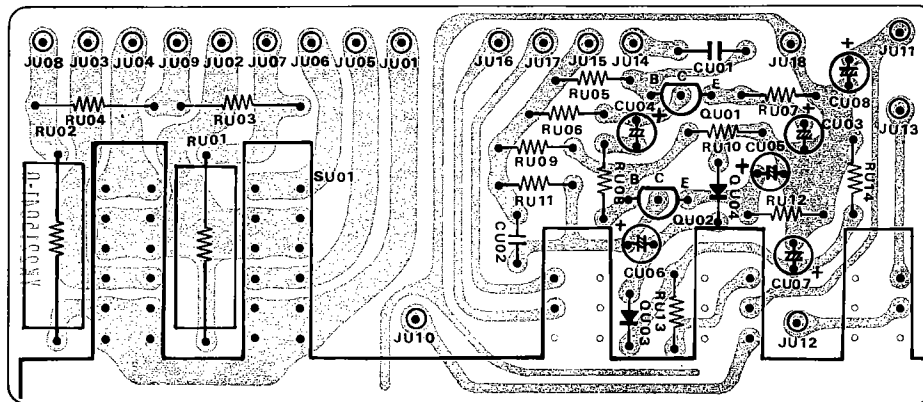
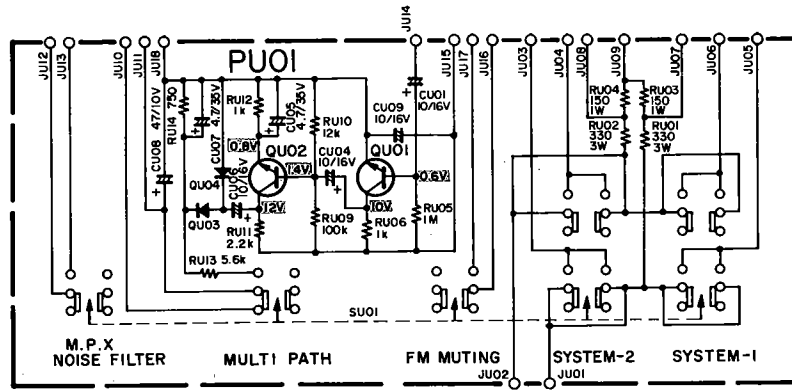
8.10 DIAL LAMP CIRCUIT BOARD PZ01



8.11 FM ANTENNA BALUN AND MUTING LEVEL CIRCUIT BOARD PC01

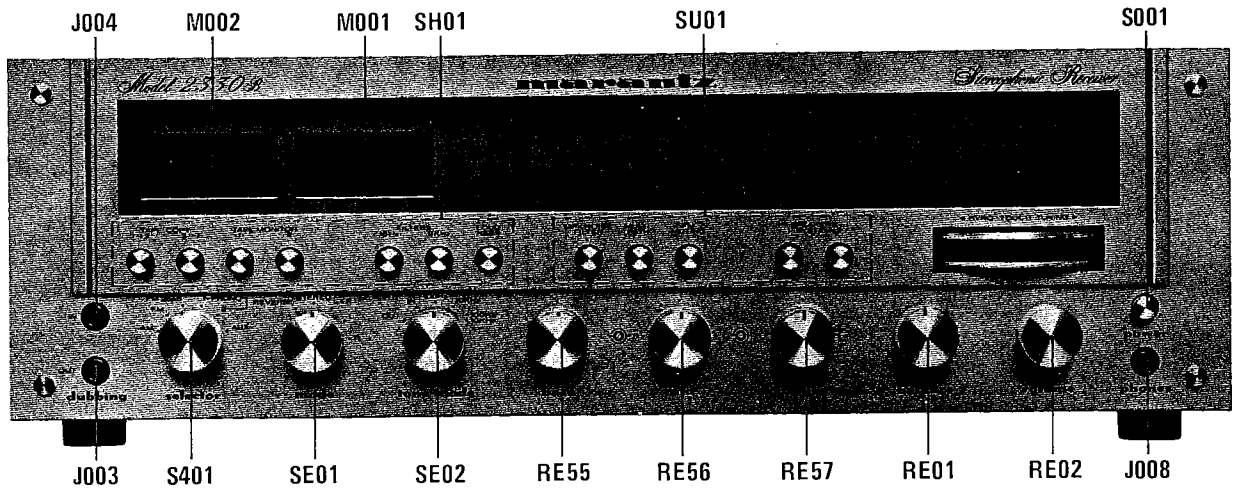


8.12 FM MUTING, MULTIPATH AND SPEAKER SWITCHES CIRCUIT BOARD PU01

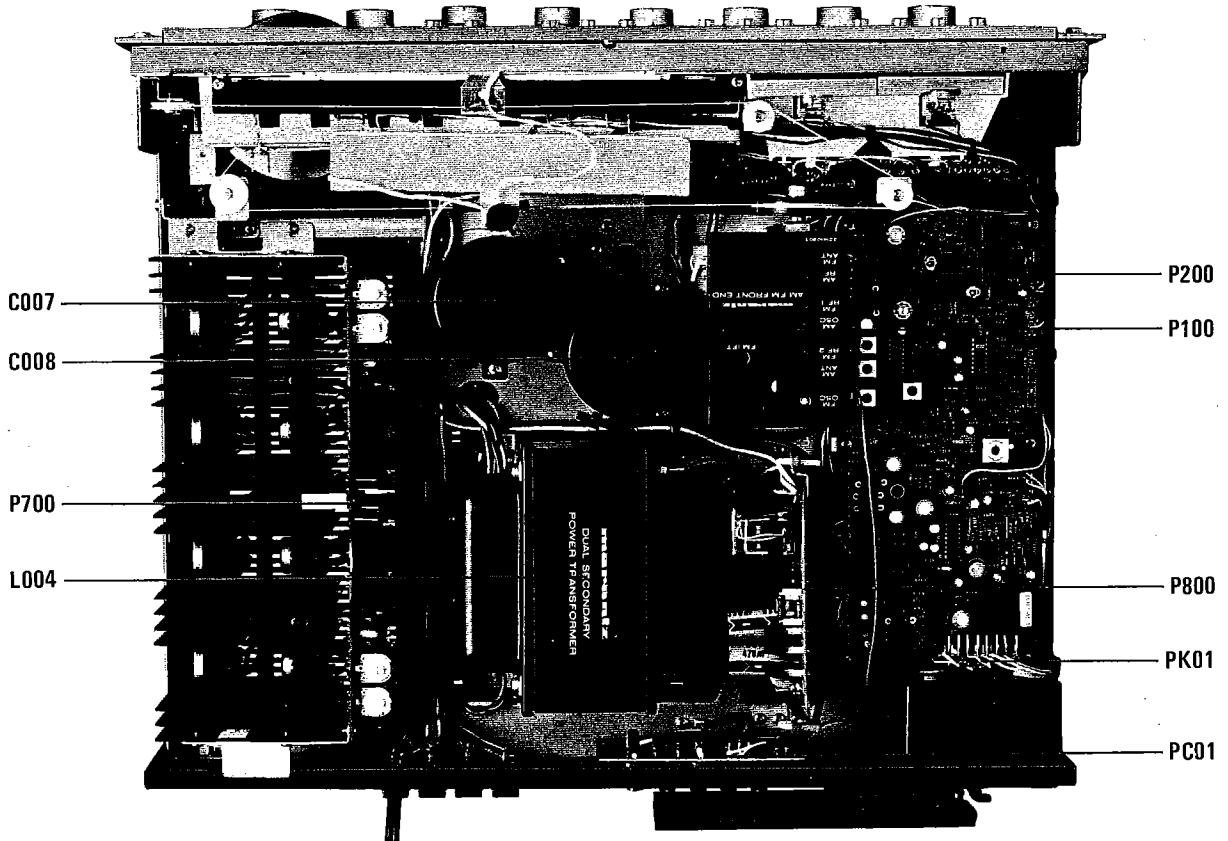


9. MAJOR COMPONENT LOCATIONS

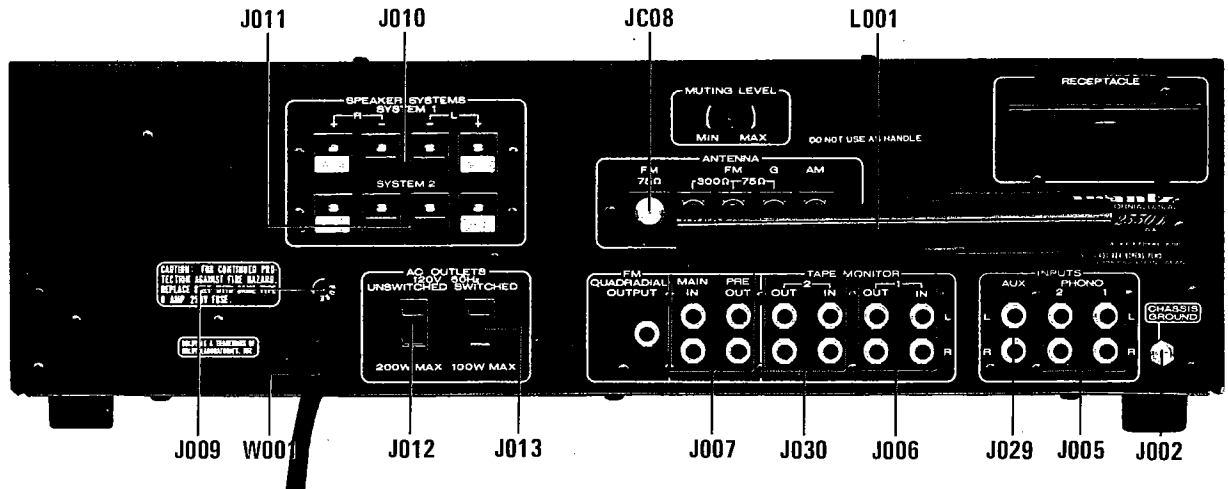
9.1 CABINET - FRONT VIEW



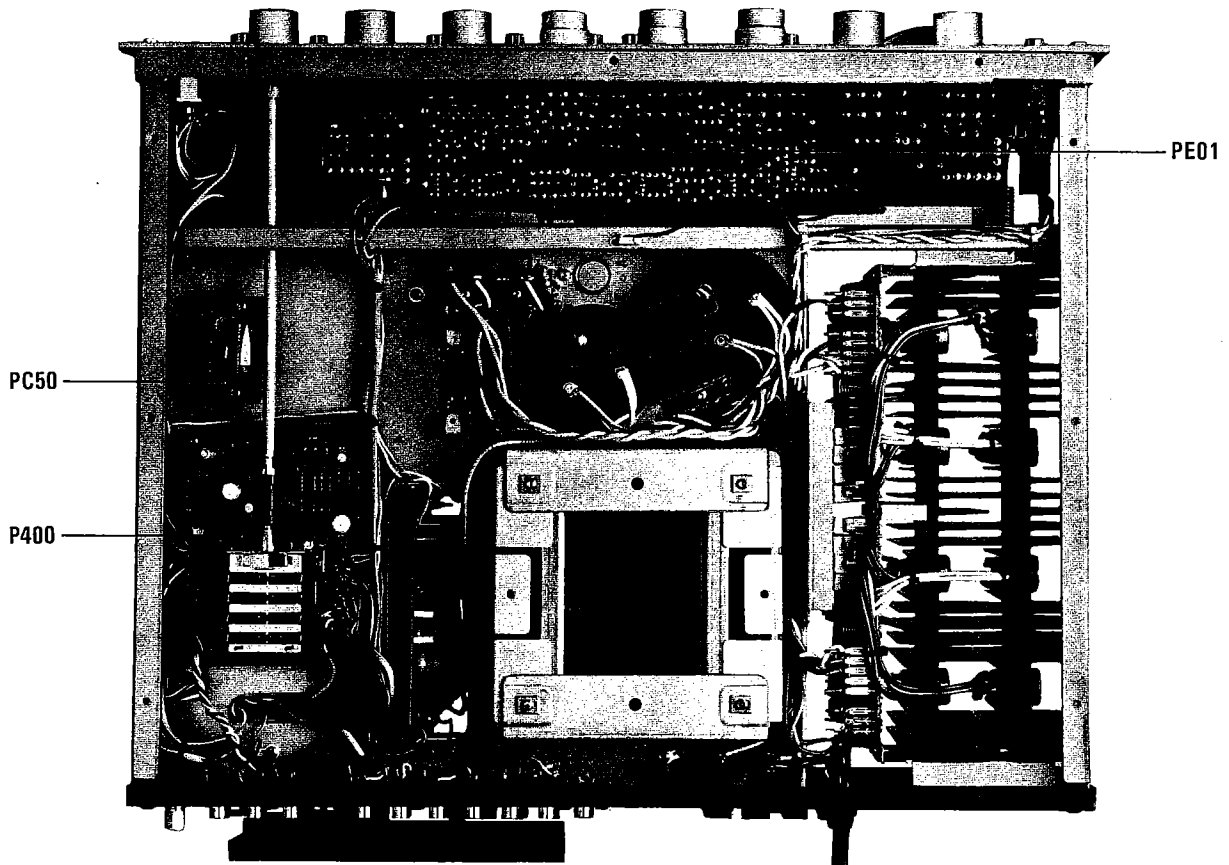
9.2 CHASSIS - TOP VIEW



9.3 CABINET - REAR VIEW

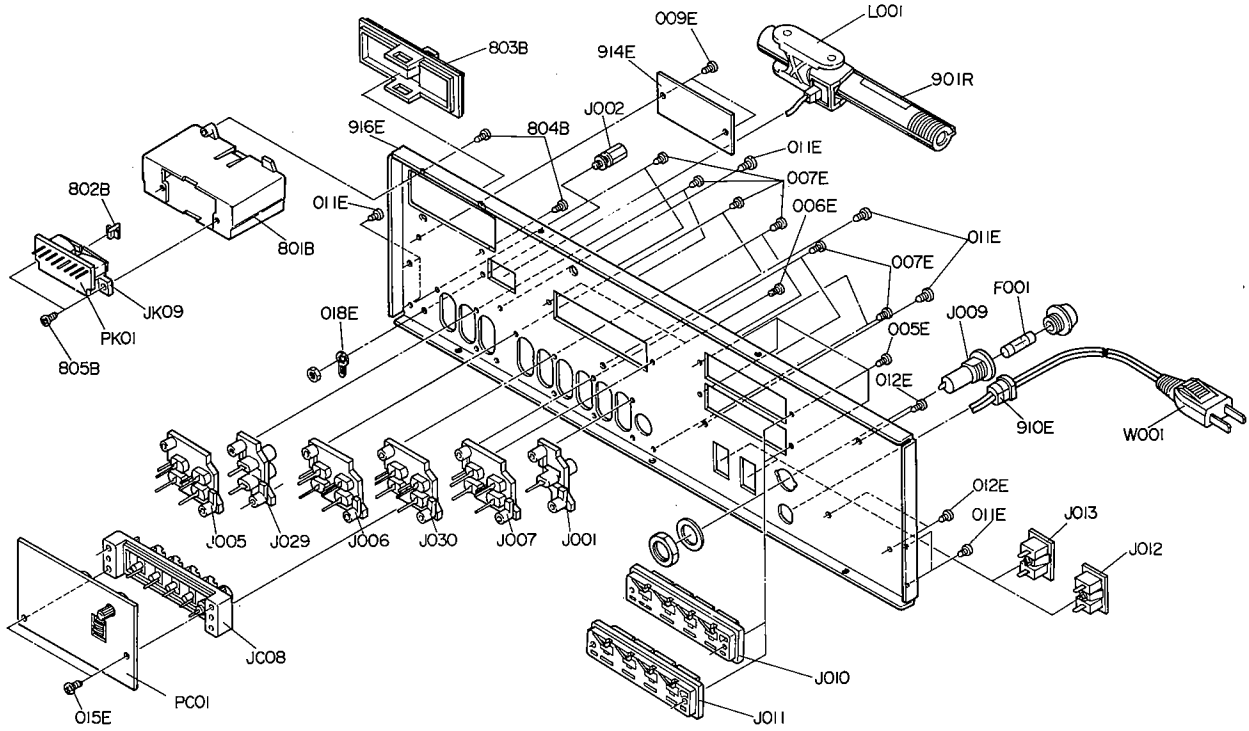


9.4 CHASSIS - BOTTOM VIEW

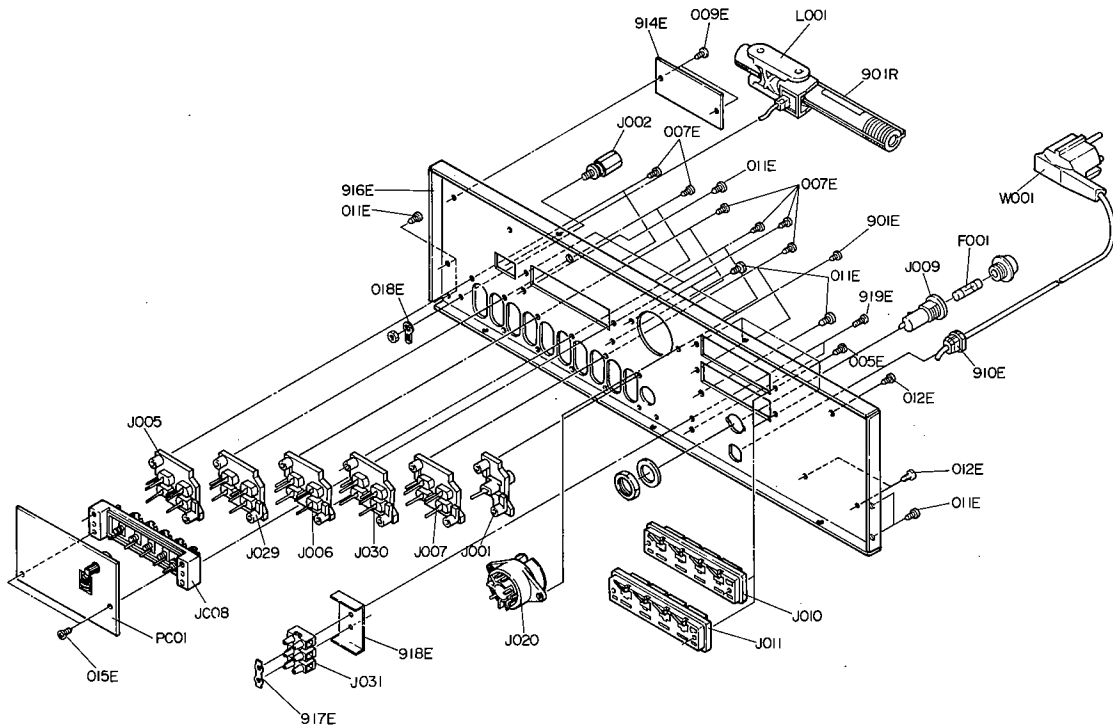


10. EXPLODED VIEWS

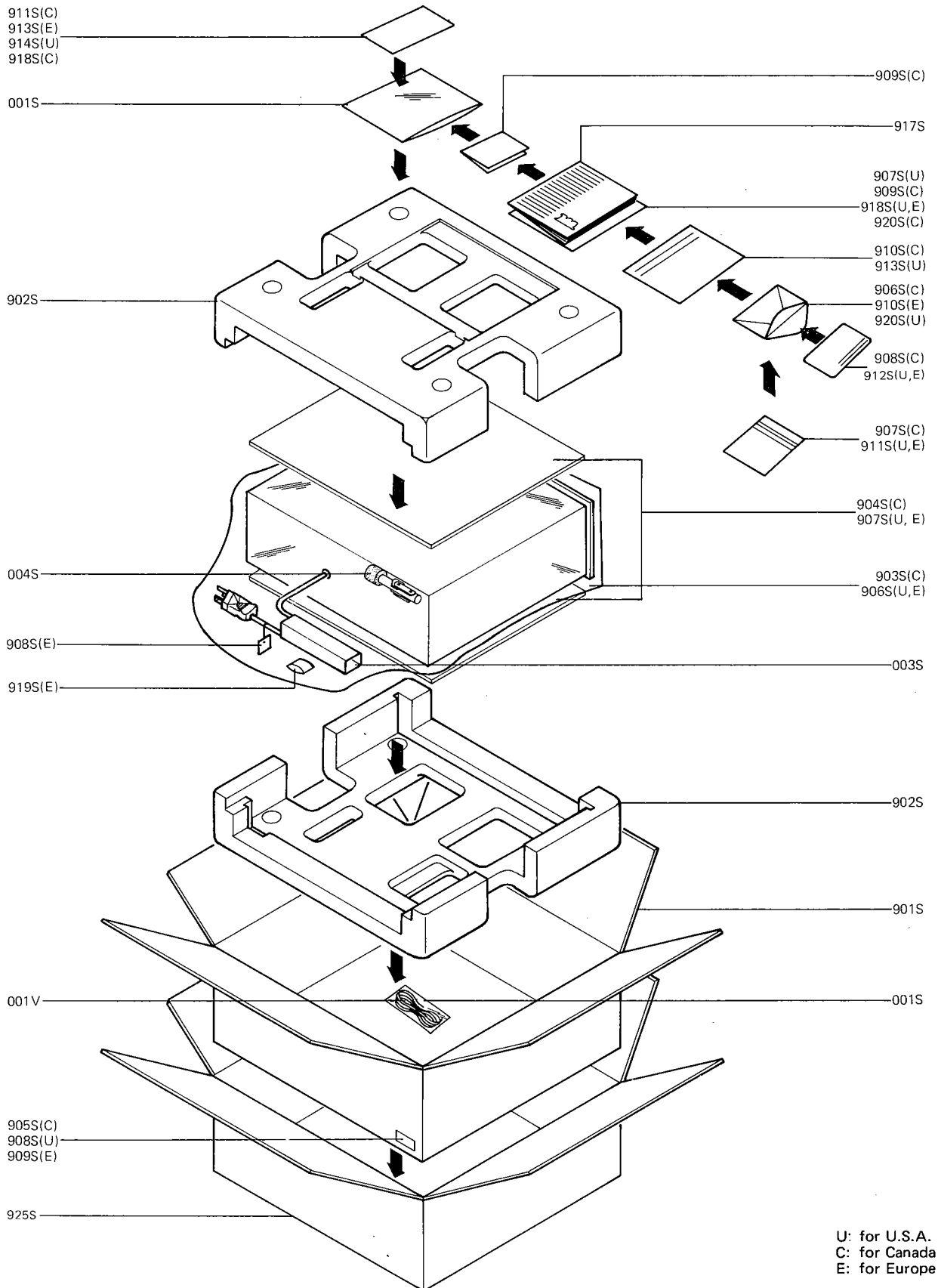
10.1 REAR PANEL EXPLODED VIEW - U.S.A. & CANADA



10.2 REAR PANEL EXPLODED VIEW - EUROPE



10.5 PACKING MATERIAL EXPLODED VIEW



U: for U.S.A.
 C: for Canada
 E: for Europe

11. PARTS LIST

REF. DESIG.	Q'TY			PART NO.	DESCRIPTION
	U	C	E		
A	1	1		2215063400	Front Panel Assembly
A1			1	2215063410	Front Panel Assembly
001C	1	1	1	2215063030	Escutcheon
002C	1	1	1	2215158110	Window
005C	6	6	6	51100305A9	B.H.M. Screw, B3x5
015C	13	13	13	2978259012	Bushing
901C	1	1		2215063012	Escutcheon
901C			1	2215063022	Escutcheon
903C	1	1	1	2215053022	Cover
B	1	1	1	2219273420	Flywheel Assembly
0011	1	1	1	2219273010	Flywheel
0071	2	2	2	2219063030	Escutcheon
0101	1	1	1	2215353010	Ring
0121	2	2	2	51690306Q9	Screw
C	1	1	1	2219159410	Drum Assembly
044F	1	1	1	2219159010	Drum
045F	1	1	1	71101689L0	Spring
046F	2	2	2	51064019A9	P.H.M. Screw, P4x19
D	1	1	1	1202006430	Hook Assembly
047F	1	1	1	1202258010	Hook
048F	2	2	2	72071605A0	String
MECHANICAL PARTS					
PC11	1	1	1	75061251P0	Jumper
PE11	12	12	12	75061001P0	Jumper
PE12	1	1	1	75061751P0	Jumper
PU08	4	4	4	2933118020	Spacer
P208	10	10	10	2933118020	Spacer
P211	2	2	2	75061001P0	Jumper
P212	7	7	7	75061251P0	Jumper
P411	3	3	3	75061251P0	Jumper
P412			2	75060501P0	Jumper
P707	32	32	32	3444118050	Spacer
P709	24	24	24	2933118010	Spacer
P711	11	11	11	75061251P0	Jumper
P807	4	4	4	3444118050	Spacer
P808	15	15	15	2933118020	Spacer
P809	2	2	2	2933118010	Spacer
P811	1	1	1	75061251P0	Jumper
P812	2	2	2	2933118020	Spacer
R335			1	75061251P0	Jumper
R337			1	75061251P0	Jumper
001D	1	1	1	2215257020	Lid
001F	2	2	2	2215267013	Heatsink
001G	1	1	1	2215160010	Bracket
001H	1	1	1	2218103500	Pointer
001R	1	1	1	2213861010	Label
001S	2	2	2	9013025010	Polyethylene Bag
001V	1	1	1	ZA02000070	External Antenna, FM
002D	12	12	12	51280410U0	B.H. Tapped Screw, B4x10ST
002I	1	1	1	2213104500	Retainer
003F	1	1	1	2215160062	Bracket
003G	8	8	8	51280308B0	B.H. Tapped Screw, B3x8ST
003S	1	1	1	2864804010	Sleeve

REF. DESIG.	Q'TY			PART NO.	DESCRIPTION
	U	C	E		
004F	1	1	1	2215160072	Bracket
004S	1	1	1	2819056010	Buffer
005E	4	4	4	51280308U0	B.H. Tapped Screw, B3x8ST
005F	8	8	8	51280306B0	B.H. Tapped Screw, B3x6ST
006E	2	2	2	51280308U0	B.H. Tapped Screw, B3x8ST
007E	12	12	12	51280308U0	B.H. Tapped Screw, B3x8ST
007F	2	2	2	51280306B0	B.H. Tapped Screw, B3x6ST
007G	1	1	1	2215274102	Reflector
008G	1	1	1	2211274303	Reflector
008I	1	1	1	2219112012	Shaft
009C	1	1	1	2215101010	Support
009E	2	2	2	51280306U0	B.H. Tapped Screw, B3x6ST
009F	16	16	16	51100316B9	B.H.M. Screw, B3x16
009G	6	6	6	2211118010	Spacer
010C	1	1	1	2215101020	Support
010G	1	1	1	2215051010	Guide
011E	7	7	7	51280308U0	B.H. Tapped Screw, B3x8ST
011F	1	1	1	2213160092	Bracket
011G	2	2	2	51280306B0	B.H. Tapped Screw, B3x6ST
012C	4	4	4	52017069J0	H. Head Bolt
012E	3	3	3	51280308U0	B.H. Tapped Screw, B3x8ST
012F	2	2	2	51280306B0	B.H. Tapped Screw, B3x6ST
013I	1	1	1	59031405G9	Washer
014F	6	6	6	51280306B0	B.H. Tapped Screw, B3x6ST
014G	6	6	6	51100306A9	B.H.M. Screw, B3x6
015E	2	2	2	51280308U0	B.H. Tapped Screw, B3x8ST
016F	4	4	4	2212267020	Heatsink
017F	6	6	6	51280308B0	B.H. Tapped Screw, B3x8ST
017G	1	1	1	2211274203	Reflector
017I	4	4	4	51470306A9	L. Washer Screw, 3x6
018C	3	3	3	2210154212	Knob
018E	1	1	1	62040029W0	Lug
018F	4	4	4	51100308B9	B.H.M. Screw, B3x8
018I	1	1	1	2205160123	Bracket
019C	3	3	3	2210154222	Knob
019G	2	2	2	2213053022	Cover
020C	5	5	5	2221154232	Knob
020F	4	4	4	2917267022	Heatsink
020G	2	2	2	2991107020	Sheet
020I	3	3	3	51280306B0	B.H. Tapped Screw, B3x6ST
021C	1	1	1	2209154010	Knob
021F	4	4	4	51100308B9	B.H.M. Screw, B3x8
022C	12	12	12	2205154030	Knob
022F	4	4	4	53110303E9	Hexagon Nut
024F	2	2	2	51280308U0	B.H. Tapped Screw, B3x8ST
031F	1	1	1	2215160042	Bracket
031G	1	1	1	2215053010	Cover
032F	1	1	1	2215160052	Bracket
032G	3	3	3	51280306B0	B.H. Tapped Screw, B3x6ST
033F	4	4	4	51280306B0	B.H. Tapped Screw, B3x6ST
034F	4	4	4	51280306B0	B.H. Tapped Screw, B3x6ST
035F	2	2	2	2886005060	Clamper
036F	1	1	1	2963267020	Heatsink
037F	1	1	1	51280308B0	B.H. Tapped Screw, B3x8ST
039G	1	1	1	2215262510	Pulley
040F	3	3	3	51280306B0	B.H. Tapped Screw, B3x6ST
041F	1	1	1	2214109032	Shield
042F	2	2	2	51100306S9	B.H.M. Screw, B3x6
045G	1	1	1	51042606A0	F.H.M. Screw, F2.6x6
046F	2	2	2	51064019A9	P.H.M. Screw, P4x19
047G	1	1	1	2215262520	Pulley

U: For U.S.A.
C: For Canada
E: For Europe

REF. DESIG.	Q'TY			PART NO.	DESCRIPTION
	U	C	E		
049F	1	1	1	56382540G0	Eyelet
052G	2	2	2	51100306A9	B.H.M. Screw, B3x6
061F	1	1	1	2215262500	Pulley
061G	2	2	2	2917101010	Support
065G	1	1	1	2205112502	Shaft
066F	2	2	2	51280306B0	B.H. Tapped Screw, B3x6ST
070F	1	1	1	2215262530	Pulley
070G	2	2	2	51280308B0	B.H. Tapped Screw, B3x8ST
074G	1	1	1	2963125010	Joint
075F	2	2	2	51280306B0	B.H. Tapped Screw, B3x6ST
078F	6	6	6	51280306B0	B.H. Tapped Screw, B3x6ST
079F	1	1	1	2881259010	Bushing
080F	1	1	1	2215269010	Protector
080G	1	1	1	2215107010	Sheet
081F	1	1	1	2908259010	Bushing
082F	1	1	1	51280306B0	B.H. Tapped Screw, B3x6ST
083F	4	4	4	51280306B0	B.H. Tapped Screw, B3x6ST
090G	1	1	1	2219202050	Net
091F	6	6	6	51280408B0	B.H. Tapped Screw, B4x8ST
091G	1	1	1	2215005010	Clamper
092F	1	1	1	2215123010	Contactora
093F	1	1	1	51600306B0	Washer Screw, 3x6
096F	4	4	4	51490512A9	L. Washer Screw, 5x12
097F	2	2	2	2215160020	Bracket
098F	4	4	4	51280306B0	B.H. Tapped Screw, B3x6ST
101F	2	2	2	51280310B0	B.H. Tapped Screw, B3x10ST
104F	1	1	1	62030049W0	Lug
105F	1	1	1	51280306B0	B.H. Tapped Screw, B3x6ST
106F	1	1	1	62030049W0	Lug
107F	1	1	1	51280306B0	B.H. Tapped Screw, B3x6ST
108F	2	2	2	62030049W0	Lug
109F	2	2	2	51280306B0	B.H. Tapped Screw, B3x6ST
112F	2	2	2	2886005060	Clamper
121F	1	1	1	2215105500	Chassis
124F	1	1	1	2215105020	Chassis
125F	1	1	1	2215105030	Chassis
126F	1	1	1	2215105040	Chassis
128F	8	8	8	51280306B0	B.H. Tapped Screw, B3x6ST
801B	1	1	1	2218271050	Holder
802B	1	1	1	2218258010	Hook
803B	1	1	1	2218257030	Lid
804B	2	2	2	51280308U0	B.H. Tapped Screw, B3x8ST
805B	2	2	2	51280308U0	B.H. Tapped Screw, B3x8ST
901D	1	1	1	2215257010	Lid
901E			2	51100308S9	B.H.M. Screw, B3x8
901F		2	2	51280306B0	B.H. Tapped Screw, B3x6ST
901G	1	1	1	2215302012	Dial
901G			1	2215302022	Dial
901R	1	1	1	2506265060	Indicator
901R		1	1	2911861170	Label
901S	1	1	1	2215801010	Packing Case
901S			1	2215801030	Packing Case
901S			1	2215801040	Packing Case
902D	4	4	2	51280306U0	B.H. Tapped Screw, B3x6ST
902R	1	1	1	2578861010	Label
902R		1	1	2911861112	Label
902S	2	2	2	2215809010	Cushion
902S	2	2	2	2215809030	Cushion
903D	4	4	2	51480406S9	F. Washer Screw, 4x6
903R	1	1	1	2932861010	Label
903R		1	1	9510601080	Label

REF. DESIG.	Q'TY			PART NO.	DESCRIPTION
	U	C	E		
903S	1	1	1	9015345430	Polyethylene Bag
904R			1	2882861020	Label
904R		1	1	2911861162	Label
904R	1	1	1	9510911020	Label
904S		1	1	2918107140	Sheet
905D	2	2	1	51280410U0	B.H. Tapped Screw, B4x10ST
905G			4	2970120030	Insulator
905R		1	1	2911861142	Label
905R	1	1	1	9511101020	Label
905S		3	3	9523015120	Serial No. Card
906R		1	1	9510911010	Label
906S		1	1	2918813012	Envelope
906S	1	1	1	9015345430	Polyethylene Bag
906S		1	1	9015550450	Polyethylene Bag
907S		1	1	2818851120	Instructions, Important
907S	1	1	1	2918107140	Sheet
908R		1	1	2911861012	Label
908S	3	3	3	9522815010	Serial No. Card
908S			1	9560000042	Hang Tag
908S	1	1	1	9630000180	Guarantee Card, IBM
909R		1	1	2911861192	Label
909S		3	3	9523015110	Serial No. Card
909S		1	1	9650000052	Service Station Card
910D	4	4	2	2759057012	Leg
910E		1	1	1455259050	Bushing
910E	1	1	1	1455259090	Bushing
910R		1	1	2911861250	Label
910S		1	1	2818813010	Envelope
910S		1	1	2818854042	Guarantee Card
911D		1	1	2215064502	Case
911D	4	4	2	51280410U0	B.H. Tapped Screw, B4x10ST
911S	1	1	1	2577851020	Instructions, Important
911S		1	1	2818851120	Instructions, Important
911S		1	1	2818851140	Instructions, Caution
912D	2	2	1	2965118010	Spacer
912S	1	1	1	2577854012	Guarantee Card, IBM
912S		1	1	9630000180	Guarantee Card, IBM
913S		1	1	2818851140	Instructions, Important
913S	1	1	1	2818854023	Guarantee Card
914D		2	2	2882057010	Leg
914E	1	1	1	2215265010	Indicator
914E		1	1	2215265020	Indicator
914E		1	1	2215265030	Indicator
914S	1	1	1	2818851040	Instructions, Caution
916D		3	3	51280420B0	B.H. Tapped Screw, B4x20ST
916E	1	1	1	2215160212	Bracket
916E		1	1	2215160220	Bracket
917D		3	3	54080400R0	T.L. Washer RR
917S	1	1	1	2215851010	Instructions, Set
917S		1	1	2215851310	Instructions, Set
918E	1	1	1	62030049W0	Lug
918S	1	1	1	2215851020	Instructions, Flysheet
918S		1	1	2215851030	Instructions, Flysheet
918S		1	1	2886851100	Instructions
919E	1	1	1	51280306B0	B.H. Tapped Screw, B3x6ST
919S		1	1	2731821010	Silicagel
920S		1	1	2215851050	Instructions, Flysheet
920S	1	1	1	2577813010	Envelope
925S	1	1	1	2215801060	Packing Case

REF. DESIG.	Q'TY			PART NO.	DESCRIPTION
	U	C	E		
ELECTRICAL PARTS					
JC01	1	1	1	YP10001200	Plug
JC02	1	1	1	YP10001200	Plug
JC03	1	1	1	YP10001200	Plug
JC04	1	1	1	YP10001200	Plug
JC05	1	1	1	YP10001200	Plug
JC06	1	1	1	YP10001200	Plug
JC07	1	1	1	YP10001200	Plug
JC08	2	2	1	BY04050010	Terminal
JC08			1	BY04050020	Terminal, 4P
LC01	1	1	1	LB30075260	Balun Coil
LC02	1	1	1	LC11540020	Choke Coil, 150μH
PC01	1	1	1	YF22130010	P.W. Board, Antenna & Muting
	1	1		ZZ22131010	P.W. Board Assembly
			1	ZZ22138020	P.W. Board Assembly
RC01	1	1	1	RK02030322	Res., Variable, 20kΩ(B)
RC02	1	1	1	RK05030170	Res., Variable, 50kΩ(B)
CE01	1	1	1	EE10505040	Cap., Elect., 1μF, 50V
CE02	1	1	1	EE10505040	Cap., Elect., 1μF, 50V
CE03	1	1	1	DD16101010	Cap., Ceramic, 100pF, 50V
CE04	1	1	1	DD16101010	Cap., Ceramic, 100pF, 50V
CE05	1	1	1	EE33601040	Cap., Elect., 33μF, 10V
CE06	1	1	1	EE33601040	Cap., Elect., 33μF, 10V
CE07	1	1	1	DD12050050	Cap., Ceramic, 5pF±1pF, 50V
CE08	1	1	1	DD12050050	Cap., Ceramic, 5pF±1pF, 50V
CE09	1	1	1	DD11040010	Cap., Ceramic, 4pF±0.5pF, 50V
CE10	1	1	1	DD11040010	Cap., Ceramic, 4pF±0.5pF, 50V
CE11	1	1	1	DF65361010	Cap., Film, 360pF±5%, 50V
CE12	1	1	1	DF65361010	Cap., Film, 360pF±5%, 50V
CE13	1	1	1	EA10701090	Cap., Elect., 100μF +50%, -10%, 10V
CE14	1	1	1	EA10701090	Cap., Elect., 100μF +50%, -10%, 10V
CE15	1	1	1	DF16123050	Cap., Film, 0.012μF, 50V
CE16	1	1	1	DF16123050	Cap., Film, 0.012μF, 50V
CE17	1	1	1	DF16123050	Cap., Film, 0.012μF, 50V
CE18	1	1	1	DF16123050	Cap., Film, 0.012μF, 50V
CE19	1	1	1	DF16682050	Cap., Film, 6800pF, 50V
CE20	1	1	1	DF16682050	Cap., Film, 6800pF, 50V
CE21	1	1	1	DF17224020	Cap., Film, 0.22μF, 50V
CE22	1	1	1	DF17224020	Cap., Film, 0.22μF, 50V
CE23	1	1	1	DD15391010	Cap., Ceramic, 390pF, 50V
CE24	1	1	1	DD15391010	Cap., Ceramic, 390pF, 50V
CE25	1	1	1	DF16682050	Cap., Film, 0.0068μF, 50V
CE26	1	1	1	DF16682050	Cap., Film, 0.0068μF, 50V
CE27	1	1	1	DF16472050	Cap., Film, 0.0047μF, 50V
CE28	1	1	1	DF16472050	Cap., Film, 0.0047μF, 50V
CE29	1	1	1	DF16472050	Cap., Film, 0.0047μF, 50V
CE30	1	1	1	DF16472050	Cap., Film, 0.0047μF, 50V
CE31	1	1	1	DD15201010	Cap., Ceramic, 200pF, 50V
CE32	1	1	1	DD15201010	Cap., Ceramic, 200pF, 50V
CE33	1	1	1	EE10505010	Cap., Elect., 1μF, 50V
CE34	1	1	1	EE10505010	Cap., Elect., 1μF, 50V
CE35	1	1	1	DF16222050	Cap., Film, 0.0022μF, 50V
CE36	1	1	1	DF16222050	Cap., Film, 0.0022μF, 50V
CE37	1	1	1	EE47502510	Cap., Elect., 4.7μF, 25V
CE38	1	1	1	EE47502510	Cap., Elect., 4.7μF, 25V
CE39	1	1	1	DD12100100	Cap., Ceramic, 10pF±1pF, 50V
CE40	1	1	1	DD12100100	Cap., Ceramic, 10pF±1pF, 50V

REF. DESIG.	Q'TY			PART NO.	DESCRIPTION
	U	C	E		
CE41	1	1	1	DD11040010	Cap., Ceramic, 4pF±0.5pF, 50V
CE42	1	1	1	DD11040010	Cap., Ceramic, 4pF±0.5pF, 50V
CE43	1	1	1	EE47505010	Cap., Elect., 4.7μF, 50V
CE44	1	1	1	EE47505010	Cap., Elect., 4.7μF, 50V
CE45	1	1	1	DK18103010	Cap., Ceramic, 0.01μF, 50V
CE46	1	1	1	DK18103010	Cap., Ceramic, 0.01μF, 50V
JE01	1	1	1	YP10001130	Plug
JE02	1	1	1	YP10001130	Plug
JE03	1	1	1	YP10001130	Plug
JE04	1	1	1	YP10001130	Plug
JE05	1	1	1	YP10001130	Plug
JE06	1	1	1	YP10001130	Plug
JE07	1	1	1	YP10001130	Plug
JE08	1	1	1	YP10001130	Plug
JE09	1	1	1	YP10001130	Plug
JE10	1	1	1	YP10001130	Plug
JE11	1	1	1	YP10001130	Plug
JE12	1	1	1	YP10001130	Plug
JE13	1	1	1	YP10001130	Plug
JE14	1	1	1	YP10001130	Plug
JE15	1	1	1	YP10001130	Plug
JE16	1	1	1	YP10001130	Plug
JE17	1	1	1	YP10001130	Plug
JE18	1	1	1	YP10001130	Plug
JE19	1	1	1	YP10001130	Plug
JE20	1	1	1	YP10001130	Plug
JE21	1	1	1	YP10001130	Plug
JE22	1	1	1	YP10001130	Plug
JE23	1	1	1	YP10001130	Plug
JE24	1	1	1	YP10001130	Plug
JE25	1	1	1	YP10001130	Plug
JE26	1	1	1	YP10001130	Plug
JE27	1	1	1	YP10001130	Plug
JE28	1	1	1	YP10001130	Plug
JE29	1	1	1	YP10001130	Plug
JE30	1	1	1	YP10001130	Plug
JE31	1	1	1	YP10001130	Plug
PE01	1	1	1	YK22150210	P.W. Board, Tone Amp & Volume
	1	1	1	ZZ22150210	P.W. Board Assembly
QE01	1	1	1	HT107982A0	Transistor, 2SA798 F or G (Dual)
QE02	1	1	1	HT107982A0	Transistor, 2SA798 F or G (Dual)
QE03	1	1	1	HT316812A0	Transistor, 2SC1681 Gr or Bl
QE04	1	1	1	HT316812A0	Transistor, 2SC1681 Gr or Bl
QE05	1	1	1	HT107982A0	Transistor, 2SA798 F or G (Dual)
QE06	1	1	1	HT107982A0	Transistor, 2SA798 F or G (Dual)
QE07	1	1	1	HT316812A0	Transistor, 2SA1681 Gr or Bl
QE08	1	1	1	HT316812A0	Transistor, 2SA1681 Gr or Bl
QE09	1	1	1	HT107332B0	Transistor, 2SA733 Q or R
RE01	1	1	1	RM05030710	Res., Variable, 50kΩ (M, N) x 2, Balance
RE02	1	1	1	RG05030050	Res., Variable, 50kΩx2, 20kΩx2, Volume
RE03	1	1	1	GD05105140	Res., Fixed, 1MΩ ±5%, ¼W
RE04	1	1	1	GD05105140	Res., Fixed, 1MΩ ±5%, ¼W
RE05	1	1	1	GD05222140	Res., Fixed, 2.2kΩ ±5%, ¼W

U: For U.S.A.
C: For Canada
E: For Europe

REF. DESIG.	Q'TY			PART NO.	DESCRIPTION
	U	C	E		
RE06	1	1	1	GD05222140	Res., Fixed, 2.2kΩ ±5%, ¼W
RE07	1	1	1	GD05273140	Res., Fixed, 27kΩ ±5%, ¼W
RE08	1	1	1	GD05273140	Res., Fixed, 27kΩ ±5%, ¼W
RE09	1	1	1	GD05104140	Res., Fixed, 100kΩ ±5%, ¼W
RE10	1	1	1	GD05104140	Res., Fixed, 100kΩ ±5%, ¼W
RE11	1	1	1	GD05113140	Res., Fixed, 11kΩ ±5%, ¼W
RE12	1	1	1	GD05113140	Res., Fixed, 11kΩ ±5%, ¼W
RE13	1	1	1	GD05913140	Res., Fixed, 91kΩ ±5%, ¼W
RE14	1	1	1	GD05913140	Res., Fixed, 91kΩ ±5%, ¼W
RE15	1	1	1	GD05471140	Res., Fixed, 470Ω ±5%, ¼W
RE16	1	1	1	GD05471140	Res., Fixed, 470Ω ±5%, ¼W
RE17	1	1	1	GD05472140	Res., Fixed, 4.7kΩ ±5%, ¼W
RE18	1	1	1	GD05472140	Res., Fixed, 4.7kΩ ±5%, ¼W
RE19	1	1	1	GD05183140	Res., Fixed, 18kΩ ±5%, ¼W
RE20	1	1	1	GD05183140	Res., Fixed, 18kΩ ±5%, ¼W
RE21	1	1	1	GD05183140	Res., Fixed, 18kΩ ±5%, ¼W
RE22	1	1	1	GD05183140	Res., Fixed, 18kΩ ±5%, ¼W
RE23	1	1	1	GD05514140	Res., Fixed, 510kΩ ±5%, ¼W
RE24	1	1	1	GD05514140	Res., Fixed, 510kΩ ±5%, ¼W
RE25	1	1	1	GD05273140	Res., Fixed, 27kΩ ±5%, ¼W
RE26	1	1	1	GD05273140	Res., Fixed, 27kΩ ±5%, ¼W
RE27	1	1	1	GD05203140	Res., Fixed, 20kΩ ±5%, ¼W
RE28	1	1	1	GD05203140	Res., Fixed, 20kΩ ±5%, ¼W
RE29	1	1	1	GD05822140	Res., Fixed, 8.2kΩ ±5%, ¼W
RE30	1	1	1	GD05822140	Res., Fixed, 8.2kΩ ±5%, ¼W
RE31	1	1	1	GD05822140	Res., Fixed, 8.2kΩ ±5%, ¼W
RE32	1	1	1	GD05822140	Res., Fixed, 8.2kΩ ±5%, ¼W
RE33	1	1	1	GD05472140	Res., Fixed, 4.7kΩ ±5%, ¼W
RE34	1	1	1	GD05472140	Res., Fixed, 4.7kΩ ±5%, ¼W
RE35	1	1	1	GD05562140	Res., Fixed, 5.6kΩ ±5%, ¼W
RE36	1	1	1	GD05562140	Res., Fixed, 5.6kΩ ±5%, ¼W
RE37	1	1	1	GD05562140	Res., Fixed, 5.6kΩ ±5%, ¼W
RE38	1	1	1	GD05562140	Res., Fixed, 5.6kΩ ±5%, ¼W
RE39	1	1	1	GD05113140	Res., Fixed, 11kΩ ±5%, ¼W
RE40	1	1	1	GD05113140	Res., Fixed, 11kΩ ±5%, ¼W
RE41	1	1	1	GD05113140	Res., Fixed, 11kΩ ±5%, ¼W
RE42	1	1	1	GD05113140	Res., Fixed, 11kΩ ±5%, ¼W
RE43	1	1	1	GD05222140	Res., Fixed, 2.2kΩ ±5%, ¼W
RE44	1	1	1	GD05222140	Res., Fixed, 2.2kΩ ±5%, ¼W
RE45	1	1	1	GD05123140	Res., Fixed, 12kΩ ±5%, ¼W
RE46	1	1	1	GD05123140	Res., Fixed, 12kΩ ±5%, ¼W
RE47	1	1	1	GD05124140	Res., Fixed, 120kΩ ±5%, ¼W
RE48	1	1	1	GD05124140	Res., Fixed, 120kΩ ±5%, ¼W
RE49	1	1	1	GD05105140	Res., Fixed, 1MΩ ±5%, ¼W
RE50	1	1	1	GD05105140	Res., Fixed, 1MΩ ±5%, ¼W
RE51	1	1	1	GD05330140	Res., Fixed, 33Ω ±5%, ¼W
RE52	1	1	1	GD05330140	Res., Fixed, 33Ω ±5%, ¼W
RE53	1	1	1	GD05682140	Res., Fixed, 6.8kΩ ±5%, ¼W
RE54	1	1	1	GD05682140	Res., Fixed, 6.8kΩ ±5%, ¼W
RE55	1	1	1	RD01040080	Res., Variable, 100kΩ(B), Bass
RE56	1	1	1	RD01040080	Res., Variable, 100kΩ(B), Mid
RE57	1	1	1	RD01040080	Res., Variable, 100kΩ(B), Treble
RE58	1	1	1	GD05222140	Res., Fixed, 2.2kΩ ±5%, ¼W
RE59	1	1	1	GD05222140	Res., Fixed, 2.2kΩ ±5%, ¼W
RE60	1	1	1	GD05103140	Res., Fixed, 10kΩ ±5%, ¼W
RE61	1	1	1	GD05103140	Res., Fixed, 10kΩ ±5%, ¼W
RE62	1	1	1	GD05334140	Res., Fixed, 330kΩ ±5%, ¼W
RE63	1	1	1	GD05334140	Res., Fixed, 330kΩ ±5%, ¼W
RE64	1	1	1	GD05222140	Res., Fixed, 2.2kΩ ±5%, ¼W
RE65	1	1	1	GD05100140	Res., Fixed, 10Ω ±5%, ¼W

REF. DESIG.	Q'TY			PART NO.	DESCRIPTION
	U	C	E		
SE01	1	1	1	SR04050150	Rotary Switch, Mode
SE02	1	1	1	SR04050140	Rotary Switch, Tone Mode
CH01	1	1	1	DF15104010	Cap., Film, 0.1μF ±5%, 50V
CH02	1	1	1	DF15104010	Cap., Film, 0.1μF ±5%, 50V
CH03	1	1	1	DF15104010	Cap., Film, 0.1μF ±5%, 50V
CH04	1	1	1	DF15104010	Cap., Film, 0.1μF ±5%, 50V
CH05	1	1	1	DF15104010	Cap., Film, 0.1μF ±5%, 50V
CH06	1	1	1	DF15104010	Cap., Film, 0.1μF ±5%, 50V
CH07	1	1	1	DF15152010	Cap., Film, 1500pF±5%, 50V
CH08	1	1	1	DF15152010	Cap., Film, 1500pF±5%, 50V
CH09	1	1	1	DF15222010	Cap., Film, 2200pF±5%, 50V
CH10	1	1	1	DF15222010	Cap., Film, 2200pF±5%, 50V
CH11	1	1	1	DF65391010	Cap., Film, 390pF ±5%, 50V
CH12	1	1	1	DF65391010	Cap., Film, 390pF ±5%, 50V
CH13	1	1	1	DF17224010	Cap., Film, 0.22μF±20%, 35V
CH14	1	1	1	DF17224010	Cap., Film, 0.22μF±20%, 35V
CH15	1	1	1	EE10602540	Cap., Elect., 10μF ±20%, 25V
CH16	1	1	1	EE10602540	Cap., Elect., 10μF ±20%, 25V
CH17	1	1	1	DF15102050	Cap., Film, 1000pF±5%, 50V
CH18	1	1	1	DF15102050	Cap., Film, 1000pF±5%, 50V
CH19	1	1	1	DF15104050	Cap., Film, 0.1μF ±5%, 50V
CH20	1	1	1	DF15104050	Cap., Film, 0.1μF ±5%, 50V
JH01	1	1	1	YP10001130	Plug
JH02	1	1	1	YP10001130	Plug
JH03	1	1	1	YP10001130	Plug
JH04	1	1	1	YP10001130	Plug
JH05	1	1	1	YP10001130	Plug
JH06	1	1	1	YP10001130	Plug
JH07	1	1	1	YP10001130	Plug
JH08	1	1	1	YP10001130	Plug
JH09	1	1	1	YP10001130	Plug
JH10	1	1	1	YP10001130	Plug
JH11	1	1	1	YP10001130	Plug
JH12	1	1	1	YP10001130	Plug
JH13	1	1	1	YP10001130	Plug
JH14	1	1	1	YP10001130	Plug
JH15	1	1	1	YP10001130	Plug
JH16	1	1	1	YP10001130	Plug
JH17	1	1	1	YP10001130	Plug
JH18	1	1	1	YP10001130	Plug
JH19	1	1	1	YP10001130	Plug
JH20	1	1	1	YP10001130	Plug
JH21	1	1	1	YP10001130	Plug
JH22	1	1	1	YP10001130	Plug
JH23	1	1	1	YP10001130	Plug
JH24	1	1	1	YP10001130	Plug
JH25	1	1	1	YP10001130	Plug
JH26	1	1	1	YP10001130	Plug
JH27	1	1	1	YP10001130	Plug
JH28	1	1	1	YP10001130	Plug
JH29	1	1	1	YP10001130	Plug
JH30	1	1	1	YP10001130	Plug
JH31	1	1	1	YP10001130	Plug
JH32	1	1	1	YP10001130	Plug
JH33	1	1	1	YP10001130	Plug
JH34	1	1	1	YP10001130	Plug
JH35	1	1	1	YP10001130	Plug
JH36	1	1	1	YP10001130	Plug
JH37	1	1	1	YP10001130	Plug

REF. DESIG.	Q'TY			PART NO.	DESCRIPTION
	U	C	E		
PH01	1	1	1	YK22150220	P.W. Board, Tape Mon., Filter & Loudness Switches
	1	1	1	ZZ22150220	P.W. Board Assembly
PH02	1	1	1	YF22130060	P.W. Board
QH01	1	1	1	HT320882A0	Transistor, 2SC2088 BI
QH02	1	1	1	HT320882A0	Transistor, 2SC2088 BI
QH03	1	1	1	HT320882A0	Transistor, 2SC2088 BI
QH04	1	1	1	HT320882A0	Transistor, 2SC2088 BI
RH01	1	1	1	GD05334140	Res., Fixed, 330kΩ ±5%, ¼W
RH02	1	1	1	GD05334140	Res., Fixed, 330kΩ ±5%, ¼W
RH03	1	1	1	GD05244140	Res., Fixed, 240kΩ ±5%, ¼W
RH04	1	1	1	GD05244140	Res., Fixed, 240kΩ ±5%, ¼W
RH05	1	1	1	GD05102140	Res., Fixed, 1kΩ ±5%, ¼W
RH06	1	1	1	GD05102140	Res., Fixed, 1kΩ ±5%, ¼W
RH07	1	1	1	GD05513140	Res., Fixed, 51kΩ ±5%, ¼W
RH08	1	1	1	GD05513140	Res., Fixed, 51kΩ ±5%, ¼W
RH09	1	1	1	GD05103140	Res., Fixed, 10kΩ ±5%, ¼W
RH10	1	1	1	GD05103140	Res., Fixed, 10kΩ ±5%, ¼W
RH11	1	1	1	GD05114140	Res., Fixed, 110kΩ ±5%, ¼W
RH12	1	1	1	GD05114140	Res., Fixed, 110kΩ ±5%, ¼W
RH13	1	1	1	GD05113140	Res., Fixed, 11kΩ ±5%, ¼W
RH14	1	1	1	GD05113140	Res., Fixed, 11kΩ ±5%, ¼W
RH15	1	1	1	GD05113140	Res., Fixed, 11kΩ ±5%, ¼W
RH16	1	1	1	GD05113140	Res., Fixed, 11kΩ ±5%, ¼W
RH17	1	1	1	GD05103140	Res., Fixed, 10kΩ ±5%, ¼W
RH18	1	1	1	GD05103140	Res., Fixed, 10kΩ ±5%, ¼W
RH19	1	1	1	GD05115140	Res., Fixed, 1.1MΩ ±5%, ¼W
RH20	1	1	1	GD05115140	Res., Fixed, 1.1MΩ ±5%, ¼W
RH21	1	1	1	GD05102140	Res., Fixed, 1kΩ ±5%, ¼W
RH22	1	1	1	GD05102140	Res., Fixed, 1kΩ ±5%, ¼W
RH23	1	1	1	GD05472140	Res., Fixed, 4.7kΩ ±5%, ¼W
RH24	1	1	1	GD05472140	Res., Fixed, 4.7kΩ ±5%, ¼W
RH25	1	1	1	GD05102140	Res., Fixed, 1kΩ ±5%, ¼W
RH26	1	1	1	GD05102140	Res., Fixed, 1kΩ ±5%, ¼W
RH27	1	1	1	GD05224140	Res., Fixed, 240kΩ ±5%, ¼W
RH28	1	1	1	GD05224140	Res., Fixed, 240kΩ ±5%, ¼W
RH29	1	1	1	GD05682140	Res., Fixed, 6.8kΩ ±5%, ¼W
RH30	1	1	1	GD05682140	Res., Fixed, 6.8kΩ ±5%, ¼W
RH31	1	1	1	GD05432140	Res., Fixed, 4.3kΩ ±5%, ¼W
RH32	1	1	1	GD05432140	Res., Fixed, 4.3kΩ ±5%, ¼W
SH01	1	1	1	SP04070030	Pushswitch
JK01	1	1	1	YP10001130	Plug
JK02	1	1	1	YP10001130	Plug
JK03	1	1	1	YP10001130	Plug
JK04	1	1	1	YP10001130	Plug
JK05	1	1	1	YP10001130	Plug
JK06	1	1	1	YP10001130	Plug
JK07	1	1	1	YP10001130	Plug
JK08	1	1	1	YP10001130	Plug
JK09	1	1	1	YJ07000120	Jack, 10P
PK01	1	1	1	YA22180310	P.W. Board, Dolby Socket
	1	1	1	ZZ22180310	P.W. Board Assembly
SK01	1	1	1	SC01020240	Micro Switch
SK02	1	1	1	SC01020240	Micro Switch
FP01	1	1	1	FS10400060	Fuse, 4A 250V
FP01	1	1	1	FS10400800	Fuse, 4AT 250V
FP02	1	1	1	FS10100070	Fuse, 1A 250V
FP02	1	1	1	FS10100800	Fuse, 1AT 250V

REF. DESIG.	Q'TY			PART NO.	DESCRIPTION
	U	C	E		
FP03	1	1	1	FS10100070	Fuse, 1A 250V
FP03	1	1	1	FS10100800	Fuse, 1AT 250V
JP01	1	1	1	YJ08000200	Jack
JP02	1	1	1	YJ08000200	Jack
JP03	1	1	1	YJ08000200	Jack
JP04	1	1	1	YJ08000200	Jack, Socket
JP05	1	1	1	YJ08000200	Jack
JP06	1	1	1	YJ08000200	Jack, Socket
JP07	1	1	1	YP10001130	Plug, Pin
JP08	1	1	1	YP10001130	Plug, Pin
JP09	1	1	1	YP10001130	Plug, Pin
JP10	1	1	1	YP10001130	Plug, Pin
JP11	1	1	1	YP10001130	Plug, Pin
JP12	1	1	1	YP10001130	Plug, Pin
PP01	1	1	1	YF22130070	P.W. Board, Fuse
	1	1	1	ZZ22130070	P.W. Board Assembly
PP01	1	1	1	YF22130080	P.W. Board, Fuse
	1	1	1	ZZ22130080	P.W. Board Assembly
CU01	1	1	1	DK18403010	Cap., Ceramic, 0.04μF, 50V
CU02	1	1	1	DK18203010	Cap., Ceramic, 0.02μF, 50V
CU03	1	1	1	EA10601690	Cap., Elect., 10μF +50%, -10%, 16V
CU04	1	1	1	EA10601690	Cap., Elect., 10μF +50%, -10%, 16V
CU05	1	1	1	EA47503590	Cap., Elect., 4.7μF +50%, -10%, 35V
CU06	1	1	1	EA10601690	Cap., Elect., 10μF +50%, -10%, 16V
CU07	1	1	1	EA47503590	Cap., Elect., 4.7μF +50%, -10%, 35V
CU08	1	1	1	EA47601090	Cap., Elect., 47μF +50%, -10%, 10V
JU01	1	1	1	YP10001130	Plug
JU02	1	1	1	YP10001130	Plug
JU03	1	1	1	YP10001130	Plug
JU04	1	1	1	YP10001130	Plug
JU05	1	1	1	YP10001130	Plug
JU06	1	1	1	YP10001130	Plug
JU07	1	1	1	YP10001130	Plug
JU08	1	1	1	YP10001130	Plug
JU09	1	1	1	YP10001130	Plug
JU10	1	1	1	YP10001130	Plug
JU11	1	1	1	YP10001130	Plug
JU12	1	1	1	YP10001130	Plug
JU13	1	1	1	YP10001130	Plug
JU14	1	1	1	YP10001130	Plug
JU15	1	1	1	YP10001130	Plug
JU16	1	1	1	YP10001130	Plug
JU17	1	1	1	YP10001130	Plug
JU18	1	1	1	YP10001130	Plug
PU01	1	1	1	YK22150410	P.W. Board, Speaker Switches
	1	1	1	ZZ22150410	P.W. Board Assembly
QU01	1	1	1	HT308282A0	Transistor, 2SC828 R or S
QU02	1	1	1	HT308282A0	Transistor, 2SC828 R or S
QU03	1	1	1	HD10003020	Diode, 20A90M
QU04	1	1	1	HD10003020	Diode, 20A90M

U: For U.S.A.
C: For Canada
E: For Europe

REF. DESIG.	Q'TY			PART NO.	DESCRIPTION
	U	C	E		
RU01	1	1	1	GQ10331030	Res., Fixed, 330Ω ±10%, 3W
RU02	1	1	1	GQ10331030	Res., Fixed, 330Ω ±10%, 3W
RU03	1	1	1	GJ05151010	Res., Fixed, 150Ω ±5%, 1W
RU04	1	1	1	GJ05151010	Res., Fixed, 150Ω ±5%, 1W
RU05	1	1	1	GD05105140	Res., Fixed, 1MΩ ±5%, ¼W
RU06	1	1	1	GD05222140	Res., Fixed, 2.2kΩ ±5%, ¼W
RU07	1	1	1	GD05102140	Res., Fixed, 1kΩ ±5%, ¼W
RU08	1	1	1	GD05132140	Res., Fixed, 1.3kΩ ±5%, ¼W
RU09	1	1	1	GD05123140	Res., Fixed, 12kΩ ±5%, ¼W
RU10	1	1	1	GD05333140	Res., Fixed, 33kΩ ±5%, ¼W
RU11	1	1	1	GD05222140	Res., Fixed, 2.2kΩ ±5%, ¼W
RU12	1	1	1	GD05821140	Res., Fixed, 820Ω ±5%, ¼W
RU13	1	1	1	GD05512140	Res., Fixed, 5.1kΩ ±5%, ¼W
RU14	1	1	1	GD05751140	Res., Fixed, 750Ω ±5%, ¼W
SU01	1	1	1	SP04050170	Pushswitch
JY01	1	1	1	YP10001130	Plug
JY02	1	1	1	YP10001130	Plug
JY03	1	1	1	YP10001130	Plug
JY04	1	1	1	YP10001130	Plug
JY05	1	1	1	YP10001130	Plug
JY06	1	1	1	YP10001130	Plug
JY07	1	1	1	YP10001130	Plug
JY08	1	1	1	YP10001130	Plug
PY01	1	1	1	YP22130040	P.W. Board, Function Lamp
	1	1	1	ZZ22130040	P.W. Board Assembly
QY01	1	1	1	HI10004030	L.E.D., SPL-132P
QY02	1	1	1	HI10004030	L.E.D., SPL-132P
QY03	1	1	1	HI10004030	L.E.D., SPL-132P
QY04	1	1	1	HI10004030	L.E.D., SPL-132P
QY05	1	1	1	HI10004030	L.E.D., SPL-132P
QY06	1	1	1	HI10004030	L.E.D., SPL-132P
RY01	1	1	1	RT05102140	Res., Fixed, 1kΩ±5%, ¼W
RY03	1	1	1	RC00000120	Res., Fixed, 0Ω, ¼W
RY04	1	1	1	RT05102140	Res., Fixed, 1kΩ±5%, ¼W
JZ01	1	1	1	YJ08000170	Jack
JZ02	1	1	1	YJ08000170	Jack
JZ03	1	1	1	YJ08000170	Jack
JZ04	1	1	1	YJ08000170	Jack
JZ05	1	1	1	YJ08000170	Jack
JZ06	1	1	1	YJ08000170	Jack
JZ07	1	1	1	YJ08000170	Jack
JZ08	1	1	1	YJ08000170	Jack
JZ09	1	1	1	YJ08000170	Jack
JZ10	1	1	1	YJ08000170	Jack
JZ11	1	1	1	YJ08000170	Jack
JZ12	1	1	1	YJ08000170	Jack
JZ13	1	1	1	YP10001130	Plug
JZ14	1	1	1	YP10001130	Plug
JZ15	1	1	1	YP10001130	Plug
JZ16	1	1	1	YP10001130	Plug
JZ17	1	1	1	YP10001130	Plug
JZ18	1	1	1	YP10001130	Plug
JZ19	1	1	1	YP10001130	Plug
JZ20	1	1	1	YP10001130	Plug
JZ21	1	1	1	YP10001130	Plug
PZ01	1	1	1	YF22250010	P.W. Board, Dial Lamp
	1	1	1	ZZ22151010	P.W. Board Assembly

REF. DESIG.	Q'TY			PART NO.	DESCRIPTION
	U	C	E		
VZ01	1	1	1	IN10080070	Lamp, 8V 200mA
VZ02	1	1	1	IN10080070	Lamp, 8V 200mA
VZ03	1	1	1	IN10080070	Lamp, 8V 200mA
VZ04	1	1	1	IN10080070	Lamp, 8V 200mA
VZ05	1	1	1	IN10080070	Lamp, 8V 200mA
VZ06	1	1	1	IN10080070	Lamp, 8V 200mA
C001	1	1	1	DK17103010	Cap., Ceramic, 0.01μF±20%, 50V
C002	1	1	1	DK17103010	Cap., Ceramic, 0.01μF±20%, 50V
C003	1	1	1	DF17104530	Cap., Film, 0.1μF±20%, 200V
C004	1	1	1	DF17104530	Cap., Film, 0.1μF±20%, 200V
C005	1	1	1	DF17104530	Cap., Film, 0.1μF±20%, 200V
C006	1	1	1	DF17104530	Cap., Film, 0.1μF±20%, 200V
C007	1	1	1	ES68808010	Cap., Elect., 6800μF +50%, -10%, 80V
C008	1	1	1	ES68808010	Cap., Elect., 6800μF +50%, -10%, 80V
C009			1	DO07223510	Cap., Oil-Paper, 0.022μF, 450V
C010			1	DF17223800	Cap., Film, 0.022μF, 450V
F001			1	FS10500800	Fuse, 5A 250V
F001			1	FS10800020	Fuse, 8A 250V
F001			1	FS10800040	Fuse, 8A 250V
G001			1	BF10400040	Cap. Comp.
G001			1	BF10400050	Cap. Comp.
J001	1	1	1	YT02010130	Terminal, Quadradial Out
J002	1	1	1	YT01010050	Terminal, Chassis Ground
J003	1	1	1	YJ01001080	Jack, Dubbing Out
J004	1	1	1	YJ01001070	Jack, Dubbing In
J005	1	1	1	YT02040190	Terminal, Phono 1/Phono 2
J006	1	1	1	YT02040140	Terminal, Tape Mon. 1
J007	1	1	1	YT02040170	Terminal, Pre Out/Main In
J008	1	1	1	YJ01001080	Jack, Phones
J009	1	1	1	YJ08000120	Jack, Fuse Holder
J009			1	YJ08000220	Jack, Fuse Holder
J009			1	YJ08000230	Jack, Fuse Holder
J010	1	1	1	YT03040160	Terminal, System 1
J011	1	1	1	YT03040160	Terminal, System 2
J012	1	1	1	YJ04000560	Jack, AC Outlet
J013	1	1	1	YJ04000560	Jack, AC Outlet
J014	1	1	1	YJ08000250	Jack, Lamp Holder
J015	1	1	1	YJ08000250	Jack, Lamp Holder
J016	1	1	1	YJ06001050	Jack, 5P
J017	1	1	1	YJ06001050	Jack, 5P
J018	1	1	1	YJ06001040	Jack, 3P
J019	1	1	1	YJ06001040	Jack, 3P
J020			1	BY03110010	Plug, Voltage Selector
J021	1	1	1	YJ05000220	Jack
J022	1	1	1	YJ05000220	Jack
J023	1	1	1	YJ05000220	Jack
J024	1	1	1	YJ05000220	Jack
J025	1	1	1	YJ05000220	Jack
J026	1	1	1	YJ05000220	Jack
J027	1	1	1	YJ05000220	Jack
J028	1	1	1	YJ05000220	Jack
J029	1	1	1	YT02020140	Terminal, Aux
J029			1	YT02040140	Terminal, Aux 1/Aux 2
J030	1	1	1	YT02040140	Terminal, Tape Mon. 2
J031	1	1	1	YL09030010	Terminal, 3P
L001	1	1	1	LF11200520	Antenna Coil, AM
L003	1	1	1	LC13320020	Choke Coil, AM
L004	1	1	1	TS63302190	Power Transformer

REF. DESIG.	Q'TY			PART NO.	DESCRIPTION
	U	C	E		
L004			1	TS63302200	Power Transformer
M001	1	1	1	IM11055052	D.C. Meter, Tuning
M002	1	1	1	IM11055042	D.C. Meter, Signal Strength
Q001	1	1	1	HT206452A0	Transistor, 2SB645 R or O
Q002	1	1	1	HT206452A0	Transistor, 2SB645 R or O
Q003	1	1	1	HT406652A0	Transistor, 2SD665 R or O
Q004	1	1	1	HT406652A0	Transistor, 2SD665 R or O
Q005	1	1	1	HT206452A0	Transistor, 2SB645 R or O
Q006	1	1	1	HT206452A0	Transistor, 2SB645 R or O
Q007	1	1	1	HT406652A0	Transistor, 2SD665 R or O
Q008	1	1	1	HT406652A0	Transistor, 2SD665 R or O
Q009	1	1	1	HD20004290	Diode, S5VB
Q010	1	1	1	HD20004290	Diode, S5VB
R001	1	1	1	GJ05562020	Res., Fixed, 5.6kΩ ±5%, 2W
R002	1	1	1	GJ05562020	Res., Fixed, 5.6kΩ ±5%, 2W
R003	1	1	1	GJ05562020	Res., Fixed, 5.6kΩ ±5%, 2W
R004	1	1	1	GJ05562020	Res., Fixed, 5.6kΩ ±5%, 2W
R005	1	1	1	RC10225120	Res., Fixed, 2.2MΩ ±10%, ½W
R006	1	1	1	GF05150140	Res., Fixed, 15Ω ±5%, ¼W
S001	1	1	1	SP02010280	Pushswitch, Power
S001			1	SP02010300	Pushswitch, Power
V001	1	1	1	IN10080340	Lamp, Stereo
V002	1	1	1	IN10080340	Lamp, DLB-1
V004	1	1	1	IN10080430	Lamp, Meter
V005	1	1	1	IN10080430	Lamp, Meter
W001	1	1	1	YC01900030	A.C. Power Cord
W001	1	1	1	YC02400250	A.C. Power Cord
C101	1	1	1	CA43700020	Cap., Variable, FM-4 AM-3
C102	1	1	1	DD16120020	Cap., Ceramic, 12pF
C103	1	1	1	DD16101010	Cap., Ceramic, 10pF
C104	1	1	1	DD15200010	Cap., Ceramic, 20pF
C105	1	1	1	DK18203030	Cap., Ceramic, 0.02μF
C106	1	1	1	DK18203030	Cap., Ceramic, 0.02μF
C107	1	1	1	DD16120020	Cap., Ceramic, 12pF
C108	1	1	1	DD16120020	Cap., Ceramic, 12pF
C109	1	1	1	DD10010020	Cap., Ceramic, 1pF
C110	1	1	1	DD16150040	Cap., Ceramic, 15pF
C111	1	1	1	DD16082010	Cap., Ceramic, 8.2pF
C112	1	1	1	DD16470020	Cap., Ceramic, 47pF
C113	1	1	1	DD16150030	Cap., Ceramic, 15pF
C114	1	1	1	DK18203030	Cap., Ceramic, 0.02μF
C115	1	1	1	DK18203030	Cap., Ceramic, 0.02μF
C116	1	1	1	DK18203030	Cap., Ceramic, 0.02μF
J101	1	1	1	YJ06001150	Jack
J102	1	1	1	YJ06001150	Jack
L106	1	1	1	LI 70039010	I.F.T., TM 122
L107	1	1	1	LC13920010	Choke Coil, WU 111
P100	1	1	1	YD29920010	P.W. Board, FM Front End
A001	1	1	1	AV01202070	FM Front End Assembly
Q101	1	1	1	HF400451B0	F.E.T., 3SK45B
Q102	1	1	1	HF400591A0	F.E.T., 3SK59 Y
Q103	1	1	1	HT307101C0	Transistor, 2SC710 C
R101	1	1	1	GD05104140	Res., 100kΩ ±5%, ¼W
R102	1	1	1	GD05470140	Res., 47Ω ±5%, ¼W
R103	1	1	1	GD05104140	Res., 100kΩ ±5%, ¼W
R104	1	1	1	GD05105140	Res., 1MΩ ±5%, ¼W
R105	1	1	1	GD05681140	Res., 680Ω ±5%, ¼W
R106	1	1	1	GD05153140	Res., 15kΩ ±5%, ¼W
R107	1	1	1	GD05472140	Res., 4.7kΩ ±5%, ¼W

REF. DESIG.	Q'TY			PART NO.	DESCRIPTION
	U	C	E		
R108	1	1	1	GD05103140	Res., 10kΩ ±5%, ¼W
R109	1	1	1	GD05821140	Res., 820Ω ±5%, ¼W
R110	1	1	1	GD05101140	Res., 100 Ω ±5%, ¼W
R111	1	1	1	GD05101140	Res., 100Ω ±5%, ¼W
R112	1	1	1	GD05330140	Res., 33Ω ±5%, ¼W
001K	1	1	1	2210109020	Shield
002K	2	2	2	5106030389	P.H.M. Screw, P3x3
003K	2	2	2	2210109030	Shield
004K	1	1	1	2210109040	Shield
005K	4	4	4	5106030389	P.H.M. Screw, P3x3
C151	1	1	1	DK18103010	Cap., Ceramic, 0.01μF
C152	1	1	1	EA10701690	Cap., Elect., 100μF, 16V
C153	1	1	1	DK17102010	Cap., Ceramic, 0.001μF
C154	1	1	1	DK18103010	Cap., Ceramic, 0.01μF
C155	1	1	1	DK18103010	Cap., Ceramic, 0.01μF
C156	1	1	1	DF17223010	Cap., Film, 0.022μF
C157	1	1	1	DD16150010	Cap., Ceramic, 15pF
C158	1	1	1	DF65391010	Cap., Film, 390pF
C159	1	1	1	DK18403020	Cap., Ceramic, 0.04μF
C160	1	1	1	DD15820010	Cap., Ceramic, 82pF
C161	1	1	1	DK18103010	Cap., Ceramic, 0.01μF
C162	1	1	1	DK18403020	Cap., Ceramic, 0.04μF
C163	1	1	1	EA47502590	Cap., Elect., 4.7μF, 25V
C164	1	1	1	EA10601690	Cap., Elect., 10μF, 16V
C165	1	1	1	DK17102010	Cap., Ceramic, 0.001μF
C166	1	1	1	DK18103010	Cap., Ceramic, 0.01μF
C167	1	1	1	DK17502010	Cap., Ceramic, 0.005μF
C168	1	1	1	EE22405040	Cap., Elect., 0.22μF, 50V
C169	1	1	1	EA10701690	Cap., Elect., 100μF, 16V
C170	1	1	1	EA10505090	Cap., Elect., 1μF, 50V
C171	1	1	1	DK18103010	Cap., Ceramic, 0.01μF
C201	1	1	1	DK18103010	Cap., Ceramic, 0.01μF
C202	1	1	1	DK18403020	Cap., Ceramic, 0.04μF
C203	1	1	1	DK18403020	Cap., Ceramic, 0.04μF
C204	1	1	1	DK18403020	Cap., Ceramic, 0.04μF
C205	1	1	1	DD16200010	Cap., Ceramic, 20pF
C206	1	1	1	DK18403020	Cap., Ceramic, 0.04μF
C207	1	1	1	DK18403020	Cap., Ceramic, 0.04μF
C208	1	1	1	DK18403020	Cap., Ceramic, 0.04μF
C209	1	1	1	DK18403020	Cap., Ceramic, 0.04μF
C210	1	1	1	DF16403010	Cap., Film, 0.04μF
C211	1	1	1	EA47502590	Cap., Elect., 4.7μF, 25V
C212	1	1	1	EA22505090	Cap., Elect., 2.2μF, 50V
C213	1	1	1	DD11020010	Cap., Ceramic, 2pF
C214	1	1	1	DD12100010	Cap., Ceramic, 10pF
C215	1	1	1	EA10601690	Cap., Elect., 10μF, 16V
C216	1	1	1	DD16201010	Cap., Ceramic, 200pF
C217	1	1	1	DK18403020	Cap., Ceramic, 0.04μF
C218	1	1	1	EA47601690	Cap., Elect., 47μF, 16V
C219	1	1	1	EA10601690	Cap., Elect., 10μF, 16V
C220	1	1	1	DF17683010	Cap., Film, 0.068μF
C221	1	1	1	DK18103010	Cap., Ceramic, 0.01μF
C222	1	1	1	EA10505090	Cap., Elect., 1μF, 50V
C223	1	1	1	EA10601690	Cap., Elect., 10μF, 16V
C224	1	1	1	EA47405090	Cap., Elect., 0.47μF, 50V
C225	1	1	1	DK18403020	Cap., Ceramic, 0.04μF
C226	1	1	1	DK18403020	Cap., Ceramic, 0.04μF
C227	1	1	1	EA10505090	Cap., Elect., 1μF, 50V
C228	1	1	1	DK18403020	Cap., Ceramic, 0.04μF
C229	1	1	1	EA47505090	Cap., Elect., 4.7μF, 50V

U: For U.S.A.
C: For Canada
E: For Europe

REF. DESIG.	Q'TY			PART NO.	DESCRIPTION
	U	C	E		
C230	1	1	1	EA10701690	Cap., Elect., 100 μ F, 16V
C231	1	1	1	DK18403020	Cap., Ceramic, 0.04 μ F
C233	1	1	1	DK18103010	Cap., Ceramic, 0.01 μ F
C234	1	1	1	DK18103010	Cap., Ceramic, 0.01 μ F
C235	1	1	1	DK18403020	Cap., Ceramic, 0.04 μ F
C236	1	1	1	DK18403020	Cap., Ceramic, 0.04 μ F
C237	1	1	1	DK18103010	Cap., Ceramic, 0.01 μ F
C238	1	1	1	DK18103010	Cap., Ceramic, 0.01 μ F
C239	1	1	1	EA47601690	Cap., Elect., 47 μ F, 16V
C240	1	1	1	EA10601690	Cap., Elect., 10 μ F, 16V
C241	1	1	1	DK18403020	Cap., Ceramic, 0.04 μ F
C242	1	1	1	DD16201010	Cap., Ceramic, 200pF
C243	1	1	1	DD16101010	Cap., Ceramic, 100pF
C244	1	1	1	DK18403020	Cap., Ceramic, 0.04 μ F
C245	1	1	1	DK18103010	Cap., Ceramic, 0.01 μ F
C246	1	1	1	EQ22405010	Cap., Elect., 0.22 μ F, 50V
C247	1	1	1	DK18403020	Cap., Ceramic, 0.04 μ F
C248	1	1	1	DK18403020	Cap., Ceramic, 0.04 μ F
C249	1	1	1	DK18403020	Cap., Ceramic, 0.04 μ F
C306	1	1	1	EA10701690	Cap., Elect., 100 μ F, 16V
C307	1	1	1	DF17473010	Cap., Film, 0.047 μ F
C308	1	1	1	EE33502510	Cap., Elect., 3.3 μ F, 25V
C309	1	1	1	EE22505010	Cap., Elect., 2.2 μ F, 50V
C310	1	1	1	EQ22405010	Cap., Elect., 0.22 μ F, 50V
C311	1	1	1	DF65361500	Cap., Film, 360pF
C312	1	1	1	DD16201010	Cap., Ceramic, 200pF
C313	1	1	1	DD16201010	Cap., Ceramic, 200pF
C314	1	1	1	EA10601690	Cap., Elect., 10 μ F, 16V
C315	1	1	1	EA10601690	Cap., Elect., 10 μ F, 16V
C316	1	1	1	DF15153010	Cap., Film, 0.015 μ F
C317	1	1	1	DF15182050	Cap., Film, 1800pF
C317	1	1	1	DF15472050	Cap., Film, 4700pF
C318	1	1	1	DF15182050	Cap., Film, 1800pF
C318	1	1	1	DF15472050	Cap., Film, 4700pF
C319	1	1	1	EE10601640	Cap., Elect., 10 μ F, 16V
C320	1	1	1	EE10601640	Cap., Elect., 10 μ F, 16V
C321	1	1	1	EE47502540	Cap., Elect., 4.7 μ F, 25V
C322	1	1	1	EE47502540	Cap., Elect., 4.7 μ F, 25V
C323	1	1	1	EE22505010	Cap., Elect., 2.2 μ F, 50V
C324	1	1	1	EE22505010	Cap., Elect., 2.2 μ F, 50V
C325	1	1	1	EA47603590	Cap., Elect., 47 μ F, 35V
C326	1	1	1	DF65182010	Cap., Film, 1800pF
C327	1	1	1	EA22505090	Cap., Elect., 2.2 μ F, 50V
C328	1	1	1	DD16501010	Cap., Ceramic, 500pF
C329	1	1	1	DD16600010	Cap., Ceramic, 60pF
C330	1	1	1	DD16600010	Cap., Ceramic, 60pF
C337	1	1	1	EA47502590	Cap., Elect., 4.7 μ F, 25V
C339	1	1	1	DD15331010	Cap., Ceramic, 330pF
C339	1	1	1	DF55471010	Cap., Film, 470pF
C340	1	1	1	DD15331010	Cap., Ceramic, 330pF
C340	1	1	1	DF55471010	Cap., Film, 470pF
F151	1	1	1	FF10045180	Ceramic Filter, A M
F201	1	1	1	FF11070050	Ceramic Filter, F M
F202	1	1	1	FF11070050	Ceramic Filter, F M
F203	1	1	1	FF11070050	Ceramic Filter, F M
F204	1	1	1	FF11070050	Ceramic Filter, F M
L151	1	1	1	LC13320020	Choke Coil, 3.3 μ H
L152	1	1	1	LA10010190	Ant Coil, A M
L153	1	1	1	LO10010480	OSC Coil, A M
L154	1	1	1	LC13320020	Choke Coil, 3.3 μ H
L155	1	1	1	LI10015010	I.F.T., A M

REF. DESIG.	Q'TY			PART NO.	DESCRIPTION
	U	C	E		
L156	1	1	1	LI10015060	I.F.T., A M
L201	1	1	1	LI10016020	I.F.T., F M
L202	1	1	1	LC13320020	Choke Coil, 3.3 μ H
L203	1	1	1	LC13320020	Choke Coil, 3.3 μ H
L204	1	1	1	LC11830010	Choke Coil, 18 μ H
L205	1	1	1	LI14019020	I.F.T., F M
L206	1	1	1	LC21050010	Choke Coil, 1mH
L301	1	1	1	LS35035010	M.P.X. Coil
L302	1	1	1	LS35040010	M.P.X. Coil
L303	1	1	1	LS10290190	M.P.X. Coil
P200	1	1	1	YG22150010	P.W. Board, A M Tuner, F M I F & M P X
	1	1	1	ZZ22150010	P.W. Board Assembly
			1	ZZ22158010	P.W. Board Assembly
Q151	1	1	1	HC10019010	I. C., HA 1197
Q152	1	1	1	HT313272A0	Transistor, 2SC1327
Q153	1	1	1	HV00006120	Varistor, MV-203
Q201	1	1	1	HF200551D0	F. E. T., 2SK55D
Q202	1	1	1	HC10019030	I. C., LA1222
Q203	1	1	1	HT310471C0	Transistor, 2SC1047 C
Q204	1	1	1	HC10021010	I. C., HA1137 W
Q205	1	1	1	HT317402B0	Transistor, 2SC1740 R or S
Q206	1	1	1	HD10003020	Diode, 20A90
Q207	1	1	1	HD10003020	Diode, 20A90
Q208	1	1	1	HT317402B0	Transistor, 2SC1740 R or S
Q209	1	1	1	HT317402B0	Transistor, 2SC1740 R or S
Q210	1	1	1	HT313272A0	Transistor, 2SC1327 S or T
Q211	1	1	1	HT317402B0	Transistor, 2SC1740 R or S
Q212	1	1	1	HD20001210	Diode, 1S2473
Q213	1	1	1	HD20001210	Diode, 1S2473
Q214	1	1	1	HD10003020	Diode, 20A90
Q215	1	1	1	HD10003020	Diode, 20A90
Q216	1	1	1	HT310471C0	Transistor, 2SC1047 C
Q217	1	1	1	HD10003020	Diode, 20A90
Q218	1	1	1	HD10003020	Diode, 20A90
Q219	1	1	1	HT317402B0	Transistor, 2SC1740 R or S
Q220	1	1	1	HD10003020	Diode, 20A90
Q221	1	1	1	HD10003020	Diode, 20A90
Q222	1	1	1	HT310471C0	Transistor, 2SC1047 C
Q301	1	1	1	HC10020010	I. C., HA1196
Q302	1	1	1	HT317402B0	Transistor, 2SC1740 R or S
Q303	1	1	1	HT313272A0	Transistor, 2SC1327 S or T
Q304	1	1	1	HT313272A0	Transistor, 2SC1327 S or T
Q305	1	1	1	HT107212A0	Transistor, 2SA721
Q306	1	1	1	HT107212A0	Transistor, 2SA721
Q307	1	1	1	HD20001210	Diode, 1S2473
Q308	1	1	1	HT317402B0	Transistor, 2SC1740 R or S
Q309	1	1	1	HT317402B0	Transistor, 2SC1740 R or S
Q310	1	1	1	HD20001210	Diode, 1S2473
Q311	1	1	1	HD20001210	Diode, 1S2473
R151	1	1	1	GD05561141	Res., 560 Ω \pm 5%, $\frac{1}{4}$ W
R152	1	1	1	GD05331141	Res., 330 Ω \pm 5%, $\frac{1}{4}$ W
R153	1	1	1	GD05272141	Res., 2.7k Ω \pm 5%, $\frac{1}{4}$ W
R154	1	1	1	GD05473141	Res., 47k Ω \pm 5%, $\frac{1}{4}$ W
R155	1	1	1	GD05104141	Res., 100k Ω \pm 5%, $\frac{1}{4}$ W
R156	1	1	1	GD05302141	Res., 3k Ω \pm 5%, $\frac{1}{4}$ W
R157	1	1	1	RA01020210	Trimming Res., 1k Ω Meter Adj.
R158	1	1	1	GD05103141	Res., 10k Ω \pm 5%, $\frac{1}{4}$ W
R159	1	1	1	GD05103141	Res., 10k Ω \pm 5%, $\frac{1}{4}$ W

REF. DESIG.	Q'TY			PART NO.	DESCRIPTION
	U	C	E		
R160	1	1	1	GD05331141	Res., 330Ω ±5%, ¼W
R161	1	1	1	GD05102141	Res., 1kΩ ±5%, ¼W
R162	1	1	1	GD05124141	Res., 120kΩ ±5%, ¼W
R163	1	1	1	GD05303141	Res., 30kΩ ±5%, ¼W
R164	1	1	1	GD05751141	Res., 750 Ω ±5%, ¼W
R165	1	1	1	GD05332141	Res., 3.3kΩ ±5%, ¼W
R166	1	1	1	GD05104141	Res., 100kΩ ±5%, ¼W
R167	1	1	1	GD05101141	Res., 100kΩ ±5%, ¼W
R168	1	1	1	GD05470140	Res., 47Ω ±5%, ¼W
R201	1	1	1	GD05101140	Res., 100Ω ±5%, ¼W
R202	1	1	1	GD05104141	Res., 100kΩ ±5%, ¼W
R203	1	1	1	GD05102141	Res., 1kΩ ±5%, ¼W
R204	1	1	1	GD05221141	Res., 220Ω ±5%, ¼W
R205	1	1	1	GD05331141	Res., 330Ω ±5%, ¼W
R206	1	1	1	GD05152141	Res., 1.5kΩ ±5%, ¼W
R207	1	1	1	GD05222141	Res., 2.2kΩ ±5%, ¼W
R208	1	1	1	GD05221141	Res., 220Ω ±5%, ¼W
R209	1	1	1	GD05222141	Res., 2.2kΩ ±5%, ¼W
R210	1	1	1	GD05331141	Res., 330Ω ±5%, ¼W
R211	1	1	1	GD05331141	Res., 330Ω ±5%, ¼W
R212	1	1	1	GD05331141	Res., 330Ω ±5%, ¼W
R213	1	1	1	GD05123141	Res., 12kΩ ±5%, ¼W
R214	1	1	1	GD05272141	Res., 2.7kΩ ±5%, ¼W
R215	1	1	1	GD05102141	Res., 1kΩ ±5%, ¼W
R216	1	1	1	GD05103141	Res., 10kΩ ±5%, ¼W
R217	1	1	1	GD05153141	Res., 15kΩ ±5%, ¼W
R218	1	1	1	GD05182141	Res., 1.8kΩ ±5%, ¼W
R219	1	1	1	GD05562141	Res., 5.6kΩ ±5%, ¼W
R220	1	1	1	GD05273141	Res., 27kΩ ±5%, ¼W
R221	1	1	1	GD05104141	Res., 100kΩ ±5%, ¼W
R222	1	1	1	GD05101141	Res., 100Ω ±5%, ¼W
R223	1	1	1	GD05102141	Res., 1kΩ ±5%, ¼W
R224	1	1	1	GD05273141	Res., 27kΩ ±5%, ¼W
R225	1	1	1	GD05104141	Res., 100kΩ ±5%, ¼W
R226	1	1	1	GD05564141	Res., 560kΩ ±5%, ¼W
R227	1	1	1	GD05124141	Res., 120kΩ ±5%, ¼W
R228	1	1	1	GD05153141	Res., 15kΩ ±5%, ¼W
R229	1	1	1	GD05562141	Res., 5.6kΩ ±5%, ¼W
R230	1	1	1	GD05393141	Res., 39kΩ ±5%, ¼W
R231	1	1	1	GD05101141	Res., 100Ω ±5%, ¼W
R232	1	1	1	GD05184141	Res., 180kΩ ±5%, ¼W
R233	1	1	1	GD05104141	Res., 100kΩ ±5%, ¼W
R234	1	1	1	GD05152141	Res., 1.5kΩ ±5%, ¼W
R235	1	1	1	GD05272141	Res., 2.7kΩ ±5%, ¼W
R236	1	1	1	GD05391141	Res., 390Ω ±5%, ¼W
R237	1	1	1	GD05104141	Res., 100kΩ ±5%, ¼W
R238	1	1	1	GD05123141	Res., 12kΩ ±5%, ¼W
R239	1	1	1	GD05102141	Res., 1kΩ ±5%, ¼W
R240	1	1	1	GD05473141	Res., 47kΩ ±5%, ¼W
R241	1	1	1	GD05222141	Res., 2.2kΩ ±5%, ¼W
R242	1	1	1	GD05470140	Res., 47Ω ±5%, ¼W
R243	1	1	1	GD05273141	Res., 27kΩ ±5%, ¼W
R244	1	1	1	GD05103141	Res., 10kΩ ±5%, ¼W
R245	1	1	1	GD05273141	Res., 27kΩ ±5%, ¼W
R246	1	1	1	GD05183141	Res., 18kΩ ±5%, ¼W
R248	1	1	1	GD05102141	Res., 1kΩ ±5%, ¼W
R249	1	1	1	GD05202141	Res., 2kΩ ±5%, ¼W
R250	1	1	1	GD05153141	Res., 15kΩ ±5%, ¼W
R251	1	1	1	GD05472141	Res., 4.7kΩ ±5%, ¼W
R252	1	1	1	GD05470141	Res., 47Ω ±5%, ¼W
R253	1	1	1	GD05202141	Res., 2kΩ ±5%, ¼W
R254	1	1	1	GD05102141	Res., 1kΩ ±5%, ¼W
R255	1	1	1	GD05273141	Res., 27kΩ ±5%, ¼W

REF. DESIG.	Q'TY			PART NO.	DESCRIPTION
	U	C	E		
R256	1	1	1	GD05472140	Res., 4.7kΩ ±5%, ¼W
R257	1	1	1	GD05224141	Res., 220kΩ ±5%, ¼W
R258	1	1	1	GD05102141	Res., 1kΩ ±5%, ¼W
R259	1	1	1	GD05101141	Res., 100Ω ±5%, ¼W
R260	1	1	1	GD05103141	Res., 10kΩ ±5%, ¼W
R261	1	1	1	GD05333141	Res., 33kΩ ±5%, ¼W
R262	1	1	1	RA01020210	Trimming Res., 1kΩ, Meter Adj.
R263	1	1	1	GD05101141	Res., 100Ω ±5%, ¼W
R264	1	1	1	GD05223141	Res., 22kΩ ±5%, ¼W
R266	1	1	1	GD05104141	Res., 100kΩ ±5%, ¼W
R267	1	1	1	GD05223141	Res., 22kΩ ±5%, ¼W
R268	1	1	1	GD05470141	Res., 47Ω ±5%, ¼W
R269	1	1	1	GD05392141	Res., 3.9kΩ ±5%, ¼W
R270	1	1	1	GD05104141	Res., 100kΩ ±5%, ¼W
R301	1	1	1	GD05101140	Res., 100Ω ±5%, ¼W
R302	1	1	1	GD05104141	Res., 100kΩ ±5%, ¼W
R303	1	1	1	GD05104141	Res., 100kΩ ±5%, ¼W
R304	1	1	1	GD05104141	Res., 100kΩ ±5%, ¼W
R305	1	1	1	GD05102141	Res., 1kΩ ±5%, ¼W
R306	1	1	1	GD05223140	Res., 22kΩ ±5%, ¼W
R307	1	1	1	RA01030310	Triming Res., 10kΩ 76kHz Adj.
R308	1	1	1	GU05271120	Res., 270Ω ±5%, ¼W
R310	1	1	1	GD05103141	Res., 10kΩ ±5%, ¼W
R311	1	1	1	GD05153141	Res., 15kΩ ±5%, ¼W
R312	1	1	1	GD05153141	Res., 15kΩ ±5%, ¼W
R313	1	1	1	GD05103141	Res., 10kΩ ±5%, ¼W
R314	1	1	1	GD05222141	Res., 2.2kΩ ±5%, ¼W
R315	1	1	1	GD05332141	Res., 3.3kΩ ±5%, ¼W
R316	1	1	1	RA04740020	Trimming Res., 470kΩ Separation Adj.
R317	1	1	1	GD05332141	Res., 3.3kΩ ±5%, ¼W
R318	1	1	1	GD05223141	Res., 22kΩ ±5%, ¼W
R319	1	1	1	GD05224141	Res., 220kΩ ±5%, ¼W
R320	1	1	1	GD05332141	Res., 3.3kΩ ±5%, ¼W
R321	1	1	1	GD05332141	Res., 3.3kΩ ±5%, ¼W
R322	1	1	1	GD05203140	Res., 20kΩ ±5%, ¼W
R322	1	1	1	GD05123140	Res., 12kΩ ±5%, ¼W
R323	1	1	1	GD05203140	Res., 20kΩ ±5%, ¼W
R323	1	1	1	GD05123140	Res., 12kΩ ±5%, ¼W
R324	1	1	1	GD05105141	Res., 1MΩ ±5%, ¼W
R325	1	1	1	GD05333141	Res., 33kΩ ±5%, ¼W
R326	1	1	1	GD05333141	Res., 33kΩ ±5%, ¼W
R327	1	1	1	GD05105141	Res., 1MΩ ±5%, ¼W
R328	1	1	1	GD05103141	Res., 10kΩ ±5%, ¼W
R329	1	1	1	GD05101141	Res., 100Ω ±5%, ¼W
R330	1	1	1	GD05101141	Res., 100Ω ±5%, ¼W
R331	1	1	1	GD05103141	Res., 10kΩ ±5%, ¼W
R332	1	1	1	RA05010050	Trimming Res., 500Ω, Level Adj.
R333	1	1	1	RA05010050	Trimming Res., 500Ω, Level Adj.
R334	1	1	1	GD05122141	Res., 1.2kΩ ±5%, ¼W
R335	1	1	1	GD05222141	Res., 2.2kΩ ±5%, ¼W
R336	1	1	1	GD05222141	Res., 2.2kΩ ±5%, ¼W
R337	1	1	1	GD05122141	Res., 1.2kΩ ±5%, ¼W
R338	1	1	1	GD05101141	Res., 100Ω ±5%, ¼W
R339	1	1	1	GD05101141	Res., 100Ω ±5%, ¼W
R340	1	1	1	GD05101140	Res., 100Ω ±5%, ¼W
R341	1	1	1	GD05101140	Res., 100Ω ±5%, ¼W
R342	1	1	1	GD05473141	Res., 47kΩ ±5%, ¼W

U: For U.S.A.
C: For Canada
E: For Europe

REF. DESIG.	Q'TY			PART NO.	DESCRIPTION
	U	C	E		
R343	1	1	1	GD05473140	Res., 47kΩ ±5%, ¼W
R344	1	1	1	GD05473141	Res., 47kΩ ±5%, ¼W
R345	1	1	1	GD05473140	Res., 47kΩ ±5%, ¼W
R346	1	1	1	GD05103141	Res., 10kΩ ±5%, ¼W
R347	1	1	1	GD05683141	Res., 68kΩ ±5%, ¼W
R348	1	1	1	GD05223141	Res., 22kΩ ±5%, ¼W
R349	1	1	1	GD05303140	Res., 30kΩ ±5%, ¼W
R350	1	1	1	GD05272141	Res., 2.7kΩ ±5%, ¼W
R351	1	1	1	GD05470140	Res., 47Ω ±5%, ¼W
R365	1	1	1	GD05103141	Res., 10kΩ ±5%, ¼W
C401	1	1	1	EE47502510	Cap., Elect., 4.7μF, 25V
C402	1	1	1	EE47502510	Cap., Elect., 4.7μF, 25V
C403	1	1	1	DD15820010	Cap., Ceramic, 82pF
C404	1	1	1	DD15820010	Cap., Ceramic, 82pF
C405	1	1	1	DD15101010	Cap., Ceramic, 100pF
C406	1	1	1	DD15101010	Cap., Ceramic, 100pF
C407	1	1	1	DD15101010	Cap., Ceramic, 100pF
C408	1	1	1	DD15101010	Cap., Ceramic, 100pF
C409	1	1	1	EE33601040	Cap., Elect., 33μF, 10V
C410	1	1	1	EE33601040	Cap., Elect., 33μF, 10V
C411	1	1	1	DF14362020	Cap., Film, 3600pF, 50V
C412	1	1	1	DF14122010	Cap., Film, 1200pF, 50V
C413	1	1	1	DF14122010	Cap., Film, 1200pF, 50V
C414	1	1	1	DF14362020	Cap., Film, 3600pF, 50V
C415	1	1	1	DD11040010	Cap., Ceramic, 4pF, 50V
C416	1	1	1	DD11040010	Cap., Ceramic, 4pF, 50V
C417	1	1	1	EE47502550	Cap., Elect., 4.7μF, 25V
C418	1	1	1	EE47502550	Cap., Elect., 4.7μF, 25V
C419	1	1	1	DF16102010	Cap., Film, 1000pF
C420	1	1	1	DF16102010	Cap., Film, 1000pF
C423	1	1	1	EA47605090	Cap., Elect., 47μF +100%, -10%, 50V
C424	1	1	1	EA47605090	Cap., Elect., 47μF +100%, -10%, 50V
C425	1	1	1	DF15392050	Cap., Film, 3900pF
C426	1	1	1	DF15392050	Cap., Film, 3900pF
J401	1	1	1	YP10001130	Plug
J402	1	1	1	YP10001130	Plug
J403	1	1	1	YP10001130	Plug
J404	1	1	1	YP10001130	Plug
J405	1	1	1	YP10001130	Plug
J406	1	1	1	YP10001130	Plug
J407	1	1	1	YP10001130	Plug
J408	1	1	1	YP10001130	Plug
J409	1	1	1	YP10001130	Plug
J410	1	1	1	YP10001130	Plug
J411	1	1	1	YP10001130	Plug
J412	1	1	1	YP10001130	Plug
J413	1	1	1	YP10001130	Plug
J414	1	1	1	YP10001130	Plug
J415	1	1	1	YP10001130	Plug
J416	1	1	1	YP10001130	Plug
J417	1	1	1	YP10001130	Plug
J418	1	1	1	YP10001130	Plug
J419	1	1	1	YP10001130	Plug

REF. DESIG.	Q'TY			PART NO.	DESCRIPTION
	U	C	E		
J420	1	1	1	YP10001130	Plug
J421	1	1	1	YP10001130	Plug
J422	1	1	1	YP10001130	Plug
J423	1	1	1	YP10001130	Plug
J424	1	1	1	YP10001130	Plug
J425	1	1	1	YP10001130	Plug
J426	1	1	1	YP10001130	Plug
J427	1	1	1	YP10001130	Plug
J428	1	1	1	YP10001130	Plug
J429	1	1	1	YP10001130	Plug
J430	1	1	1	YP10001130	Plug
J431	1	1	1	YP10001130	Plug
J432	1	1	1	YP10001130	Plug
J433	1	1	1	YP10001130	Plug
J434	1	1	1	YP10001130	Plug
J435	1	1	1	YP10001130	Plug
J436	1	1	1	YP10001130	Plug
J437	1	1	1	YP10001130	Plug
J438	1	1	1	YP10001130	Plug
J439	1	1	1	YP10001130	Plug
J440	1	1	1	YP10001130	Plug
J441	1	1	1	YP10001130	Plug
J442	1	1	1	YP10001130	Plug
J443	1	1	1	YP10001130	Plug
J444	1	1	1	YP10001130	Plug
J445	1	1	1	YP10001130	Plug
J446	1	1	1	YP10001130	Plug
P400	1	1	1	YK22130230	P.W. Board, Phono Amp
				ZZ22130230	P.W. Board Assembly
				ZZ22138230	P.W. Board Assembly
Q401	1	1	1	HT108722D0	Transistor, 2SA872A D or E
Q402	1	1	1	HT108722D0	Transistor, 2SA872A D or E
Q403	1	1	1	HT108722D0	Transistor, 2SA872A D or E
Q404	1	1	1	HT108722D0	Transistor, 2SA872A D or E
Q405	1	1	1	HT109122C0	Transistor, 2SA912 S or T
Q406	1	1	1	HT318852D0	Transistor, 2SC1885 S or T
Q407	1	1	1	HT109122C0	Transistor, 2SA912 S or T
Q408	1	1	1	HT318852D0	Transistor, 2SC1885 S or T
R401	1	1	1	RN05823140	Res., Fixed, 82kΩ ±5%, ¼W
R402	1	1	1	RN05823140	Res., Fixed, 82kΩ ±5%, ¼W
R403	1	1	1	RN05124140	Res., Fixed, 120kΩ ±5%, ¼W
R404	1	1	1	RN05124140	Res., Fixed, 120kΩ ±5%, ¼W
R405	1	1	1	RT05222140	Res., Fixed, 2.2kΩ ±5%, ¼W
R406	1	1	1	RT05222140	Res., Fixed, 2.2kΩ ±5%, ¼W
R407	1	1	1	RN05123140	Res., Fixed, 12kΩ ±5%, ¼W
R408	1	1	1	RN05123140	Res., Fixed, 12kΩ ±5%, ¼W
R409	1	1	1	RN05823140	Res., Fixed, 82kΩ ±5%, ¼W
R410	1	1	1	RN05823140	Res., Fixed, 82kΩ ±5%, ¼W
R411	1	1	1	RT02821140	Res., Fixed, 820Ω ±2%, ¼W
R412	1	1	1	RT02821140	Res., Fixed, 820Ω ±2%, ¼W
R413	1	1	1	RT02115140	Res., Fixed, 1.1MΩ ±2%, ¼W
R414	1	1	1	RT02115140	Res., Fixed, 1.1MΩ ±2%, ¼W
R415	1	1	1	RT05683140	Res., Fixed, 68kΩ ±5%, ¼W
R416	1	1	1	RT05683140	Res., Fixed, 68kΩ ±5%, ¼W
R417	1	1	1	RT05431140	Res., Fixed, 430Ω ±5%, ¼W
R418	1	1	1	RT05431140	Res., Fixed, 430Ω ±5%, ¼W
R419	1	1	1	RT05331140	Res., Fixed, 330Ω ±5%, ¼W
R420	1	1	1	RT05331140	Res., Fixed, 330Ω ±5%, ¼W
R421	1	1	1	RT05330140	Res., Fixed, 33Ω ±5%, ¼W
R422	1	1	1	RT05330140	Res., Fixed, 33Ω ±5%, ¼W

REF. DESIG.	Q'TY			PART NO.	DESCRIPTION
	U	C	E		
R423	1	1	1	RT05302140	Res., Fixed, 3kΩ ±5%, ¼W
R424	1	1	1	RT05302140	Res., Fixed, 3kΩ ±5%, ¼W
R425	1	1	1	RT05753140	Res., Fixed, 75kΩ ±5%, ¼W
R426	1	1	1	RT05753140	Res., Fixed, 75kΩ ±5%, ¼W
R427	1	1	1	RT05331140	Res., Fixed, 330Ω ±5%, ¼W
R428	1	1	1	RT05331140	Res., Fixed, 330Ω ±5%, ¼W
R429	1	1	1	RT05274140	Res., Fixed, 270kΩ ±5%, ¼W
R430	1	1	1	RT05274140	Res., Fixed, 270kΩ ±5%, ¼W
R431	1	1	1	RT05470140	Res., Fixed, 47Ω ±5%, ¼W
R432	1	1	1	RT05470140	Res., Fixed, 47Ω ±5%, ¼W
S401			1	SR14060030	Rotary Switch
S401	1	1		SR16060010	Rotary Switch
C701	1	1	1	EE22505040	Cap., Elect., 2.2μF, 50V
C702	1	1	1	DD15101010	Cap., Ceramic, 100pF, 50V
C703	1	1	1	DD15100500	Cap., Ceramic, 10pF, 500V
C704	1	1	1	EA10603590	Cap., Elect., 10μF +50%, -10%, 35V
C705	1	1	1	EE10701640	Cap., Elect., 100μF, 16V
C706	1	1	1	DF17104050	Cap., Film, 0.1μF, 50V
C707	1	1	1	DD15100500	Cap., Ceramic, 10pF, 500V
C708	1	1	1	DK16501500	Cap., Ceramic, 500pF, 500V
C709	1	1	1	DF17104520	Cap., Film, 0.1μF, 200V
C710	1	1	1	DF16104050	Cap., Film, 0.1μF, 50V
C711	1	1	1	DF16104050	Cap., Film, 0.1μF, 50V
C712	1	1	1	EE10601640	Cap., Elect., 10μF, 16V
C713	1	1	1	EE10601640	Cap., Elect., 10μF, 16V
C714	1	1	1	DF17104540	Cap., Film, 0.1μF, 300V
C715	1	1	1	DF17104540	Cap., Film, 0.1μF, 300V
C716	1	1	1	DF17104540	Cap., Film, 0.1μF, 300V
C717	1	1	1	DF17104540	Cap., Film, 0.1μF, 300V
C718	1	1	1	DK16331500	Cap., Ceramic, 330pF, 500V
C719	1	1	1	DK16331500	Cap., Ceramic, 330pF, 500V
C720	1	1	1	EE22505040	Cap., Elect., 2.2μF, 50V
C721	1	1	1	DD15101010	Cap., Ceramic, 100pF, 50V
C722	1	1	1	DD15100500	Cap., Ceramic, 10pF, 500V
C723	1	1	1	EA10603590	Cap., Elect., 10μF +50%, -10%, 35V
C724	1	1	1	EE10701640	Cap., Elect., 100μF, 16V
C725	1	1	1	DF17104050	Cap., Film, 0.1μF, 50V
C726	1	1	1	DD15100500	Cap., Ceramic, 10pF, 500V
C727	1	1	1	DK16501500	Cap., Ceramic, 500pF, 500V
C728	1	1	1	DF17104520	Cap., Film, 0.1μF, 200V
C729	1	1	1	DF16104050	Cap., Film, 0.1μF, 50V
C730	1	1	1	DF16104050	Cap., Film, 0.1μF, 50V
C731	1	1	1	EE10601640	Cap., Elect., 10μF, 16V
C732	1	1	1	EE10601640	Cap., Elect., 10μF, 16V
C733	1	1	1	DF17104540	Cap., Film, 0.1μF, 300V
C734	1	1	1	DF17104540	Cap., Film, 0.1μF, 300V
C735	1	1	1	DF17104540	Cap., Film, 0.1μF, 300V
C736	1	1	1	DF17104540	Cap., Film, 0.1μF, 300V
C737	1	1	1	DK16331500	Cap., Ceramic, 330pF, 500V
C738	1	1	1	DK16331500	Cap., Ceramic, 330pF, 500V
C739	1	1	1	DK16221510	Cap., Ceramic, 220pF, 500V
C740	1	1	1	DK16221510	Cap., Ceramic, 220pF, 500V
C741	1	1	1	DK16221510	Cap., Ceramic, 220pF, 500V
C742	1	1	1	DK16221510	Cap., Ceramic, 220pF, 500V
J709	1	1	1	YP10001130	Plug
J710	1	1	1	YP10001130	Plug
J711	1	1	1	YP10001130	Plug
J712	1	1	1	YP10001130	Plug
J713	1	1	1	YP10001130	Plug
J714	1	1	1	YP10001130	Plug

REF. DESIG.	Q'TY			PART NO.	DESCRIPTION
	U	C	E		
J715	1	1	1	YP10001130	Plug
J716	1	1	1	YP10001130	Plug
J717	1	1	1	YP10001130	Plug
J718	1	1	1	YP10001130	Plug
J719	1	1	1	YP10001130	Plug
J720	1	1	1	YP10001130	Plug
J729	1	1	1	YP10001130	Plug
J730	1	1	1	YP10001130	Plug
J731	1	1	1	YP10001130	Plug
J732	1	1	1	YP10001130	Plug
J733	1	1	1	YP10001130	Plug
J734	1	1	1	YP10001130	Plug
J735	1	1	1	YP10001130	Plug
J736	1	1	1	YP10001130	Plug
J737	1	1	1	YP10001130	Plug
J738	1	1	1	YP10001130	Plug
J739	1	1	1	YP10001130	Plug
J740	1	1	1	YP10001130	Plug
J741	1	1	1	YP10001130	Plug
J742	1	1	1	YP10001130	Plug
J743	1	1	1	YP10001130	Plug
J744	1	1	1	YP10001130	Plug
J760	1	1	1	YP06001040	Plug
J761	1	1	1	YP06001040	Plug
J762	1	1	1	YP06001050	Plug
J763	1	1	1	YP06001050	Plug
L701	1	1	1	LC22220010	Choke Coil, 2.2μH
L702	1	1	1	LC22220010	Choke Coil, 2.2μH
P700	1	1	1	YG22130020	P.W. Board, Main Amp
	1	1	1	ZZ22151020	P.W. Board Assembly
Q701	1	1	1	HT317752E0	Transistor, 2SC1775A E or F
Q702	1	1	1	HT317752E0	Transistor, 2SC1775A E or F
Q703	1	1	1	HT317752E0	Transistor, 2SC1775A E or F
Q704	1	1	1	HT109122D0	Transistor, 2SA912 S or T
Q705	1	1	1	HT109122D0	Transistor, 2SA912 S or T
Q706	1	1	1	HT109142B0	Transistor, 2SA914 R or S
Q707	1	1	1	HT319532B0	Transistor, 2SC1953 R or S
Q708	1	1	1	HT315682B0	Transistor, 2SC1568 R or S
Q709	1	1	1	HT109132B0	Transistor, 2SA913 Q or R
Q710	1	1	1	HT319132B0	Transistor, 2SC1913 Q or R
Q711	1	1	1	HV00005080	Varistor, STV-3HY
Q712	1	1	1	HD30039090	Zener, WZ-240
Q713	1	1	1	HD20011050	Diode, 1S1555
Q714	1	1	1	HD20011050	Diode, 1S1555
Q715	1	1	1	HD20011050	Diode, 1S1555
Q716	1	1	1	HD20011050	Diode, 1S1555
Q717	1	1	1	HD20011050	Diode, 1S1555
Q718	1	1	1	HD20011050	Diode, 1S1555
Q719	1	1	1	HD20011050	Diode, 1S1555
Q720	1	1	1	HD20011050	Diode, 1S1555
Q721	1	1	1	HD20011050	Diode, 1S1555
Q722	1	1	1	HD20011050	Diode, 1S1555
Q723	1	1	1	HT309452A0	Transistor, 2SC945 Q or R
Q724	1	1	1	HT107332B0	Transistor, 2SA733 Q or R
Q725	1	1	1	HD20011010	Diode, W06C
Q726	1	1	1	HD20011010	Diode, W06C
Q731	1	1	1	HT317752E0	Transistor, 2SC1775A E or F
Q732	1	1	1	HT317752E0	Transistor, 2SC1775A E or F
Q733	1	1	1	HT317752E0	Transistor, 2SC1775A E or F
Q734	1	1	1	HT109122D0	Transistor, 2SA912 S or T

U: For U.S.A.
 C: For Canada
 E: For Europe

REF. DESIG.	Q'TY			PART NO.	DESCRIPTION
	U	C	E		
Q735	1	1	1	HT109122D0	Transistor, 2SA912 S or T
Q736	1	1	1	HT109142B0	Transistor, 2SA914 R or S
Q737	1	1	1	HT319532B0	Transistor, 2SC1953 R or S
Q738	1	1	1	HT315682B0	Transistor, 2SC1568 R or S
Q739	1	1	1	HT109132B0	Transistor, 2SA913 Q or R
Q740	1	1	1	HT319132B0	Transistor, 2SC1913 Q or R
Q741	1	1	1	HV00005080	Varistor, STV-3HY
Q742	1	1	1	HD30039090	Zener, WZ-240
Q743	1	1	1	HD20011050	Diode, 1S1555
Q744	1	1	1	HD20011050	Diode, 1S1555
Q745	1	1	1	HD20011050	Diode, 1S1555
Q746	1	1	1	HD20011050	Diode, 1S1555
Q747	1	1	1	HD20011050	Diode, 1S1555
Q748	1	1	1	HD20011050	Diode, 1S1555
Q749	1	1	1	HD20011050	Diode, 1S1555
Q750	1	1	1	HD20011050	Diode, 1S1555
Q751	1	1	1	HD20011050	Diode, 1S1555
Q752	1	1	1	HD20011050	Diode, 1S1555
Q753	1	1	1	HT309452A0	Transistor, 2SC945 Q or R
Q754	1	1	1	HT107332B0	Transistor, 2SA733 Q or R
Q755	1	1	1	HD20011010	Diode, W06C
Q756	1	1	1	HD20011010	Diode, W06C
R701	1	1	1	RT05102140	Res., Fixed, 1kΩ ±5%, ¼W
R702	1	1	1	RT05474140	Res., Fixed, 470kΩ ±5%, ¼W
R703	1	1	1	RT05513140	Res., Fixed, 51kΩ ±5%, ¼W
R704	1	1	1	RT05103140	Res., Fixed, 10kΩ ±5%, ¼W
R705	1	1	1	RT05103140	Res., Fixed, 10kΩ ±5%, ¼W
R706	1	1	1	RT05681140	Res., Fixed, 680Ω ±5%, ¼W
R707	1	1	1	RT05751140	Res., Fixed, 750Ω ±5%, ¼W
R708	1	1	1	RT05181140	Res., Fixed, 180Ω ±5%, ¼W
R709	1	1	1	RT05153140	Res., Fixed, 15kΩ ±5%, ¼W
R710	1	1	1	RT05154140	Res., Fixed, 150kΩ ±5%, ¼W
R711	1	1	1	RT02272140	Res., Fixed, 2.7kΩ ±2%, ¼W
R712	1	1	1	RT05183140	Res., Fixed, 18kΩ ±5%, ¼W
R713	1	1	1	RT05183140	Res., Fixed, 18kΩ ±5%, ¼W
R714	1	1	1	RT05821140	Res., Fixed, 820Ω ±5%, ¼W
R715	1	1	1	RT05821140	Res., Fixed, 820Ω ±5%, ¼W
R716	1	1	1	GF05821140	Res., Fixed, 820Ω ±5%, ¼W
R717	1	1	1	GF05821140	Res., Fixed, 820Ω ±5%, ¼W
R718	1	1	1	GF05151140	Res., Fixed, 150Ω ±5%, ¼W
R719	1	1	1	GF05151140	Res., Fixed, 150Ω ±5%, ¼W
R720	1	1	1	RT05821140	Res., Fixed, 820Ω ±5%, ¼W
R721	1	1	1	RT05151140	Res., Fixed, 150Ω ±5%, ¼W
R722	1	1	1	RT05151140	Res., Fixed, 150Ω ±5%, ¼W
R723	1	1	1	RT02623140	Res., Fixed, 62kΩ ±2%, ¼W
R724	1	1	1	GJ05100030	Res., Fixed, 10Ω ±5%, 3W
R725	1	1	1	GJ05222010	Res., Fixed, 2.2kΩ ±5%, 1W
R726	1	1	1	RA02020130	Res., Semifixed, 2kΩ(B)
R727	1	1	1	RA03010020	Res., Semifixed, 300Ω(B)
R728	1	1	1	GJ05022010	Res., Fixed, 2.2Ω ±5%, 1W
R729	1	1	1	GJ05022010	Res., Fixed, 2.2Ω ±5%, 1W
R730	1	1	1	RT05331140	Res., Fixed, 330Ω ±5%, ¼W
R731	1	1	1	RT05331140	Res., Fixed, 330Ω ±5%, ¼W
R732	1	1	1	RT05221140	Res., Fixed, 220Ω ±5%, ¼W
R733	1	1	1	RT05221140	Res., Fixed, 220Ω ±5%, ¼W
R734	1	1	1	RT05301140	Res., Fixed, 300Ω ±5%, ¼W
R735	1	1	1	RT05301140	Res., Fixed, 300Ω ±5%, ¼W
R736	1	1	1	RT05153140	Res., Fixed, 15kΩ ±5%, ¼W
R737	1	1	1	RT05153140	Res., Fixed, 15kΩ ±5%, ¼W
R738	1	1	1	RT05333140	Res., Fixed, 33kΩ ±5%, ¼W
R739	1	1	1	GF05331120	Res., Fixed, 330Ω ±5%, ¼W

REF. DESIG.	Q'TY			PART NO.	DESCRIPTION
	U	C	E		
R740	1	1	1	GJ05022020	Res., Fixed, 2.2Ω ±5%, 2W
R741	1	1	1	GF05100140	Res., Fixed, 10Ω ±5%, ¼W
R742	1	1	1	GF05100140	Res., Fixed, 10Ω ±5%, ¼W
R743	1	1	1	GW10332050	Res., Fixed, 0.33Ω ±10%, 5W
R744	1	1	1	GW10332050	Res., Fixed, 0.33Ω ±10%, 5W
R745	1	1	1	GW10332050	Res., Fixed, 0.33Ω ±10%, 5W
R746	1	1	1	GW10332050	Res., Fixed, 0.33Ω ±10%, 5W
R747	1	1	1	RT05561140	Res., Fixed, 560Ω ±5%, ¼W
R751	1	1	1	RT05102140	Res., Fixed, 1kΩ ±5%, ¼W
R752	1	1	1	RT05474140	Res., Fixed, 470kΩ ±5%, ¼W
R753	1	1	1	RT05513140	Res., Fixed, 51kΩ ±5%, ¼W
R754	1	1	1	RT05103140	Res., Fixed, 10kΩ ±5%, ¼W
R755	1	1	1	RT05103140	Res., Fixed, 10kΩ ±5%, ¼W
R756	1	1	1	RT05681140	Res., Fixed, 680Ω ±5%, ¼W
R757	1	1	1	RT05751140	Res., Fixed, 750Ω ±5%, ¼W
R758	1	1	1	RT05181140	Res., Fixed, 180Ω ±5%, ¼W
R759	1	1	1	RT05153140	Res., Fixed, 15kΩ ±5%, ¼W
R760	1	1	1	RT05154140	Res., Fixed, 150kΩ ±5%, ¼W
R761	1	1	1	RT02272140	Res., Fixed, 2.7kΩ ±2%, ¼W
R762	1	1	1	RT05183140	Res., Fixed, 18kΩ ±5%, ¼W
R763	1	1	1	RT05183140	Res., Fixed, 18kΩ ±5%, ¼W
R764	1	1	1	RT05821140	Res., Fixed, 820Ω ±5%, ¼W
R765	1	1	1	RT05821140	Res., Fixed, 820Ω ±5%, ¼W
R766	1	1	1	GF05821140	Res., Fixed, 820Ω ±5%, ¼W
R767	1	1	1	GF05821140	Res., Fixed, 820Ω ±5%, ¼W
R768	1	1	1	GF05151140	Res., Fixed, 150Ω ±5%, ¼W
R769	1	1	1	GF05151140	Res., Fixed, 150Ω ±5%, ¼W
R770	1	1	1	RT05821140	Res., Fixed, 820Ω ±5%, ¼W
R771	1	1	1	RT05151140	Res., Fixed, 150Ω ±5%, ¼W
R772	1	1	1	RT05151140	Res., Fixed, 150Ω ±5%, ¼W
R773	1	1	1	RT02623140	Res., Fixed, 62kΩ ±2%, ¼W
R774	1	1	1	GJ05100030	Res., Fixed, 10Ω ±5%, 3W
R775	1	1	1	GJ05222010	Res., Fixed, 2.2kΩ ±5%, 1W
R776	1	1	1	RA02020130	Res., Semifixed, 2kΩ(B)
R777	1	1	1	RA03010020	Res., Semifixed, 300Ω(B)
R778	1	1	1	GJ05022010	Res., Fixed, 2.2Ω ±5%, 1W
R779	1	1	1	GJ05022010	Res., Fixed, 2.2Ω ±5%, 1W
R780	1	1	1	RT05331140	Res., Fixed, 330Ω ±5%, ¼W
R781	1	1	1	RT05331140	Res., Fixed, 330Ω ±5%, ¼W
R782	1	1	1	RT05221140	Res., Fixed, 220Ω ±5%, ¼W
R783	1	1	1	RT05221140	Res., Fixed, 220Ω ±5%, ¼W
R784	1	1	1	RT05301140	Res., Fixed, 300Ω ±5%, ¼W
R785	1	1	1	RT05301140	Res., Fixed, 300Ω ±5%, ¼W
R786	1	1	1	RT05153140	Res., Fixed, 15kΩ ±5%, ¼W
R787	1	1	1	RT05153140	Res., Fixed, 15kΩ ±5%, ¼W
R788	1	1	1	RT05333140	Res., Fixed, 33kΩ ±5%, ¼W
R789	1	1	1	GF05331120	Res., Fixed, 330Ω ±5%, ¼W
R790	1	1	1	GJ05022020	Res., Fixed, 2.2Ω ±5%, 2W
R791	1	1	1	GF05100140	Res., Fixed, 10Ω ±5%, ¼W
R792	1	1	1	GF05100140	Res., Fixed, 10Ω ±5%, ¼W
R793	1	1	1	GW10332050	Res., Fixed, 0.33Ω ±10%, 5W
R794	1	1	1	GW10332050	Res., Fixed, 0.33Ω ±10%, 5W
R795	1	1	1	GW10332050	Res., Fixed, 0.33Ω ±10%, 5W
R796	1	1	1	GW10332050	Res., Fixed, 0.33Ω ±10%, 5W
R797	1	1	1	RT05561140	Res., Fixed, 560Ω ±5%, ¼W
C801	1	1	1	EA47706310	Cap., Elect., 470μF, 63V
C802	1	1	1	EA33706310	Cap., Elect., 330μF, 63V
C803	1	1	1	EA10701690	Cap., Elect., 100μF, 16V
C804	1	1	1	EA10605090	Cap., Elect., 10μF, 50V
C805	1	1	1	DK17103010	Cap., Ceramic, 0.01μF
C806	1	1	1	EA10602590	Cap., Elect., 10μF, 25V

REF. DESIG.	Q'TY			PART NO.	DESCRIPTION
	U	C	E		
C807	1	1	1	DK17103010	Cap., Ceramic, 0.01μF
C808	1	1	1	DK17103010	Cap., Ceramic, 0.01μF
C809	1	1	1	EA33705090	Cap., Elect., 330μF, 50V
C810	1	1	1	EA47701690	Cap., Elect., 470μF, 16V
C811	1	1	1	DK17103010	Cap., Ceramic, 0.01μF
C812	1	1	1	EA10605090	Cap., Elect., 10μF, 50V
C813	1	1	1	EA10701690	Cap., Elect., 100μF, 16V
C814	1	1	1	DK17103010	Cap., Ceramic, 0.01μF
C815	1	1	1	EA10702590	Cap., Elect., 100μF, 25V
C816	1	1	1	DK17103010	Cap., Ceramic, 0.01μF
C817	1	1	1	EA47505090	Cap., Elect., 4.7μF, 50V
C818	1	1	1	EA10701690	Cap., Elect., 100μF, 16V
C819	1	1	1	EA22701090	Cap., Elect., 220μF, 10V
C820	1	1	1	EA47701690	Cap., Elect., 470μF, 16V
C821	1	1	1	DK18103510	Cap., Ceramic, 0.01μF
C822	1	1	1	DK18103510	Cap., Ceramic, 0.01μF
J801	1	1	1	YP10001130	Plug
J802	1	1	1	YP10001130	Plug
J803	1	1	1	YP10001130	Plug
J804	1	1	1	YP10001130	Plug
J805	1	1	1	YP10001130	Plug
J806	1	1	1	YP10001130	Plug
J807	1	1	1	YP10001130	Plug
J808	1	1	1	YP10001130	Plug
J809	1	1	1	YP10001130	Plug
J810	1	1	1	YP10001130	Plug
J811	1	1	1	YP10001130	Plug
J812	1	1	1	YP10001130	Plug
J813	1	1	1	YP10001130	Plug
J814	1	1	1	YP10001130	Plug
J815	1	1	1	YP10001130	Plug
J816	1	1	1	YP10001130	Plug
J817	1	1	1	YP10001130	Plug
J818	1	1	1	YP10001130	Plug
J819	1	1	1	YP10001130	Plug
J820	1	1	1	YP10001130	Plug
L801	1	1	1	LY40240050	Relay
P800	1	1	1	YK22130240	P.W. Board, Power Supply
	1	1	1	ZZ22130240	P.W. Board Assembly
Q801	1	1	1	HT315672A0	Transistor, 2SC1567 P or Q
Q802	1	1	1	HT313183A0	Transistor, 2SC1318 P, Q or R
Q803	1	1	1	HT107942A0	Transistor, 2SA794 P or Q
Q804	1	1	1	HT106842B0	Transistor, 2SA684 Q or R
Q805	1	1	1	HD30047090	Zener, WZ-192, 19V
Q806	1	1	1	HT313842A0	Transistor, 2SC1384 P or Q
Q807	1	1	1	HT106842A0	Transistor, 2SA684 P or Q
Q808	1	1	1	HT403302A0	Transistor, 2SD330 D or E
Q809	1	1	1	HT30027090	Transistor, WZ-140, 14V
Q810	1	1	1	HT309452A0	Transistor, 2SC945 Q or R
Q811	1	1	1	HT313183A0	Transistor, 2SC1318 P, Q or R
Q812	1	1	1	HT313183A0	Transistor, 2SC1318 P, Q or R
Q813	1	1	1	HD20003210	Diode, 1S-2471
Q814	1	1	1	HD20001210	Diode, 1S-2473
Q815	1	1	1	HD20013100	Diode, 10D-1
Q816	1	1	1	HD20011030	Diode, DS131-B
Q817	1	1	1	HD20012030	Diode, DS132-B
Q818	1	1	1	HD20011030	Diode, DS131-B
R801	1	1	1	GF05100140	Res., Fixed, 10Ω ±5%, ¼W
R802	1	1	1	RT05821140	Res., Fixed, 820Ω ±5%, ¼W

REF. DESIG.	Q'TY			PART NO.	DESCRIPTION
	U	C	E		
R803	1	1	1	RT05821140	Res., Fixed, 820Ω ±5%, ¼W
R804	1	1	1	RT05222140	Res., Fixed, 2.2kΩ ±5%, ¼W
R805	1	1	1	RT05752140	Res., Fixed, 7.5kΩ ±5%, ¼W
R806	1	1	1	RT05103140	Res., Fixed, 10kΩ ±5%, ¼W
R807	1	1	1	RT05203140	Res., Fixed, 20kΩ ±5%, ¼W
R808	1	1	1	RT05434140	Res., Fixed, 430kΩ ±5%, ¼W
R809	1	1	1	GF05470140	Res., Fixed, 47Ω ±5%, ¼W
R810	1	1	1	RT05821140	Res., Fixed, 820Ω ±5%, ¼W
R811	1	1	1	RT05821140	Res., Fixed, 820Ω ±5%, ¼W
R812	1	1	1	RT05183140	Res., Fixed, 18kΩ ±5%, ¼W
R813	1	1	1	RT05103140	Res., Fixed, 10kΩ ±5%, ¼W
R814	1	1	1	RT05752140	Res., Fixed, 7.5kΩ ±5%, ¼W
R815	1	1	1	GF05301140	Res., Fixed, 300Ω ±5%, ¼W
R816	1	1	1	GF05242140	Res., Fixed, 2.4kΩ ±5%, ¼W
R817	1	1	1	RT05101140	Res., Fixed, 100Ω ±5%, ¼W
R818	1	1	1	GS10151050	Res., Fixed, 150Ω ±10%, 5W
R819	1	1	1	GF05301140	Res., Fixed, 300Ω ±5%, ¼W
R820	1	1	1	RT05512140	Res., Fixed, 5.1kΩ ±5%, ¼W
R821	1	1	1	RT05164140	Res., Fixed, 160kΩ ±5%, ¼W
R822	1	1	1	RT05393140	Res., Fixed, 39kΩ ±5%, ¼W
R823	1	1	1	GJ05681010	Res., Fixed, 680Ω ±5%, 1W
R824	1	1	1	RT05103140	Res., Fixed, 10kΩ ±5%, ¼W
R825	1	1	1	RT05433140	Res., Fixed, 43kΩ ±5%, ¼W
R826	1	1	1	RT05333140	Res., Fixed, 33kΩ ±5%, ¼W
R827	1	1	1	GU05562120	Res., Fixed, 5.6kΩ ±5%, ½W
R828	1	1	1	GU05562120	Res., Fixed, 5.6kΩ ±5%, ½W

12. TECHNICAL SPECIFICATIONS

[FOR U.S.A. MODEL ONLY]

AMPLIFIER SECTION:

RATED POWER OUTPUT, MINIMUM CONTINUOUS AVERAGE POWER PER CHANNEL, BOTH CHANNELS DRIVEN	130 W
POWER BAND	20 Hz to 20 kHz
TOTAL HARMONIC DISTORTION	0.05%
LOAD IMPEDANCE	8 ohms
RATED POWER OUTPUT, MINIMUM CONTINUOUS AVERAGE POWER PER CHANNEL, BOTH CHANNELS DRIVEN	165 W
POWER BAND	20 Hz to 20 kHz
TOTAL HARMONIC DISTORTION	0.1%
LOAD IMPEDANCE	4 ohms

I.M. Distortion
(I.H.F. method, 60 Hz and 70 kHz mixed 4:1 at rated power output)

at 8 ohm load impedance	0.05%
at 4 ohm load impedance	0.1%
Damping Factor (at 20 Hz)	60
Sensitivity (at MAIN IN)	1.5 V
Impedance (at MAIN IN)	33 kohms
Frequency Response for Power Amp Only (at 1 Watt output, 20 Hz to 20 kHz)	±0.2 dB

PREAMPLIFIER SECTION:

Phono

Input Overload at 1 kHz	200 mV
Equivalent Input Noise	1.0 μ V
Dynamic Range (Dynamic Range is the ratio of input overload to equivalent input noise)	106 dB
Input Sensitivity	1.8 mV
Input Impedance	47 kohms
Input Capacitance	100 pF
Frequency Response, RIAA 20 Hz to 20 kHz	±0.5 dB
Signal-to-Noise Ratio (at rated output and 7.75 mV input)	78 dB

High Level (Aux and Tape)

Input Sensitivity	180 mV
Input Impedance	20 kohms
Frequency Response (includes power amp)	10 Hz to 60 kHz ±1.0 dB
Signal-to-Noise Ratio (ref. to rated output and 775 mV input)	95 dB

Output Levels

Tape Out (ref. 7.75 mV at Phono inputs)	775 mV
Pre-Out (ref. 180 mV at Aux inputs) (ref. 500 mV at Aux inputs, main amp disconnected)	1.5 V 4.2 V

Output Impedance

Tape Out	600 ohms
Pre-Out	900 ohms

FM TUNER SECTION:

Sensitivity	
IHF Usable	10.3 dBf (1.8 μ V)
IHF 50 dB Quieting (Mono)	14.8 dBf (3.0 μ V)
(Stereo)	36 dBf (35 μ V)
Quieting Slope (Mono)	
RF Input for 30 dB Quieting	7.5 dBf (1.3 μ V)
Quieting at:	
20 dBf (5.5 μ V)	58 dB
25 dBf (10 μ V)	63 dB
40 dBf (55 μ V)	72 dB
65 dBf (1000 μ V)	78 dB
Quieting Slope (Stereo)	
Quieting at:	
30 dBf (17 μ V)	43 dB
40 dBf (55 μ V)	53 dB
50 dBf (173 μ V)	60 dB
65 dBf (1000 μ V)	70 dB
Distortion (Mono) at 65 dBf (1000 μ V)	
100 Hz	0.2%
1000 Hz	0.1%
6000 Hz	0.3%
Distortion (Stereo) at 65 dBf (1000 μ V)	
100 Hz	0.35%
1000 Hz	0.3%
6000 Hz	0.5%

Distortion (Mono and Stereo)	
at 50 dB Quieting, 1000 Hz	0.6%
Hum and Noise	
at 65 dBf (1000 μ V)	
Mono	78 dB
Frequency Response	
30 Hz to 15 kHz	
Mono	+0.2 dB, -1.0 dB
Stereo	±1.5 dB
Capture Ratio at 65 dBf (1000 μ V)	1.0 dB
Alternate Channel Selectivity	80 dB
Spurious Response Rejection	100 dB
Image Response Rejection	90 dB
I.F. Rejection (Balanced)	100 dB
A.M. Suppression	57 dB
Stereo Separation	
100 Hz	42 dB
1000 Hz	50 dB
10 kHz	42 dB
Subcarrier Rejection	70 dB

AM TUNER SECTION:

IHF Usable Sensitivity	10 μ V
Distortion (THD), 30% Modulation	0.4%
Signal-to-Noise Ratio	54 dB
Alternate Channel Selectivity	46 dB
Image Rejection	75 dB
Spurious Response Rejection	85 dB
I.F. Rejection	75 dB

GENERAL:

Power Requirements	120 V AC 60 Hz
Power Consumption at rated output, both channels operating	340 W
Idling Power (Volume Control at zero)	50 W
Dimensions:	
Panel Width	490 mm (19-1/4")
Panel Height	146 mm (5-3/4")
Depth	386 mm (15-1/4")
Weight:	
Unit alone	22.0 kg (48.4 lbs)
Packed for Shipment	24.9 kg (54.8 lbs)

[FOR EUROPEAN MODEL ONLY]

AUDIO SECTION:

POWER OUTPUT AT 1% DISTORTION	180 W
RATED POWER OUTPUT, 1 kHz	180 W
TOTAL HARMONIC DISTORTION AT RATED POWER OUTPUT, 1 kHz	0.1%
I.M. DISTORTION AT RATED POWER OUTPUT (I.H.F. METHOD, 300 Hz AND 10 kHz MIXED 4:1 AT RATED POWER OUTPUT)	0.1%
POWER BANDWIDTH (½ RATED POWER OUTPUT)	8 Hz — 80 kHz
LOAD IMPEDANCE	4 ohms
POWER OUTPUT AT 1% DISTORTION	143 W
RATED POWER OUTPUT, 1 kHz	143 W
TOTAL HARMONIC DISTORTION AT RATED POWER OUTPUT, 1 kHz	0.05%
I.M. DISTORTION AT RATED POWER OUTPUT (I.H.F. METHOD, 300 Hz AND 10 kHz MIXED 4:1 AT RATED POWER OUTPUT)	0.1%
POWER BANDWIDTH (½ RATED POWER OUTPUT)	8 Hz — 80 kHz
LOAD IMPEDANCE	8 ohms

Damping Factor, Speaker Output	
40 Hz	60
1 kHz	60
12.5 kHz	45
Frequency Response	
Phono ±2 dB	18 Hz — 30 kHz
Aux ±1.5 dB	10 Hz — 40 kHz
Main In ±1.5 dB	8 Hz — 45 kHz
Signal-to-Noise Ratio, 1 kHz	
Phono	80 dB
Aux	90 dB
Main In	55 dB
Input Sensitivity, 1 kHz (Rated Input Voltage)	
Phono	1.8 mV
Aux	180 mV
Main In	1.5 V
Input Impedance, 1 kHz	
Phono	47 kohms
Aux	20 kohms
Main In	40 kohms
Phono Equivalent Noise	1.8 µV
Phono Dynamic Range	98 dB
Phono Input Capacitance	100 pF
Channel Balance	
Phono 0 — -40 dB	2.5 dB
Aux 40 Hz — 16 kHz	2.0 dB
Main In	1.0 dB
Interchannel Crosstalk	
Phono 1 kHz	45 dB
250 Hz — 10 kHz	35 dB
Aux 1 kHz	50 dB
250 Hz — 10 kHz	33 dB
Tape 1 kHz	50 dB
250 Hz — 10 kHz	33 dB
Main In 1 kHz	55 dB
250 Hz — 10 kHz	50 dB
Intersource Crosstalk (Worst Point)	
1 kHz	45 dB
250 Hz — 10 kHz	33 dB
Output Voltage, 1 kHz	
Tape Out	0.18 V
Pre-Out	1.5 V
Output Impedance, 1 kHz	
Tape Out	500 ohms
Pre Out	200 ohms
Overload Margin, 1 kHz	
Phono	40 dB
Aux	50 dB
Power Consumption	
Idling	65 W
Rated Power, 1 kHz	550 W

FM TUNER SECTION:

Frequency Range	87.5 — 108 MHz
Usable Sensitivity 40 kHz Deviation, 98 MHz	
Mono, S/N 26 dB	1.3 µV
Stereo, S/N 46 dB	42 µV
Alternate Channel Selectivity, 98 MHz ±300 kHz	67 dB
Image Response Rejection, 98 MHz	90 dB
IF Rejection, 98 MHz	80 dB
Spurious Response Rejection, 98 MHz	90 dB
AM Suppression, 98 MHz	55 dB

Signal-to-Noise Ratio, 98 MHz	
Unweighted: Mono	65 dB
Stereo	62 dB
Weighted: Mono	69 dB
Stereo	65 dB
Pilot Signal & Subcarrier Rejection	
19 kHz	65 dB
38 kHz	70 dB
Total Harmonic Distortion, 98 MHz	
Mono	0.15%
Stereo	0.25%
Frequency Response	
30 Hz — 15 kHz	+0.2, -1.0 dB
Separation	
250 Hz — 6.3 kHz	43 dB
6.3 — 12.5 kHz	38 dB
Channel Balance	0.3 dB
Output Voltage, 1 kHz	910 mV
Output Impedance, 1 kHz	150 ohms
Acceptable Load Impedance, 1 kHz	47 kohms
Antenna Terminals	
Balanced	300 ohms
Unbalanced	75 ohms

AM TUNER SECTION:

Frequency Range	515 — 1650 kHz
Usable Sensitivity (26 dB S/N 30% Mod., 1 MHz)	20 µV
Selectivity, 1 MHz ±9 kHz	20 dB
Image Rejection, 1 MHz	43 dB
IF Rejection, 1 MHz	23 dB
Spurious Response Rejection, 1 MHz	85 dB
Signal-to-Noise Ratio, 1 MHz	55 dB
Frequency Response, 1 MHz ±3 dB	40 Hz — 2.3 kHz
Total Harmonic Distortion, 1 MHz	0.4%

GENERAL:

Power Requirements	220 V AC, 50 Hz
(E and N versions are featuring an external voltage selector for use on 110/120/240 V. Other versions can be converted by a qualified technician to operate on 110/120/240 V.)	
Power Consumption at Rated Output, Both Channels	
Operating	550 W ± 60 W
Idling Power	65 W ± 20 W
Semiconductor Complement	
Integrated Circuits	4
Transistors	82
Diodes	62
Field Effect Transistors	3
Dimensions	
Panel Width	19-1/4" (490 mm)
Panel Height	5-3/4" (146 mm)
Depth	15-1/4" (386 mm)
Weight	
Unit alone	48.4 lbs (22.0 kg)
Packed for shipment	54.8 lbs (24.9 kg)